

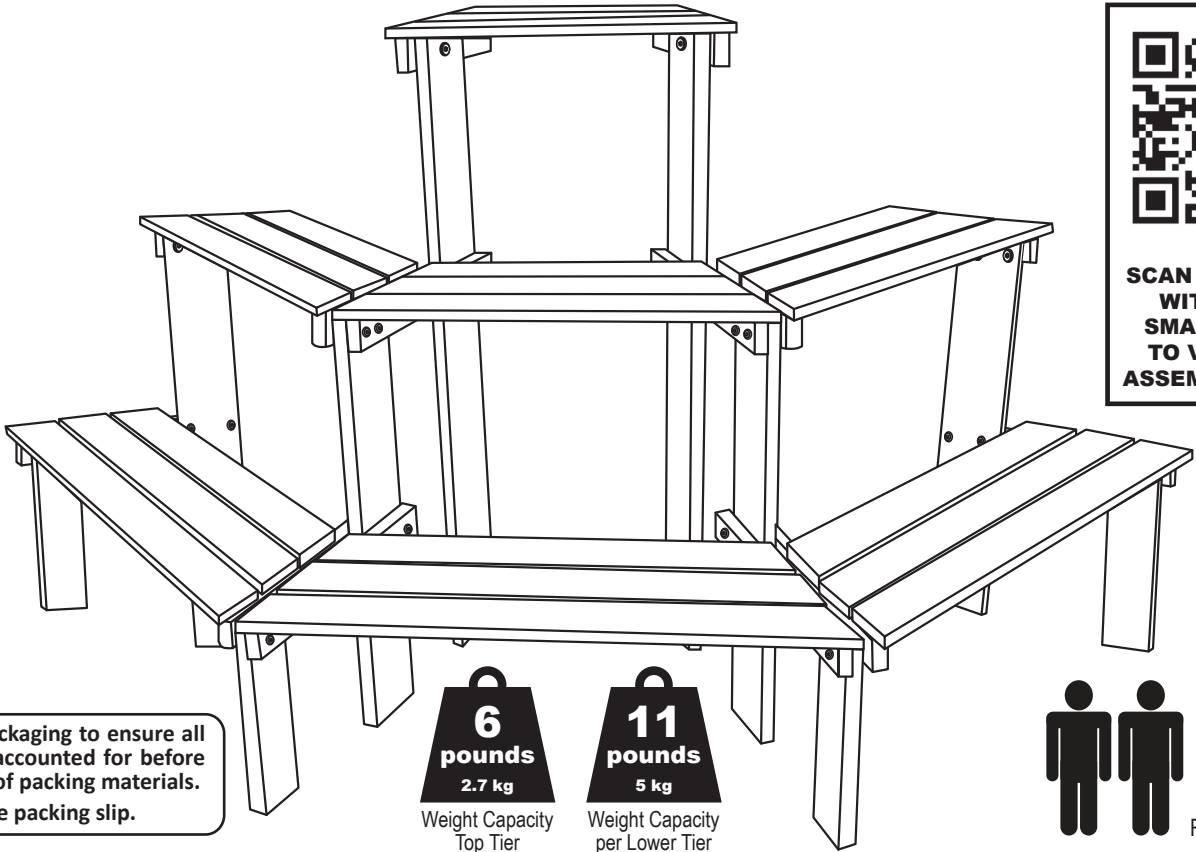
Thank you for choosing Sunnydaze Decor. We stand behind our brand and the quality of the items we sell. Replacement parts or products can be requested with the 1-year warranty period. Proof of purchase must be provided. This includes the date of the purchase as well as photos of the product defect. Photos are used to determine the cause of the defect and to provide future quality control. The request will be reviewed, and replacement pieces will be sent at our discretion. For warranty information, visit <https://tiny.cc/SunnydazeWarranty>



If you have any questions, comments or concerns, feel free to contact us by phone at 833-982-1977, by email: [customerservice@sunnydazedecor.com](mailto:customerservice@sunnydazedecor.com), or via our contact us page at <https://tiny.cc/SunnydazeContact>

# 3-TIER MERANTI WOOD PLANT STAND

## LAM-669

Review all assembly and care information before using this product. Save this manual for future reference.  
**Assemble components on a soft, clean surface to avoid damaging the finish.**

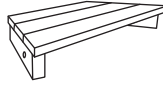
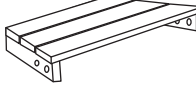
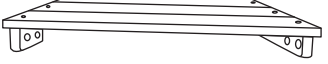
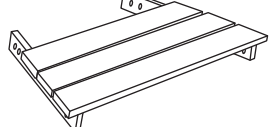
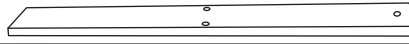
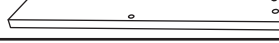




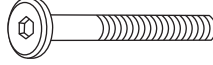

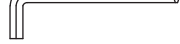
 Inspect packaging to ensure all parts are accounted for before disposing of packing materials.  
 Save the packing slip.

**6 pounds**  
2.7 kg  
Weight Capacity Top Tier

**11 pounds**  
5 kg  
Weight Capacity per Lower Tier

 2-PERSON ASSEMBLY RECOMMENDED

| NO. | PARTS                                                                                               | QTY. |
|-----|-----------------------------------------------------------------------------------------------------|------|
| A   |  Top Shelf       | 1    |
| B   |  Side Shelf      | 2    |
| C   |  Center Shelf    | 1    |
| D   |  Bottom Shelf    | 3    |
| E   |  Top Tier Leg    | 2    |
| F   |  Middle Tier Leg | 4    |
| G   |  Bottom Tier Leg | 4    |

| NO. | HARDWARE                                                                                                  | QTY. |
|-----|-----------------------------------------------------------------------------------------------------------|------|
| H   |  JCBC 50mm Bolt       | 10   |
| I   |  JCBC 35mm Bolt       | 16   |
| J   |  Joint Connector Nut | 26   |
| K   |  Hex Key              | 2    |

**NOTE:** Save the included tool. Wood expands and contracts with changes in temperature and moisture, which may require hardware to be tightened.

**! WARNING !**  
**CHOKING HAZARD** — This item contains small parts that can be swallowed. Keep children and pets away during assembly.

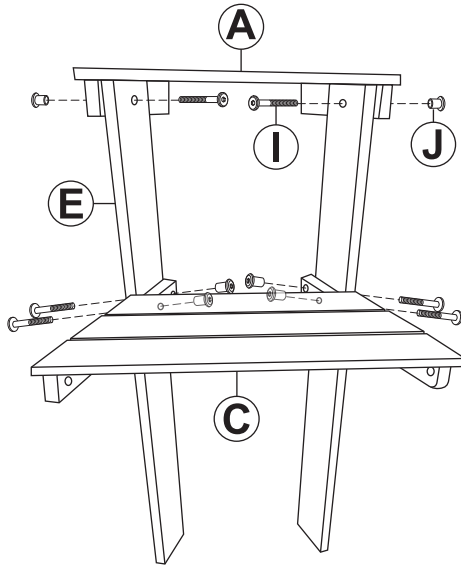
# ASSEMBLY

Review all steps and understand assembly before beginning.

**Do not fully tighten hardware until all components have been loosely assembled.**

## STEP 1

- A: 1
- C: 1
- E: 2
- I: 6
- J: 6

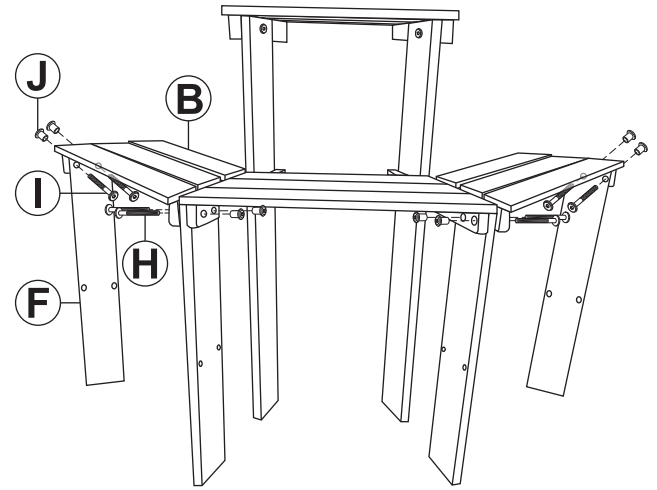


Fasten two Top Tier Legs (E) to the inside of Top Shelf (A) by hand-tightening two 35mm Bolts (I) and two Joint Connector Nuts (J).

Attach Center Shelf (C) to the inside middle of top shelf legs using four 35mm Bolts (I) and four Joint Connector Nuts (J).

## STEP 2

- B: 2
- F: 4
- H: 4
- I: 4
- J: 8



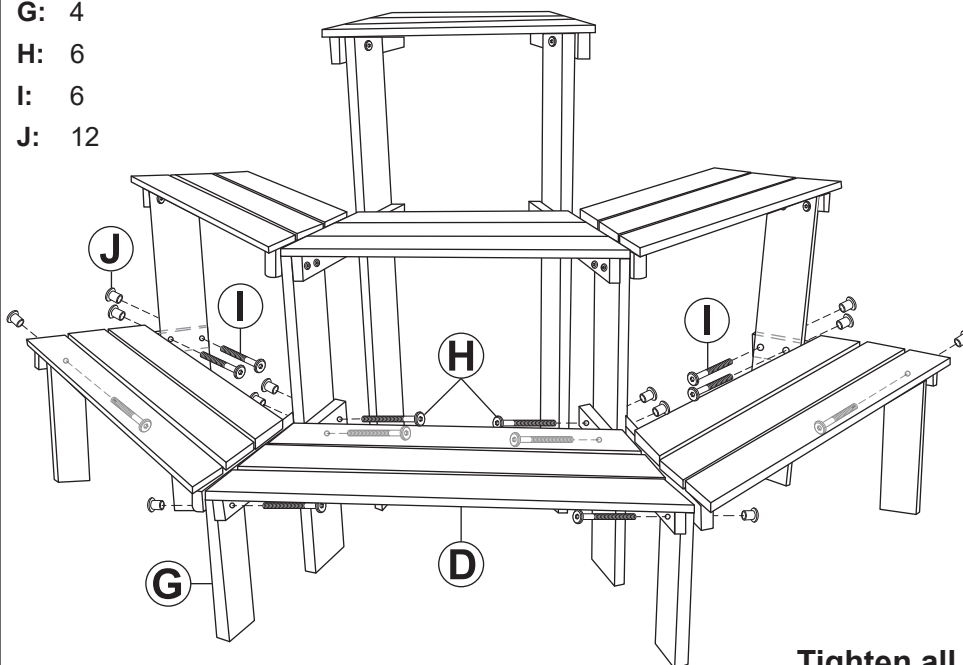
Attach Middle Tier Leg (F) to the inside of the outer edge of Side Shelf (B) using two 35mm Bolts (I) and two Joint Connector Nuts (J).

Fasten the side shelf and Middle Tier Leg (F) to the left side of the middle shelf by hand-tightening two 50mm Bolts (H) and two Joint Connector Nuts (J).

Repeat this step to secure the remaining middle tier components to the right side.

## STEP 3

- D: 3
- G: 4
- H: 6
- I: 6
- J: 12



Align Bottom Tier Leg (G) with the front, left, inside edge of Bottom Shelf (D). Loosely secure by hand-tightening one 35mm Bolt (I) and one Joint Connector Nut (J).

Connect the bottom shelf to the outside of the left-most middle tier leg using two 35mm Bolts (I) and two Joint Connector Nuts (J).

Align the second Bottom Shelf (D) between the center-most middle tier legs. Use two 50mm Bolts (H) and two Joint Connector Nuts (J) to secure the left side of both shelves to the middle tier leg.

Slide the second Bottom Tier Leg (G) between the assembled shelves and secure using one 35mm Bolt (I) and one Joint Connector Nut (J).

Repeat this step to secure the remaining bottom tier components to the right side.

**Tighten all hardware after this step is complete.**

# Care & Maintenance

**INSPECT:** Periodically check assembly points and tighten fittings as necessary.

**PROTECT:** Ensure there is a barrier, such as saucers or water trays, between planters and the wood. Runoff from over-watering could stain the wood.

**EXPOSURE:** Over time, sunlight and weather elements may change the color of natural wood. Avoid leaving wooden furniture in the rain or high-humidity climates as wood can expand and contract with humidity changes; you may need to tighten fittings periodically. If this item is not used for extended periods, we recommend covering or storing it indoors.

**WINTER CARE & STORAGE:** Protect this item from ice and snow. Store in a dry, indoor location. Covering the unit while in storage will help prevent dust buildup.

**MAINTENANCE:** This item was treated with teak oil at the factory. To maintain the appearance, apply a suitable penetrating Wood, Teak or Linseed Oil (not included) yearly, or when the wood looks particularly dry. Clean the unit and bring into a warm, indoors location. Allow the unit to thoroughly dry before applying oil; drying may take several days. Only apply oil to wooden surfaces. Use a soft cloth or soft brush and carefully apply oil as directed by the wood oil manufacturer.

**WARNING:** THE ONE-YEAR WARRANTY DOES NOT COVER DAMAGES OR DEFECTS CAUSED BY THE APPLICATION OF CHEMICAL TREATMENTS, PROTECTIVE COATINGS, TOUCH-UP PAINT, OR CLEANING PRODUCTS.

## Cleaning

*Do not use harsh chemicals or abrasive materials to clean the furniture.*



HAND-WASH ONLY



DO NOT USE BLEACH



DO NOT USE A PRESSURE WASHER

Identify the direction of the woodgrain. Following the direction of the woodgrain, use a soft cloth or a soft-bristled brush, like a paintbrush, to remove loose dust, dirt and debris.

## SAFETY STATEMENTS & WARNINGS

- Do not sit, stand, or climb on any part of this unit.
- Do not exceed the weight capacity of the unit.
- Do not put hot items on or near furniture.
- Keep furniture a safe distance from heat sources such as fire pits, patio heaters, and grills.
- Do not use harsh chemicals or abrasive materials to clean this unit.
- This product is for residential use only; institutional or commercial use will automatically void the product warranty.

**Any modification to the product or failure to follow recommended care will void the product warranty.**

*If you experience issues with assembly or the product was damaged during shipping, please contact our customer service team through one of the methods mentioned at the top of page 1.*

*Please have the item number and order information ready to expedite response time.*

## WARNING:

**Manufacturer and seller expressly disclaim any and all liability from personal injury, property damage or loss, whether direct or indirect, or incidental, resulting from the incorrect attachment, improper use, inadequate maintenance, or neglect of this product.**