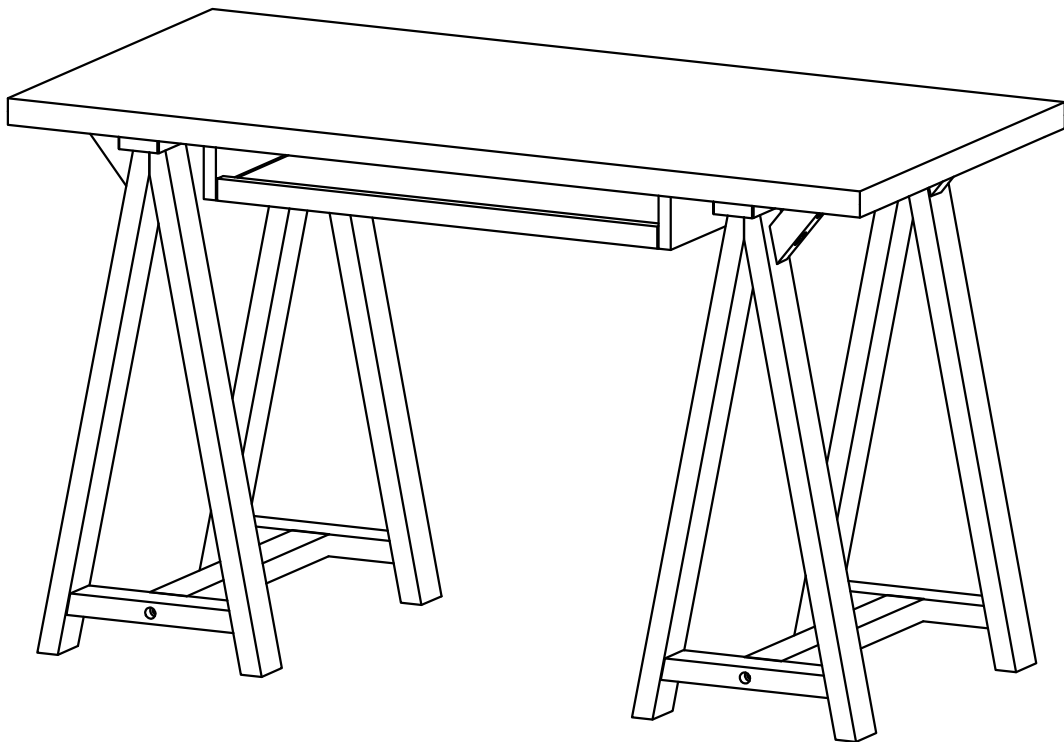


## SAWHORSE / HAWKINS / SPOKANE

---

### SMALL DESK

MODEL # 3AXCSAW-07S-GR





Questions, problems, assembly help, missing parts?

No need to return the product, we will gladly help and ship your replacement parts free of charge

Please call Customer Service at 1-866-518-0120 ext. 262

Monday to Friday between 9 am –4 pm EST

or go to

[www.simpli-home.com/parts request](http://www.simpli-home.com/parts request)

In order to assist you in a timely manner, please have the following information ready:

Model # \_\_\_\_\_ Part Number or Letter \_\_\_\_\_

Purchased at \_\_\_\_\_ Date of Purchase \_\_\_\_\_

**If you wish to return the product, please contact the retailer where the product was purchased.**

**IMPORTANT :** Please read this manual carefully before beginning assembly of this product. Keep this manual for future reference.

## SAFETY INFORMATION

Identify all the parts and hardware. Do not discard of the packaging until you have checked that you have all of the parts and hardware required. Hardware package may have spare parts.

**WARNING:** This item contains small parts which can be swallowed by children and pets. Keep children and pets away during assembly. To avoid danger of suffocation, always keep plastic bags away from children and pets. We recommend that you assemble this unit on a carpeted floor to avoid scratches. If using power tools, set the tool to low torque to avoid damage.

**May require 2 people for ease of assembly.**

**IMPORTANT** : Please read this manual carefully before beginning assembly of this product. Keep this manual for future reference.

## CARE and MAINTENANCE

Perhaps the greatest environmental damage to wood furniture comes from wide swings in relative humidity (RH) in our homes. Wood absorbs and desorbs water as relative humidity rises and falls, and in doing so it swells and shrinks. Making matters worse, it expands and contracts unequally along different grain directions. As humidity changes, the components of wooden objects are continually pushing and pulling against each other. This pressure often results in parts of furniture no longer fitting together closely or becoming distorted or breaking from their own internal stresses.

The response to relative humidity changes begins with determining the annual average RH for your particular space. Then try to keep the RH in the space where your furniture is as close to that average as possible, generally within about 10% up or down. De-humidify in the summer and humidify in the winter.

Be aware that raising the temperature lowers the humidity and vice versa. Thus, modern heating systems, which can drive down interior RH in the winter, almost invariably cause problems for furniture. To counteract their effect, you can either modify the RH by keeping furniture containing spaces cooler in the winter or most importantly, have a good working humidifier for your home. A humidistat automatically works to balance the humidity in your home so it is constant. Dry indoor air can suck enough moisture from its surroundings to do permanent damage to wood, causing it to crack or split.

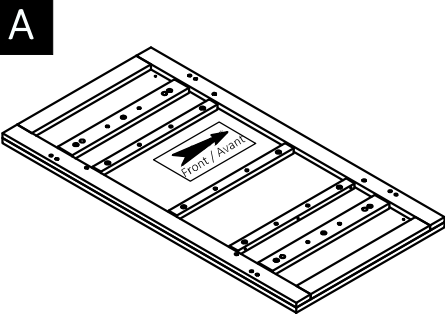
Remember, that not all woods are created equal. Two factors that help determine how rapidly a wood will lose moisture are pore size and surface hardness. A piece made from a dense and hard wood will dry less rapidly than pieces made from softer woods.

Furniture that is sealed and lacquered will lose moisture more slowly than an unfinished piece while pieces with veneer finishes are not only stronger, but lose moisture more slowly than other finishes.

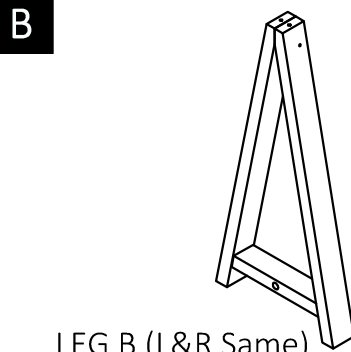
### **To help protect your wood furniture, take these steps:**

- Use a humidifier, preferably one with an automatic control system that can sense the humidity level and adjust itself accordingly. Don't over-humidify; that can damage wood by causing it to expand and contract.
- Keep furniture out of direct sunlight, which can cause it to dry out, crack and warp.
- If you can avoid it, don't put furniture near heating vents. If you must, keep the piece 3 to 4 inches away from the wall, giving the heat and air space to circulate.
- Dust with soft dry cloth.
- Do not use liquid or aerosol products.
- To avoid marking, do not place rubber on surface (foot pads, etc.)
- For soil build-up, wipe with damp cloth & dry.
- Do not use abrasive cleaners.

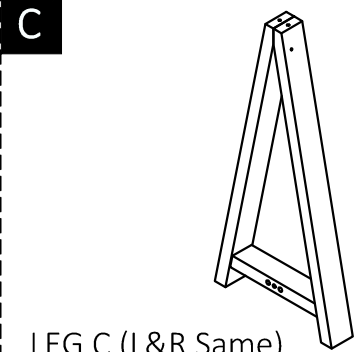
PART DESCRIPTION



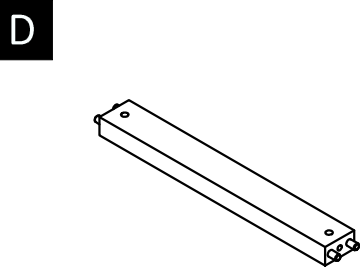
TOP  
QTY 1



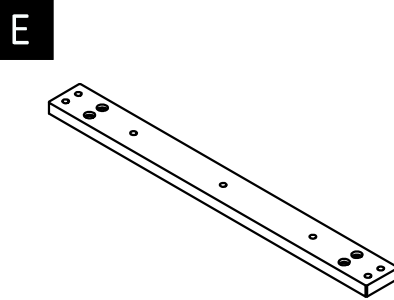
LEG B (L&R Same)  
QTY 2



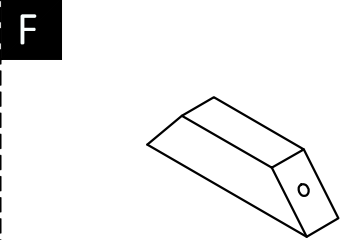
LEG C (L&R Same)  
QTY 2



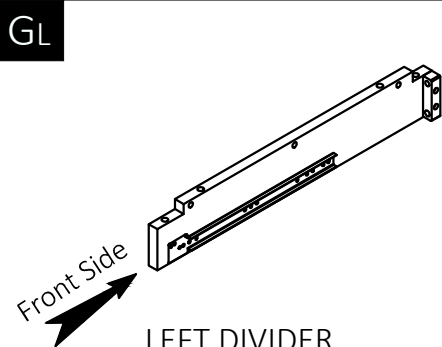
LEG LOWER CONNECTOR  
QTY 2



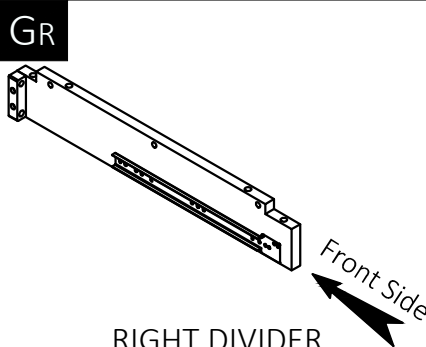
LEG UPPER CONNECTOR  
QTY 2



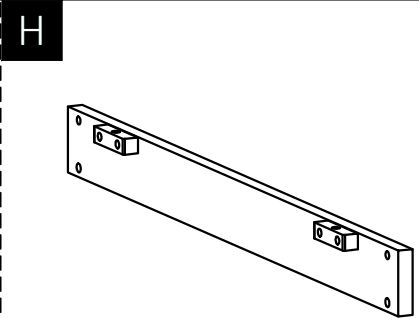
LEG SUPPORTER  
QTY 4



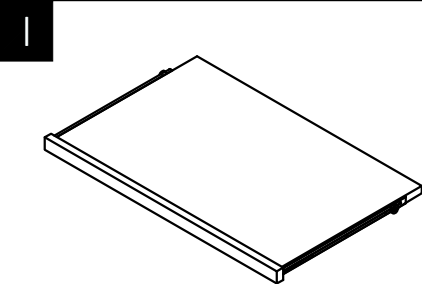
LEFT DIVIDER  
QTY 1



RIGHT DIVIDER  
QTY 1



BACK PANEL  
QTY 1

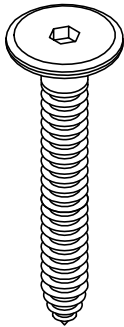


KEYBOARD  
QTY 1

**NEED HELP?** For help with assembly or if you are missing a part,  
Please call customer service at 1-866-518-0120 ext. 262 (9 am to 4 pm EST)

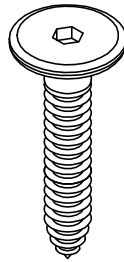
HARDWARE DESCRIPTION

1



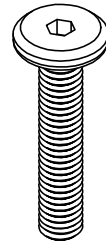
ALLEN KEY SCREW  
M6 X 50mm  
QTY 8

2



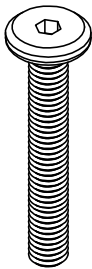
ALLEN KEY SCREW  
M6 X 35mm  
QTY 16

3



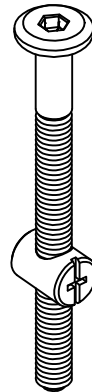
ALLEN KEY BOLT  
M6 X 30mm  
QTY 4

4



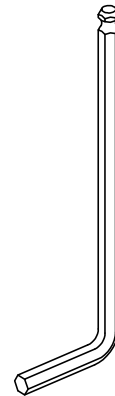
ALLEN KEY BOLT  
M6 X 40mm  
QTY 14

5



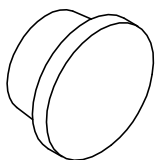
ALLEN KEY BOLT & CROSS NUT  
M6 X 70mm  
QTY 4 SETS

6



ALLEN KEY  
QTY 1

7

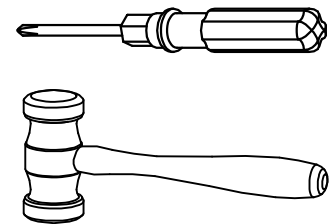


WOOD BOLT CAP  
QTY 4

8

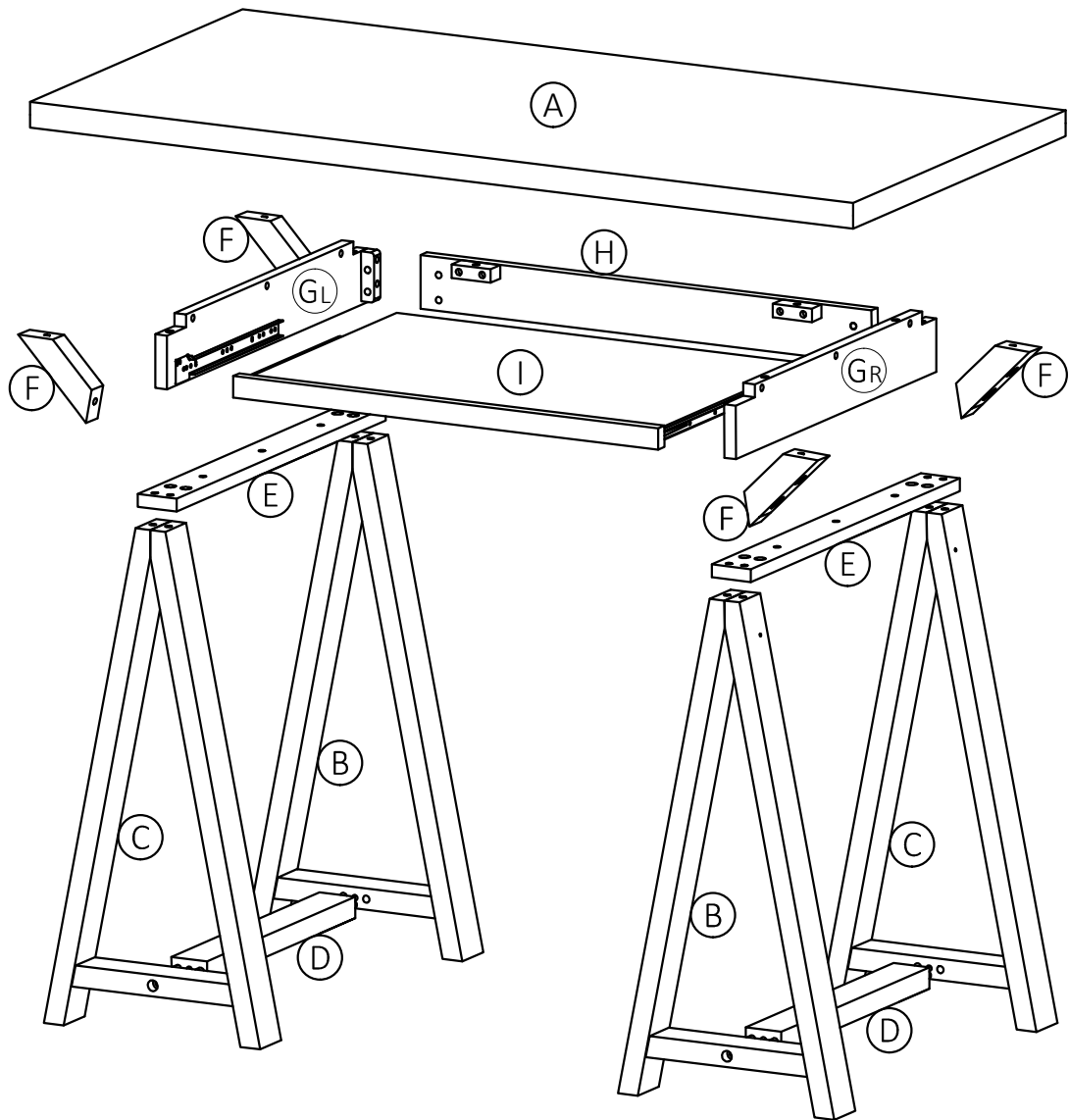


WOOD DOWEL  
Ø8 X 30mm  
QTY 4

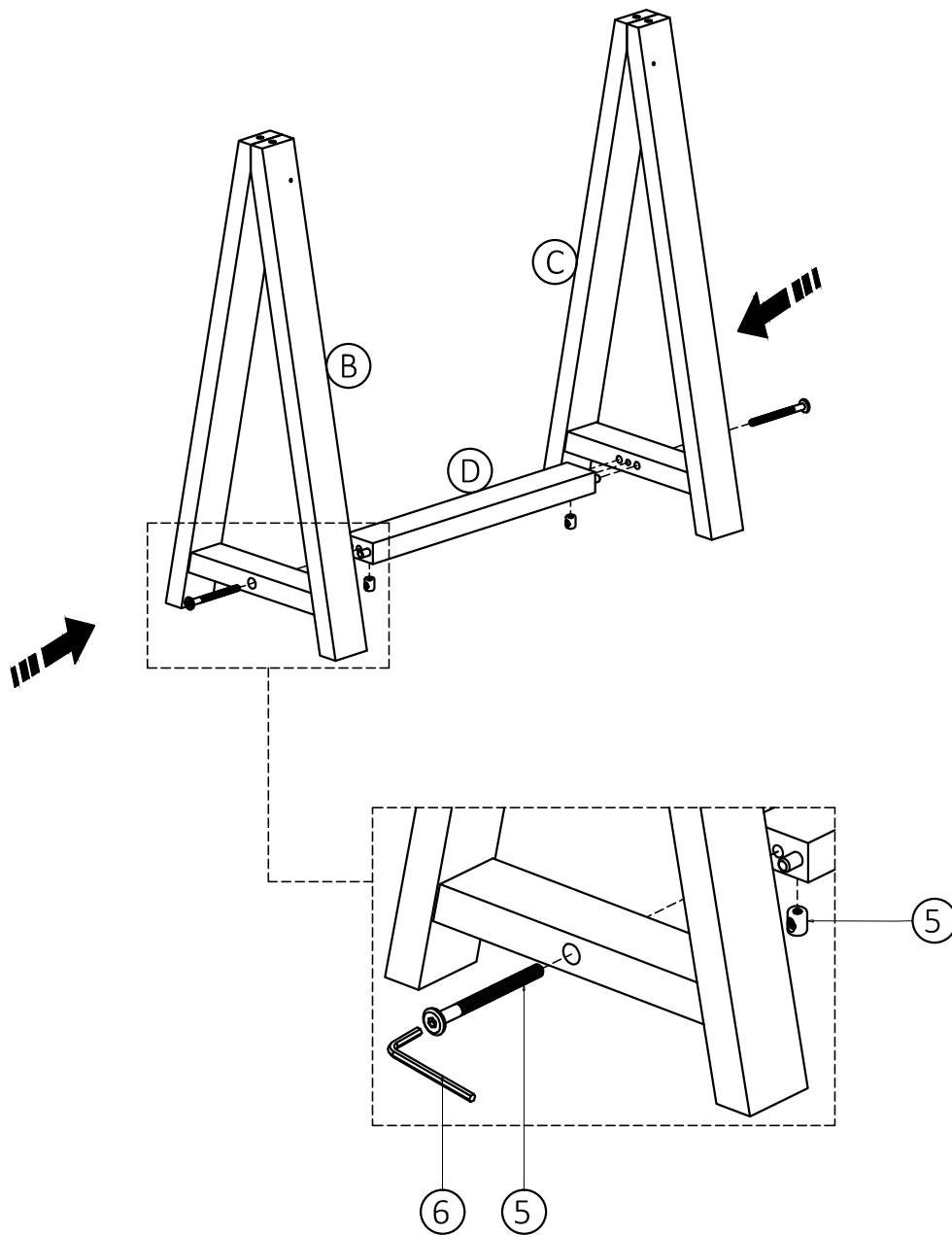


Required -  
Phillips screwdriver  
Rubber mallet  
**Not Included**

**NEED HELP?** For help with assembly or if you are missing a part,  
Please call customer service at 1-866-518-0120 ext. 262 (9 am to 4 pm EST)



## STEP-1

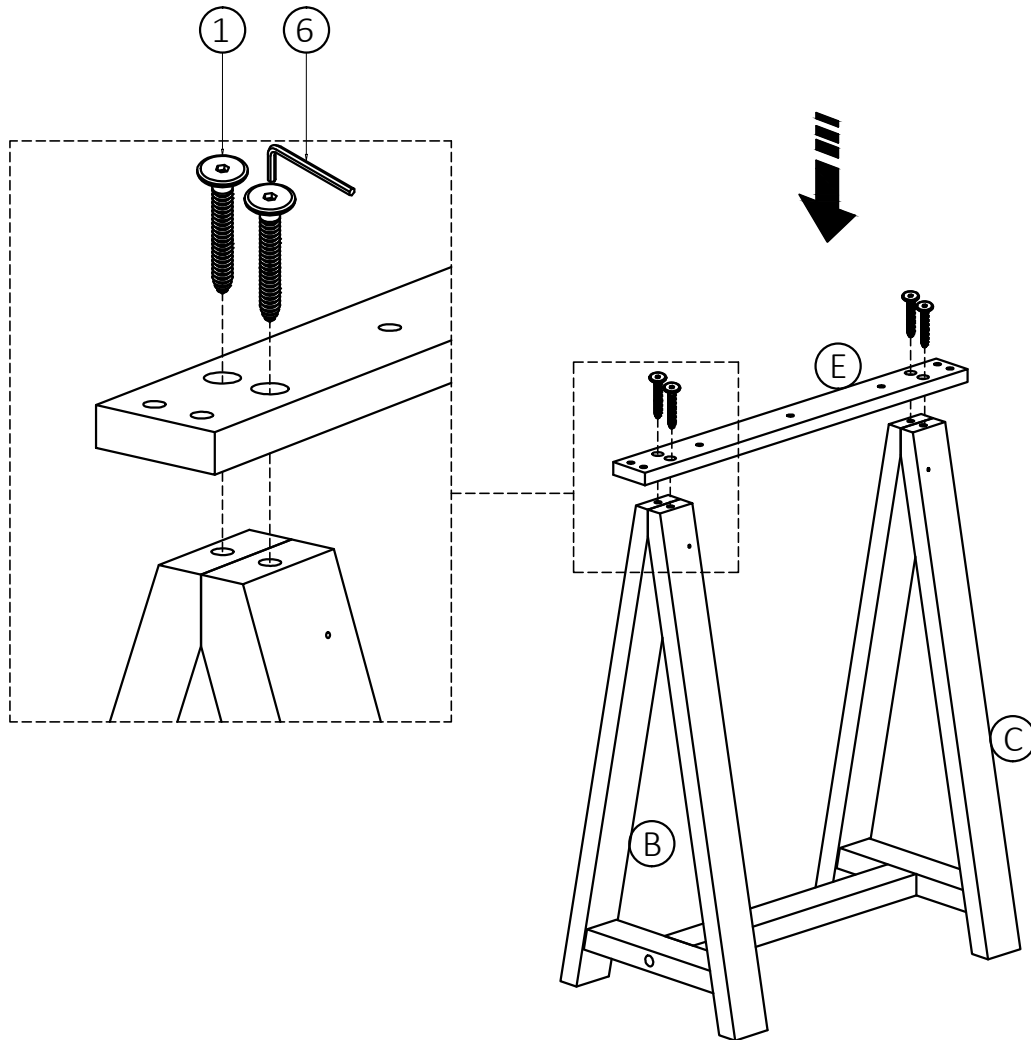


1. Align two pre-drilled holes on each Leg (B) & Leg (C) with two Dowels on each side of Leg Lower Connector (D).
2. Insert Cross Nuts (5) into pre-drilled holes in Leg Lower Connector (D) with the slot facing out. Use a flathead Screwdriver to turn it to align with the Bolts (5). Repeat on the opposite side.
3. Use Allen Key (6) to tighten Bolts.

Repeat Step 1-3 for second set of legs.

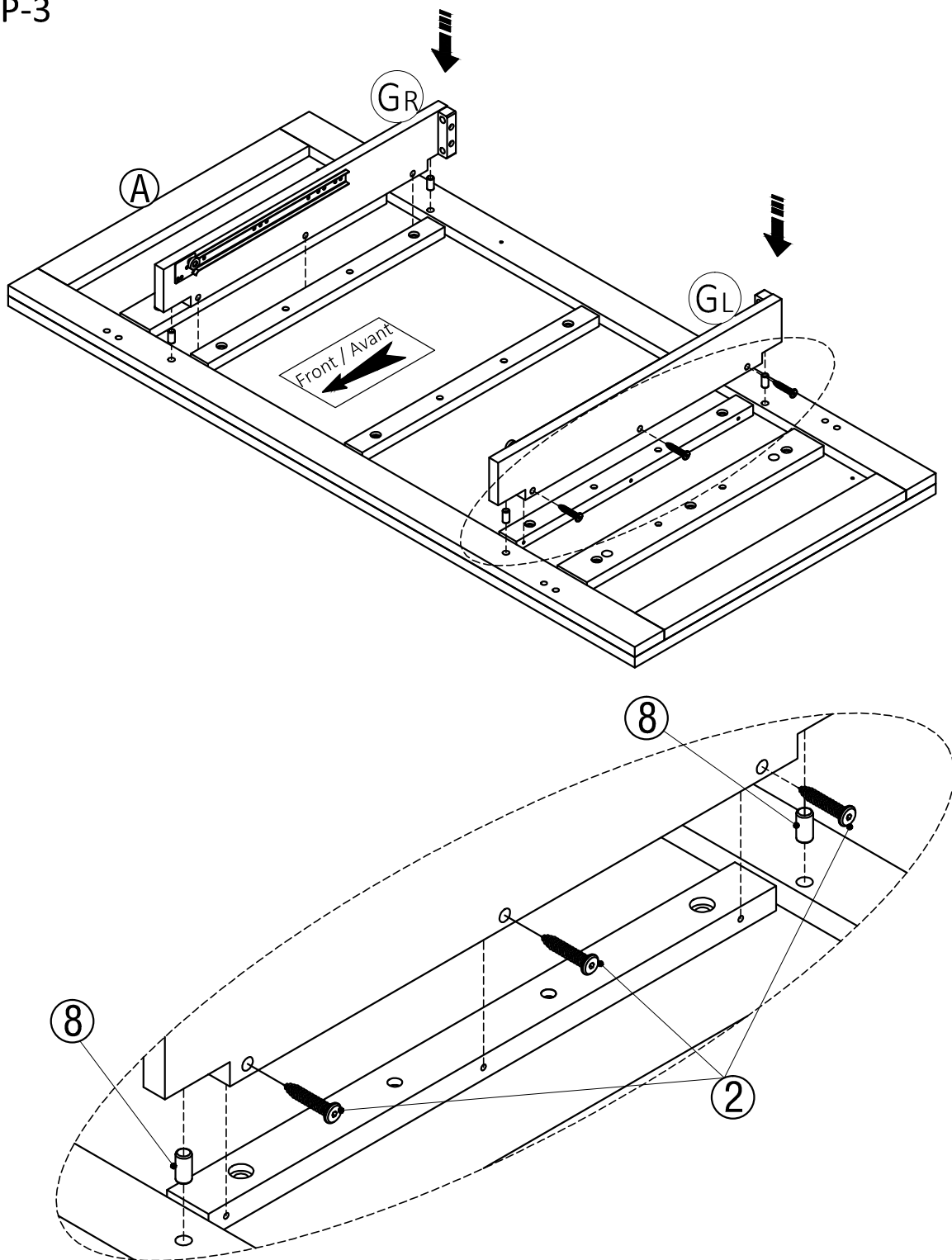


## STEP-2



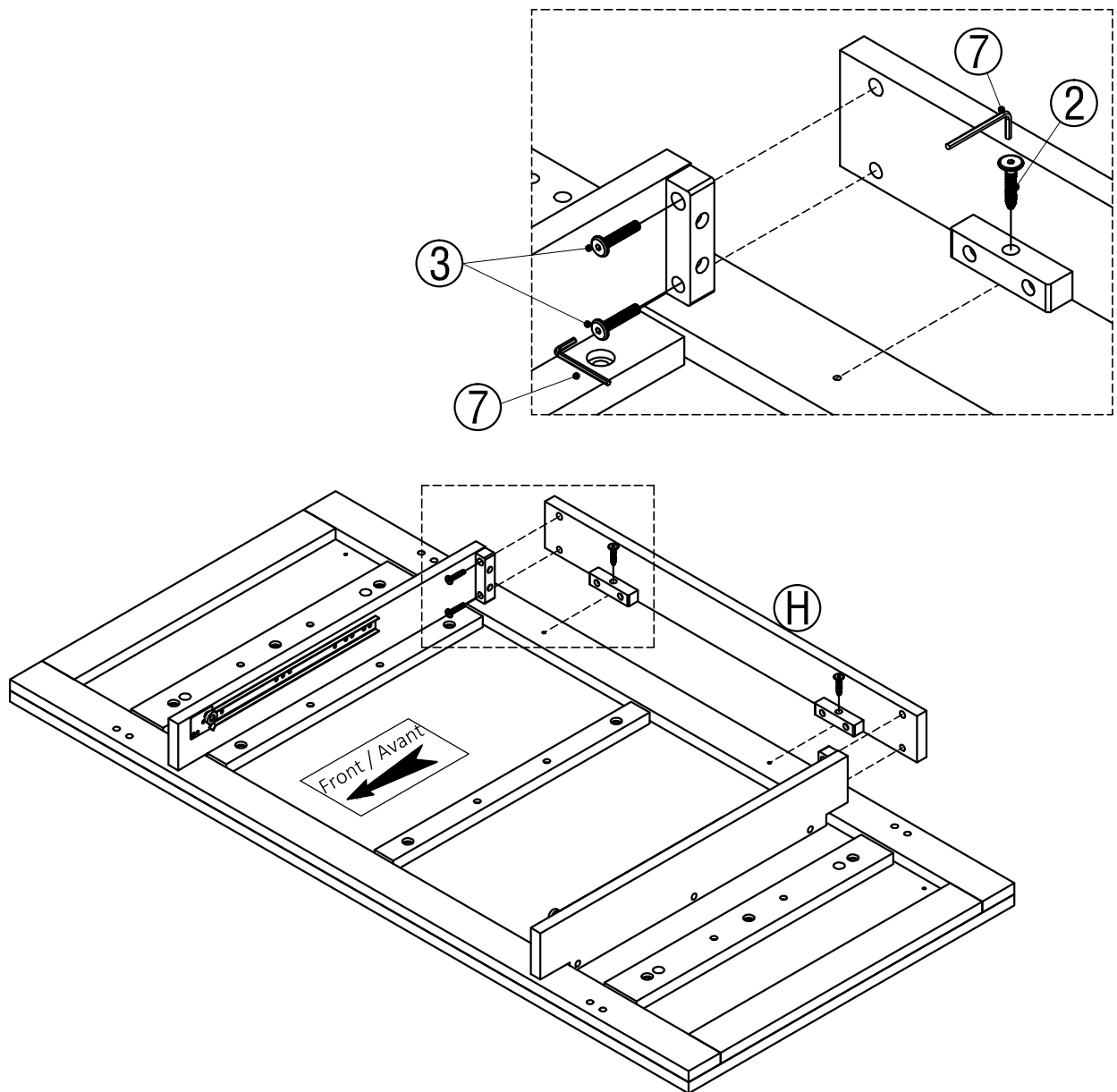
1. Attach Leg Upper Connector (E) to Leg (B) and Leg (C) using four Allen Key Screws (1).
2. Use Allen Key (6) to tighten screws. Do not over-tighten.
3. Repeat for the second Leg Upper Connector (E).

## STEP-3



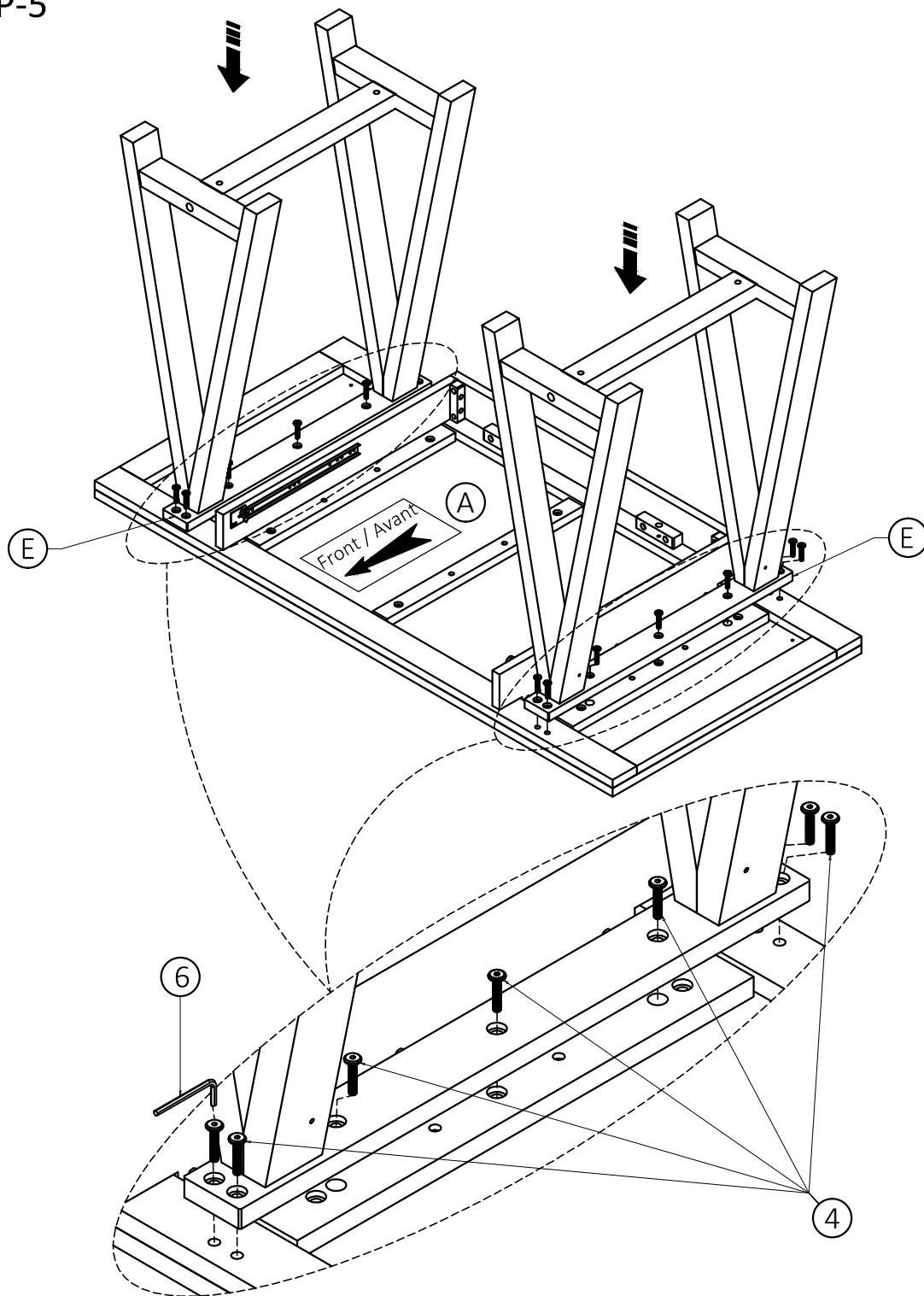
1. Insert two Wood Dowels (8) into each Divider (GL), (GR).
2. Use rubber mallet to tap Dowels (8) into bottom of holes securely. ½ length of Dowels should be exposed.
3. Align Dowels (8) with pre-drilled holes in Top (A) and insert firmly.
4. Using three Allen Key Screws (2) attach Top (A) to each Divider (GL), (GR).
5. Use Allen Key (6) to tighten Screws. Do not over-tighten.

## STEP-4



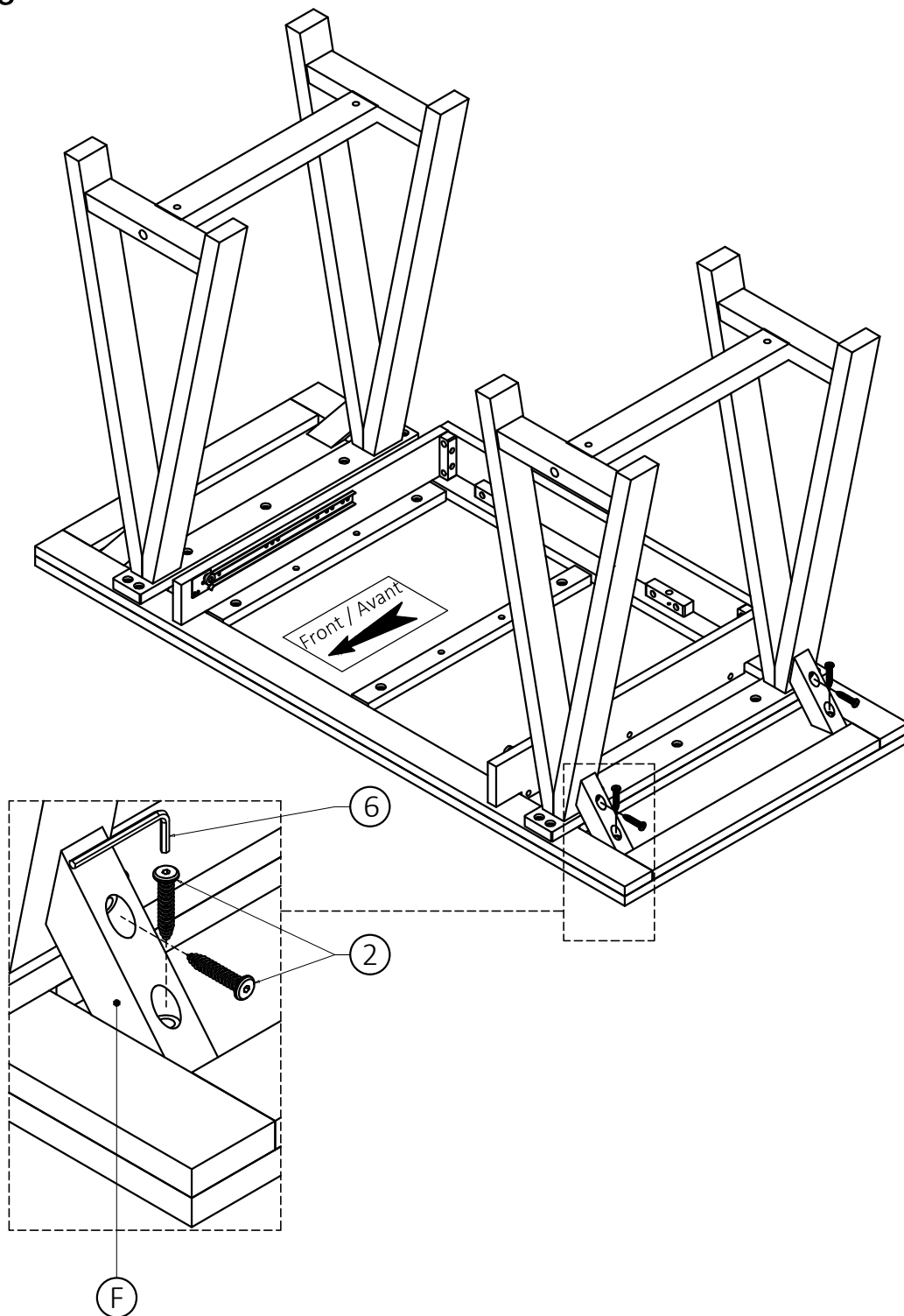
1. Attach Back Panel (H) to Dividers (G) using four Allen Key Bolts (3).
2. Attach Back Panel (H) to Top (A) using two Allen Key Screws (2).
3. Use Allen Key (6) to tighten Bolts. Do not over-tighten.

## STEP-5



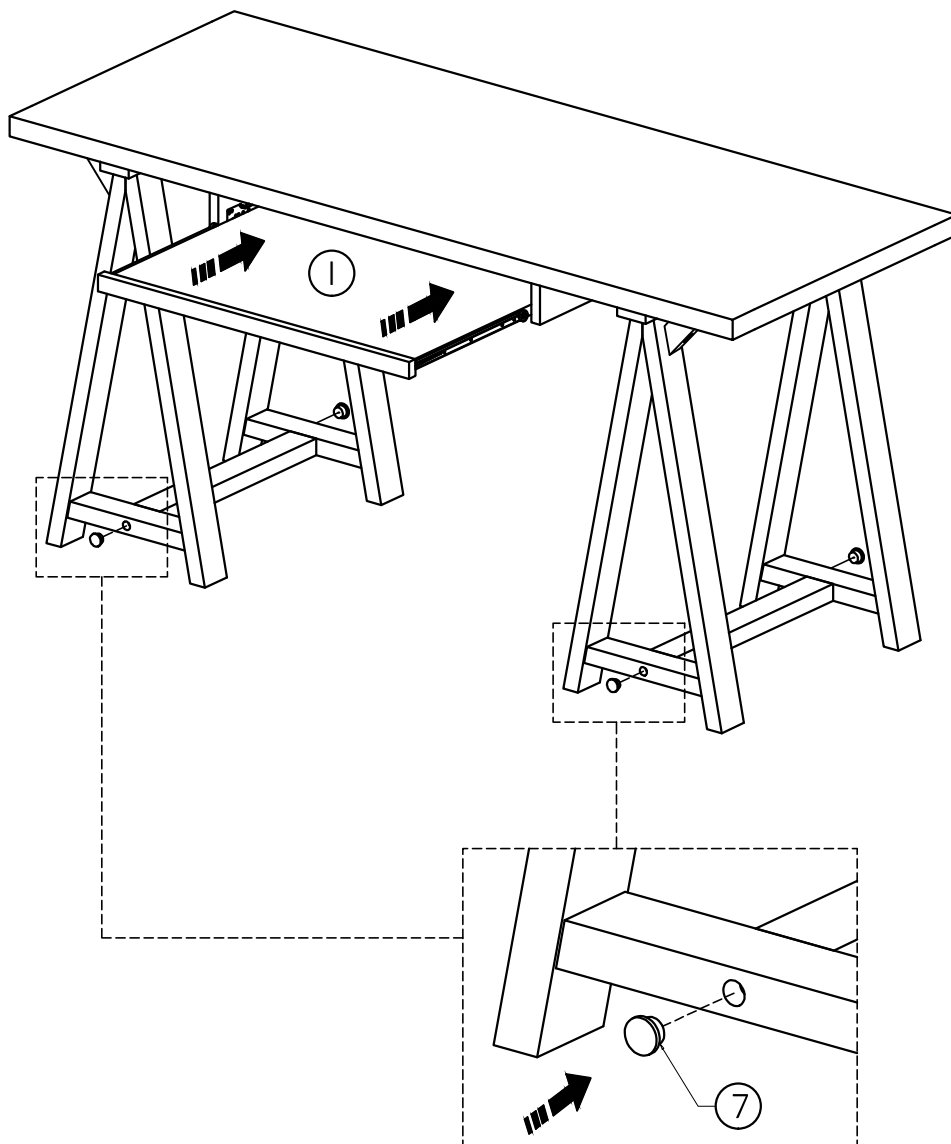
1. Attach Top (A) to Leg Upper Connector (E) using seven Allen Key Bolts (4).
2. Use Allen Key (6) to tighten Bolts. Do not over-tighten.
3. Repeat on the opposite side.

## STEP-6



1. Attach Leg Supporter (F) to corner in between Legs and Top (A) at specified location using two Allen Key Screws (2).
2. Use Allen Key (6) to tighten screws. Do not over-tighten.
3. Repeat on the opposite legs.

## STEP-7



1. Insert four Wood Bolt Cap (7) into exposed bolt holes on Leg (B) and Leg (C).
2. Insert Keyboard (1) into glides on assembled desk.



## WARRANTY

Thank you for purchasing a Simpli Home – Wyndenhall – Brooklyn + Max product. These products have been made to demanding, high-quality standards and are guaranteed for domestic use against manufacturing faults for a period of 12 months from the date of purchase. This warranty does not affect your statutory rights.

In case of any malfunction of your product (failure, missing parts, etc.) please contact us at our toll free service line at 1-866-518-0120 ext. 262 from 9 am to 4 pm, Monday to Friday, Eastern Standard Time or by email at [customerservice@simpli-home.com](mailto:customerservice@simpli-home.com).

We reserve the right to repair or replace the defective product, at its discretion.

This product is guaranteed for 12 months if used for normal purposes. Any warranty is invalid if the product has been overloaded or subject to neglect, improper use or an attempted repair by other than an authorized agent. Heavy-duty or daily professional/commercial usage are not guaranteed.

Due to continuous product improvement, we reserve the right to change the product specifications without prior notice.