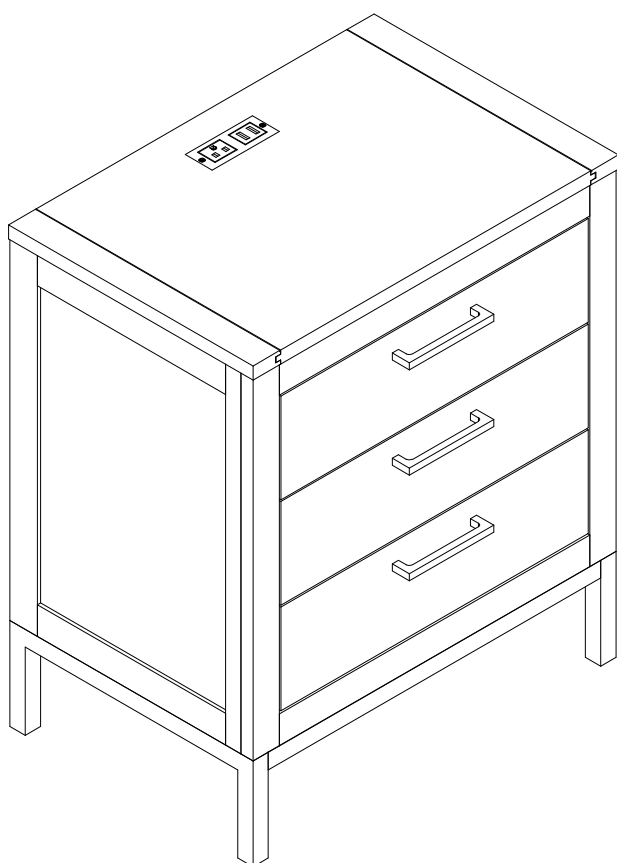



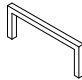





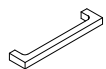
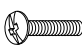

Assembly Instructions, #9076 Tableau Side Table

Note:

A packet with complete set of hardware can be found by pulling the red ribbon that's easily visible upon opening the box.

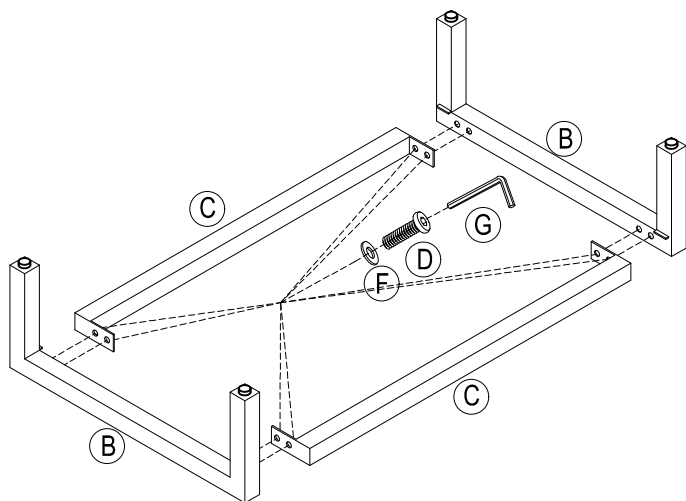


Parts List

A: Drawer Box Assembly		1
B: Side Leg Frames		2
C: Metal Rails		2
D: Short Bolts		8
E: Long Bolts		4
F: Flat Washers		12
G: Allen Wrench		1
H: Pulls		3
I: Machine Screws		6
J: Anti-tipping kits		1

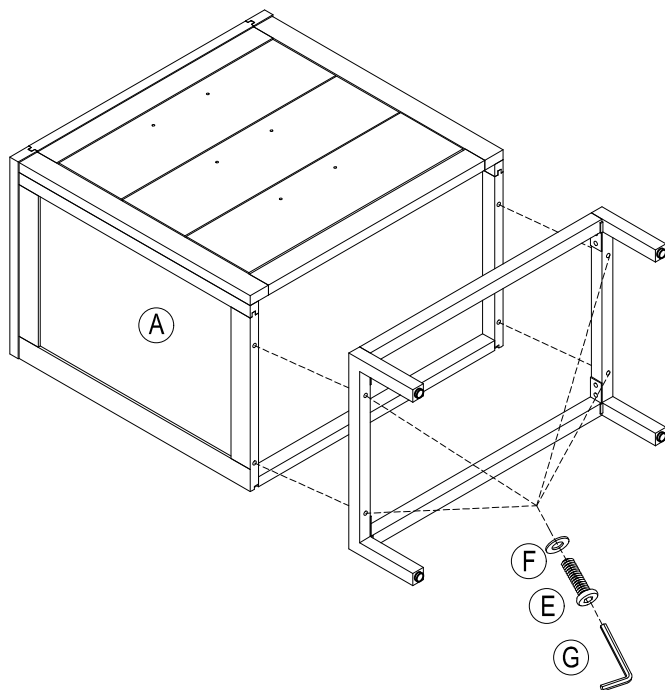
Step 1

Fasten the metal rails (C) onto two side leg frames (B) with 8 short bolts and flat washers as per following sketch.



Step 2

Align the metal base's holes onto the drawer box's bottom inserts, fasten with 4 long bolts and flat washers.

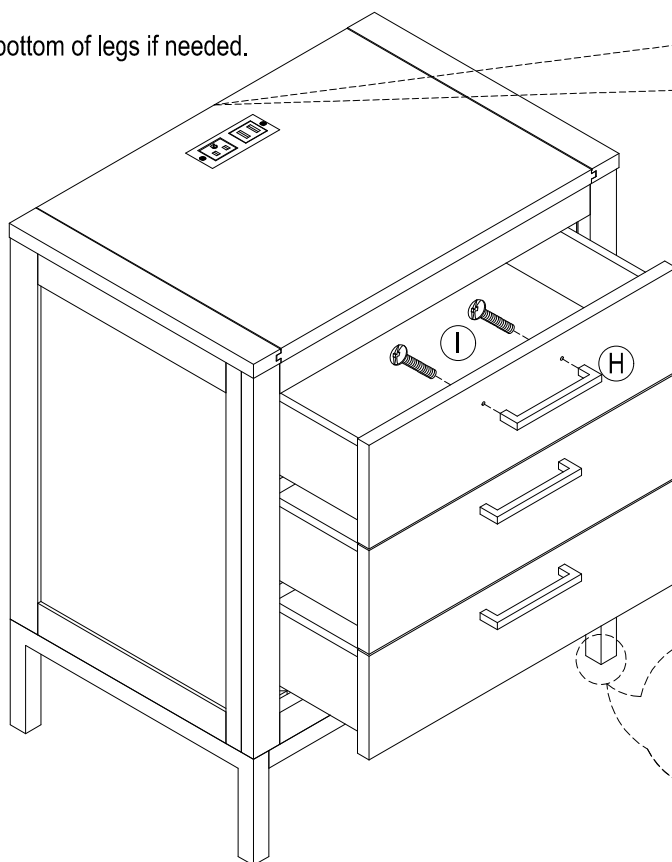


Step 3

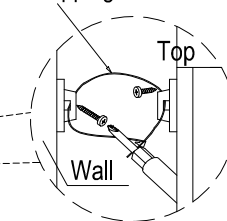
3.1 Open the drawers to fasten drawer pulls with machine screws.

3.2 Fasten one part of the anti-tipping kit onto the pre-drilled holes at back panel and another part into the wall. Loop the strap through the holes of the fastened parts and pull its end to tighten.

3.3 Adjust the levelers on the bottom of legs if needed.



Furniture Tipping Restraint



Furniture Tipping Restraint must always be used to prevent serious harm or death to children.