



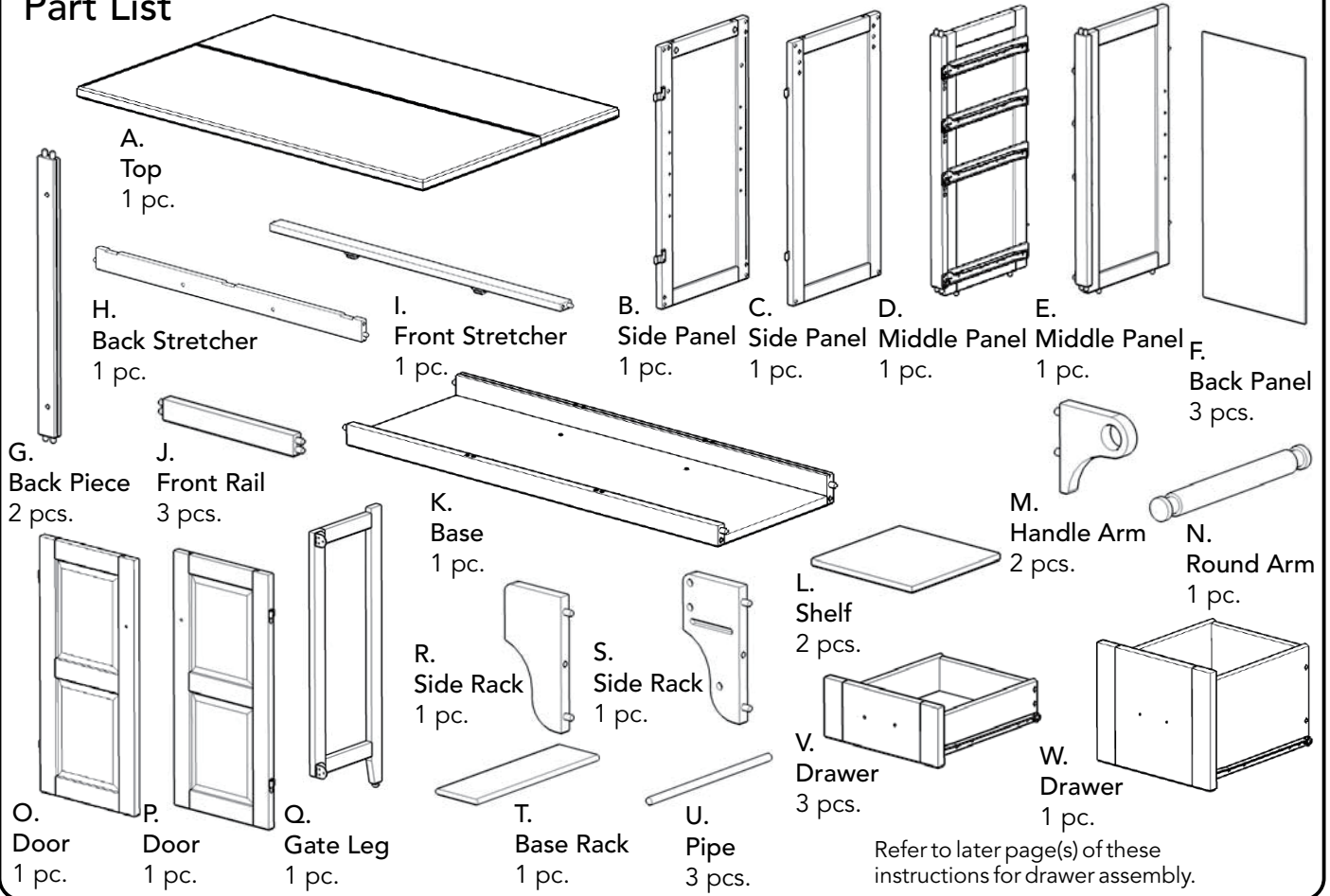
IMPORTANT

Carefully remove all the parts from the carton and place them individually on a soft cloth to prevent scratches or other damage.

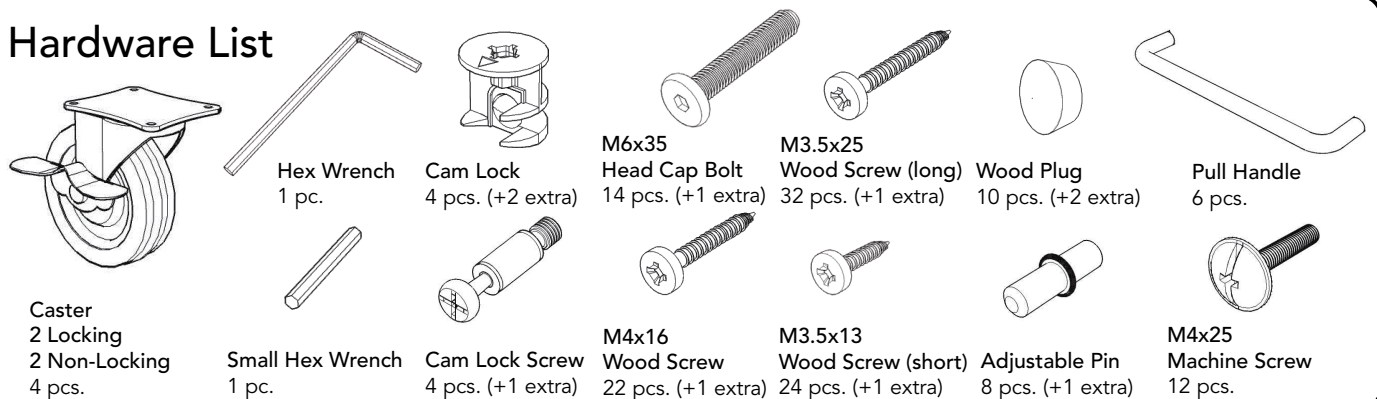
Carefully and strictly follow these assembly instructions to ensure a completed product as designed.

Do not use power tools above 8 volts to assemble.

Part List



Hardware List



Tool(s) required for assembly: Phillips screwdriver

Assembly Instructions 2/7

IMPORTANT

- Use a soft cloth between these parts and the floor.
- Do not use power tools above 8 volts to assemble.
- Do not tighten all the bolts until each part is properly assembled.
- Keep Hex Wrench in a safe place as the bolts may need to be tightened up in the future.

STEP 1

Insert Cam Lock Screws into pre-drilled holes of Top (A). (See Figure 1)

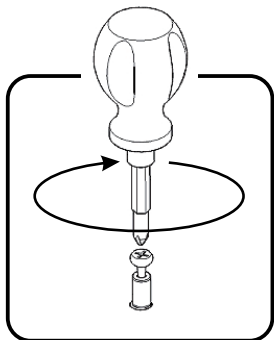
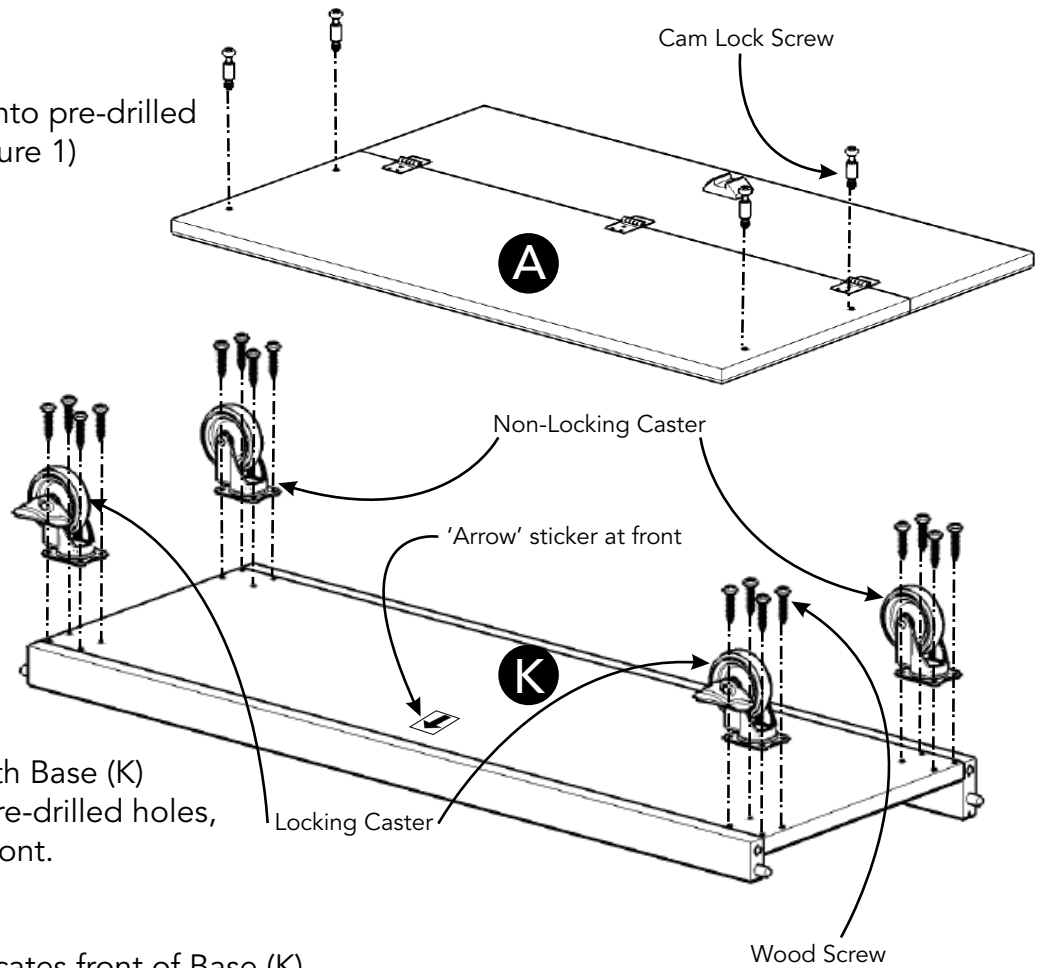


Figure 1



STEP 2

Attach Casters underneath Base (K) with Wood Screws into pre-drilled holes, with Locking Casters at front. (See Figure 2)

Note: 'Arrow' sticker indicates front of Base (K).

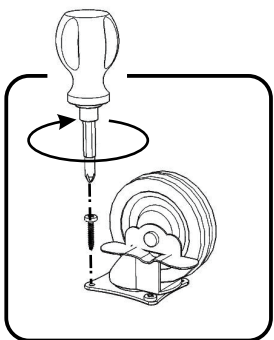
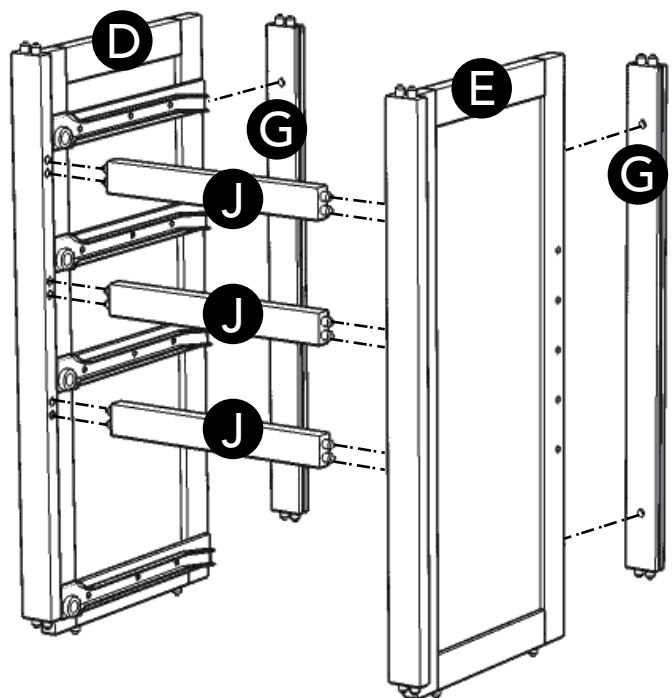


Figure 2

STEP 3

Attach Back Pieces (G) to Middle Panels (D) and (E).

Attach Front Rails (J) to Middle Panels (D) and (E).



Assembly Instructions 3/7

STEP 4

Attach unit to Base (K).

Attach Side Panel (B) to unit with Head Cap Bolts. (See Figure 3)

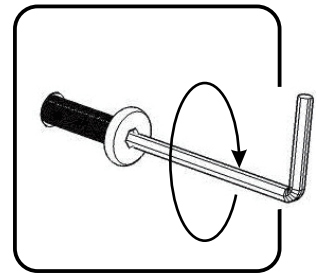
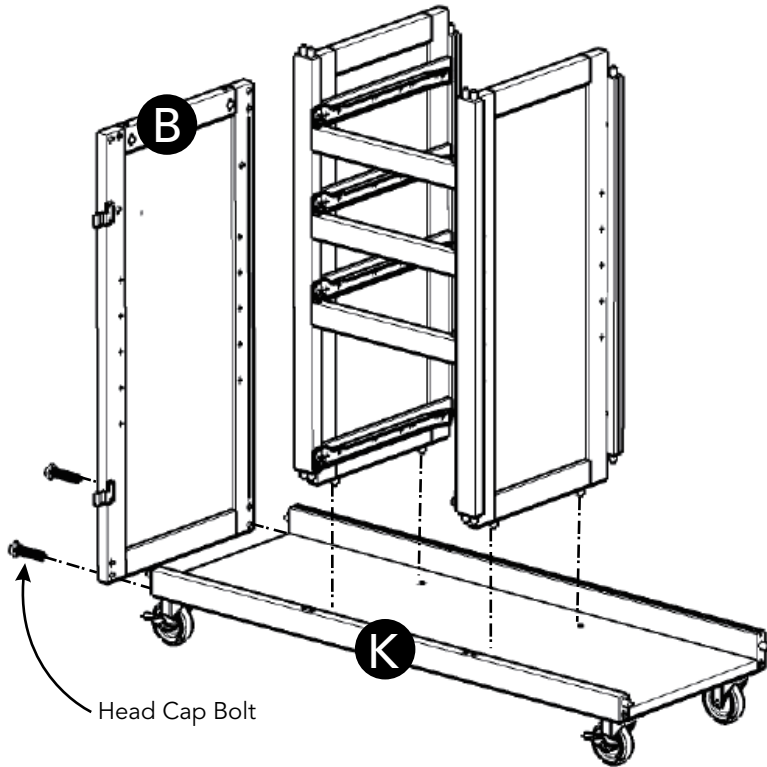


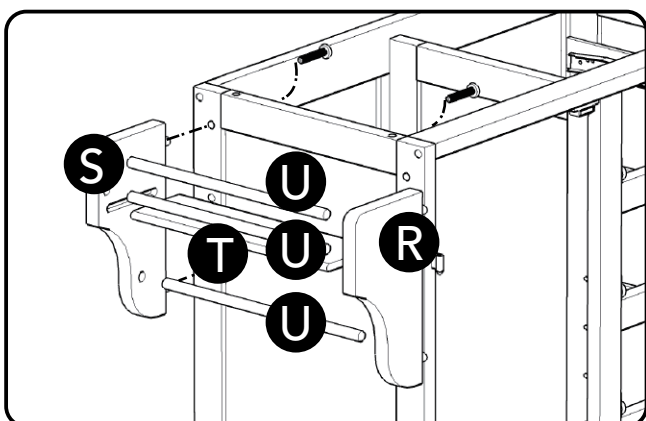
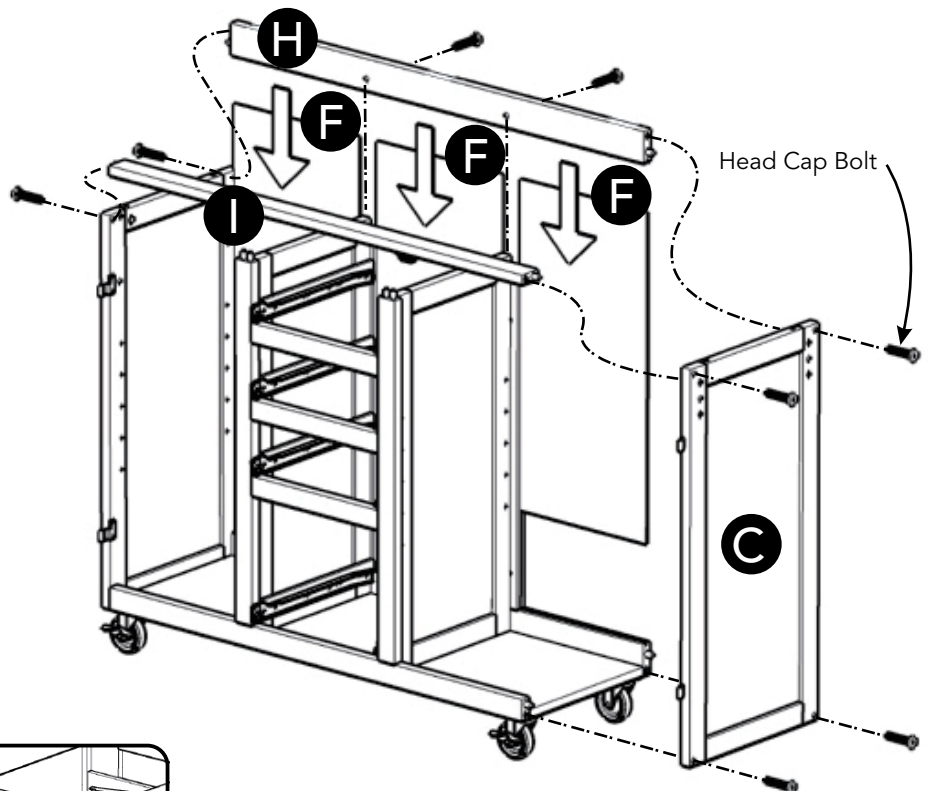
Figure 3

STEP 5

Slide Back Panels (F) into place.

Attach Back Stretcher (H) and Front Stretcher (I) to unit with Head Cap Bolts.

Attach Side Panel (C) to unit with Head Cap Bolts.



STEP 6

Attach Side Rack (R) to unit with Head Cap Bolt.

Slide Base Rack (T) and Pipes (U) into Side Rack (R).

Attach Side Rack (S) to unit with Head Cap Bolt.

Assembly Instructions 4/7

STEP 7

Attach Handle Arms (M) to Side Panel (C) with Head Cap Bolts.

Slide Round Arm (N) into place.

Attach Gate Leg (Q) to back of unit with Wood Screws into pre-drilled holes. (See Figure 4)

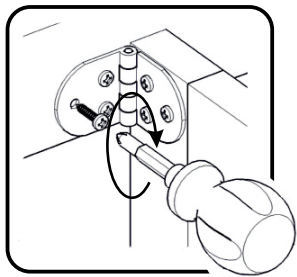
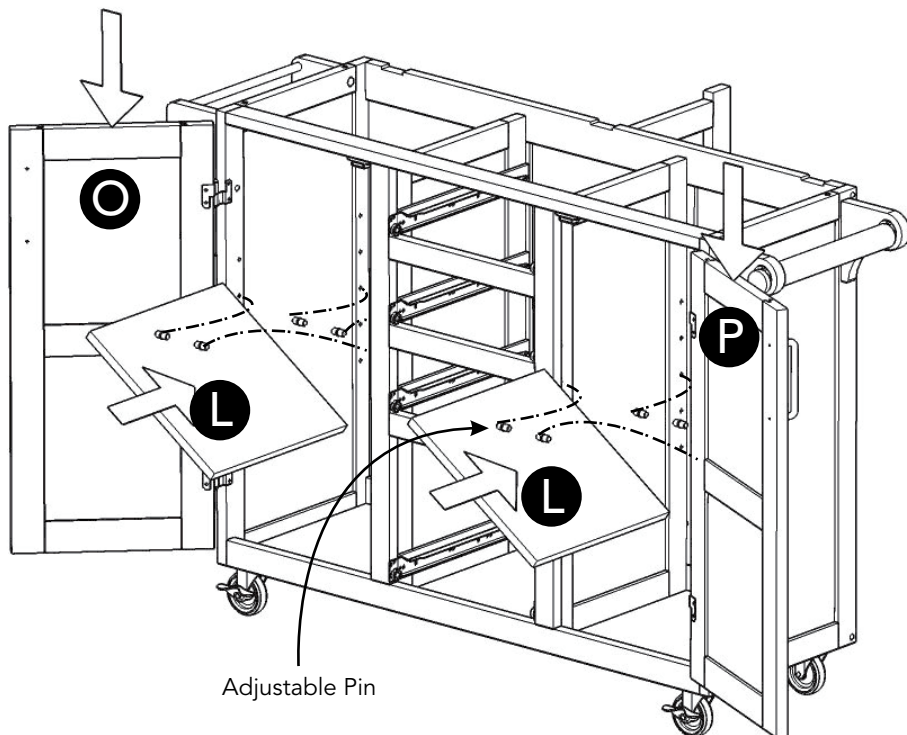
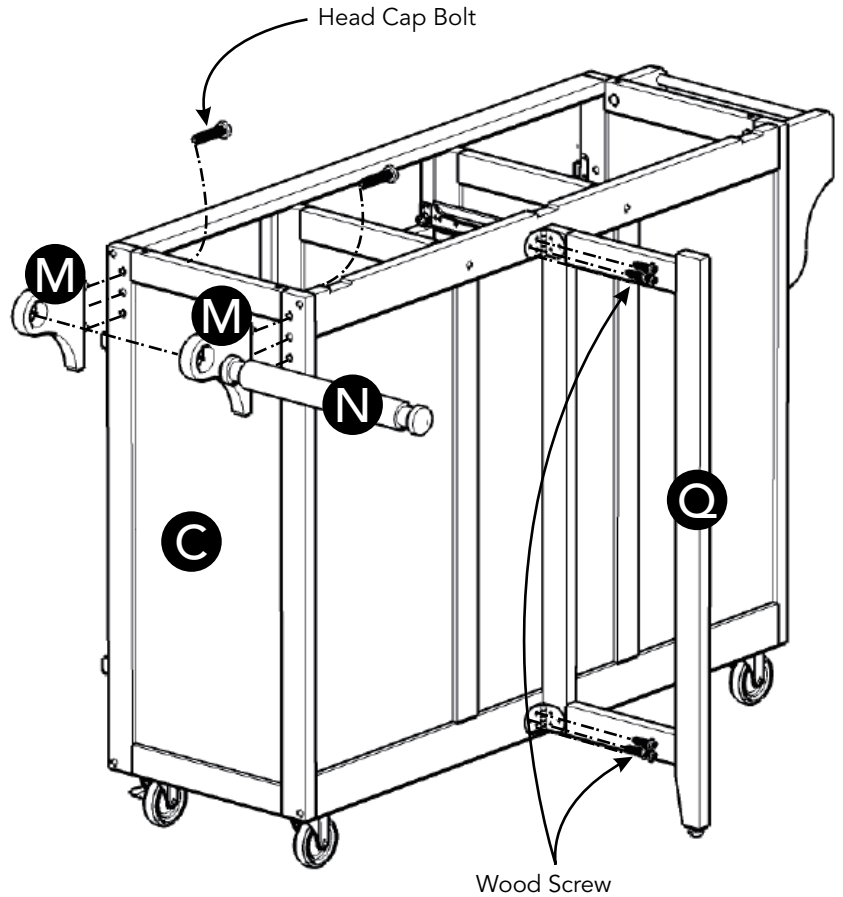


Figure 4



STEP 8

Insert Adjustable Pins into side panels and middle panels at desired level.

Place Shelves (L) into position.

Attach Doors (O) and (P) by sliding door lift hinges into side panel lift hinges. (See Figure 5)

Attach Pull Handles to Doors (O) and (P) with Machine Screws. (See Figure 6)

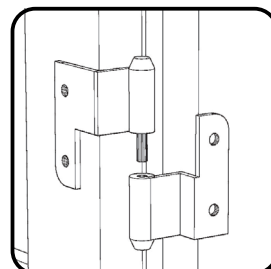


Figure 5

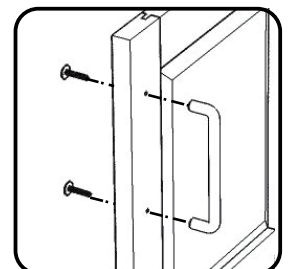
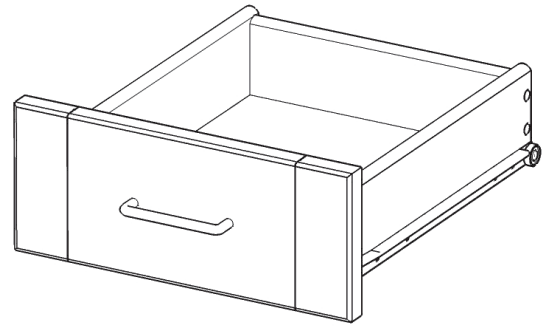
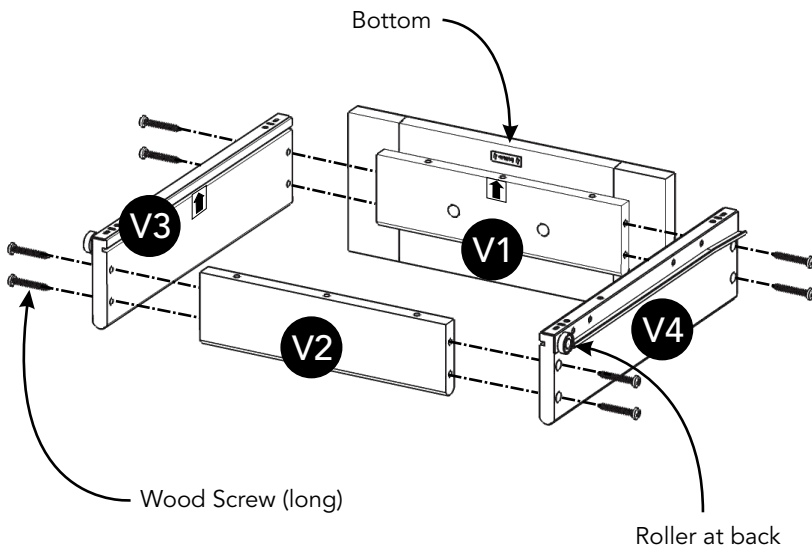


Figure 6

Assembly Instructions 5/7

Drawer (V)



STEP 9

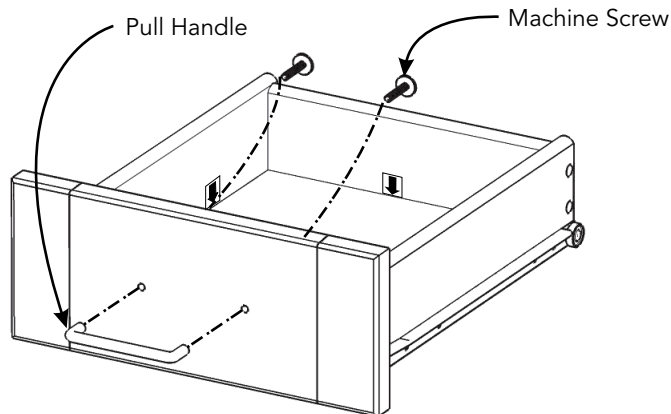
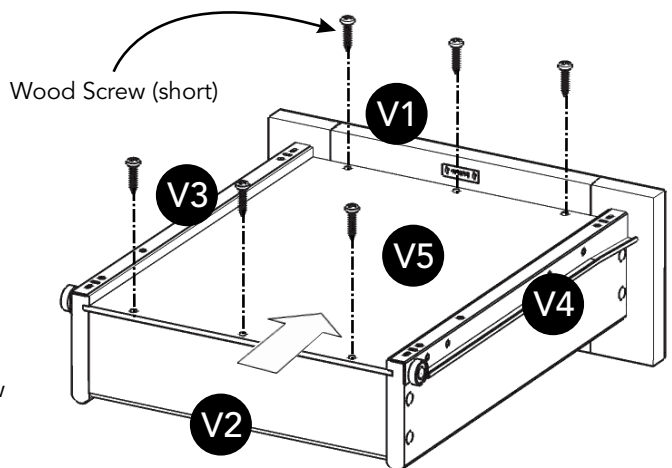
Attach Drawer Front (V1) and Drawer Back (V2) to Drawer Side (V3) with Wood Screws (long).

Attach Drawer Side (V4) to unit with Wood Screws (long).

STEP 10

Slide Drawer Bottom (V5) into the grooves of Drawer Sides (V3) and (V4) until it meets Drawer Front (V1).

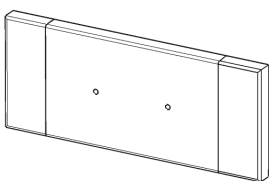
Attach Drawer Bottom (V5) to unit with Wood Screws (short).



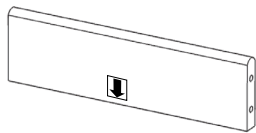
STEP 11

Attach Pull Handle with Machine Screws.

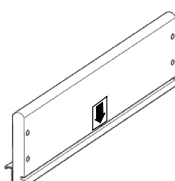
Part List



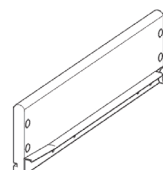
V1.
Drawer Front
3 pcs.



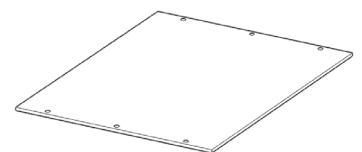
V2.
Drawer Back
3 pcs.



V3.
Drawer Side
3 pcs.



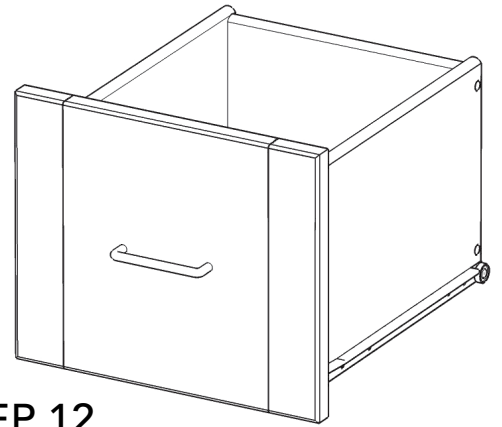
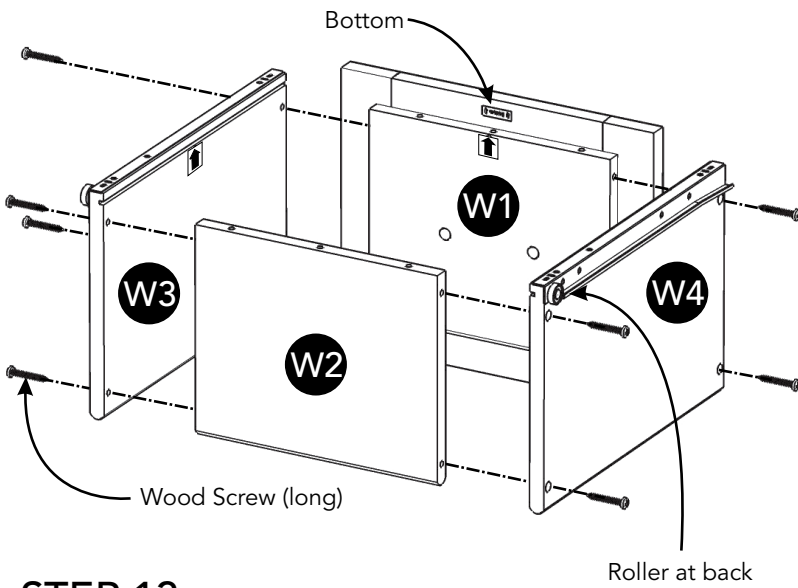
V4.
Drawer Side
3 pcs.



V5.
Drawer Bottom
3 pcs.

Assembly Instructions 6/7

Drawer (W)



STEP 12

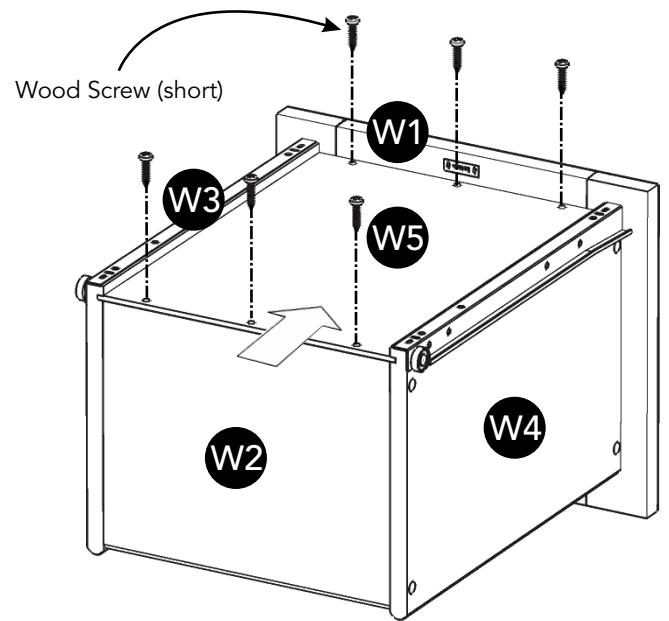
Attach Drawer Front (W1) and Drawer Back (W2) to Drawer Side (W3) with Wood Screws (long).

Attach Drawer Side (W4) to unit with Wood Screws (long).

STEP 13

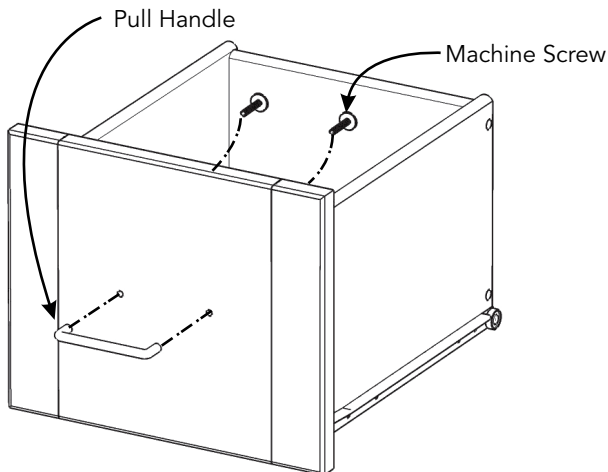
Slide Drawer Bottom (W5) into the grooves of Drawer Sides (W3) and (W4) until it meets Drawer Front (W1).

Attach Drawer Bottom (W5) to unit with Wood Screws (short).

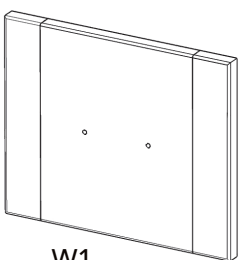


STEP 14

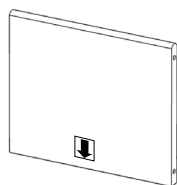
Attach Pull Handle with Machine Screws.



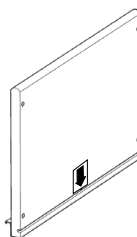
Part List



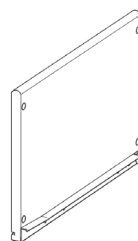
W1.
Drawer Front
1 pc.



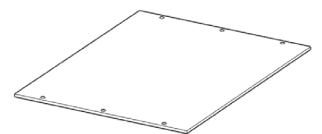
W2.
Drawer Back
1 pc.



W3.
Drawer Side
1 pc.

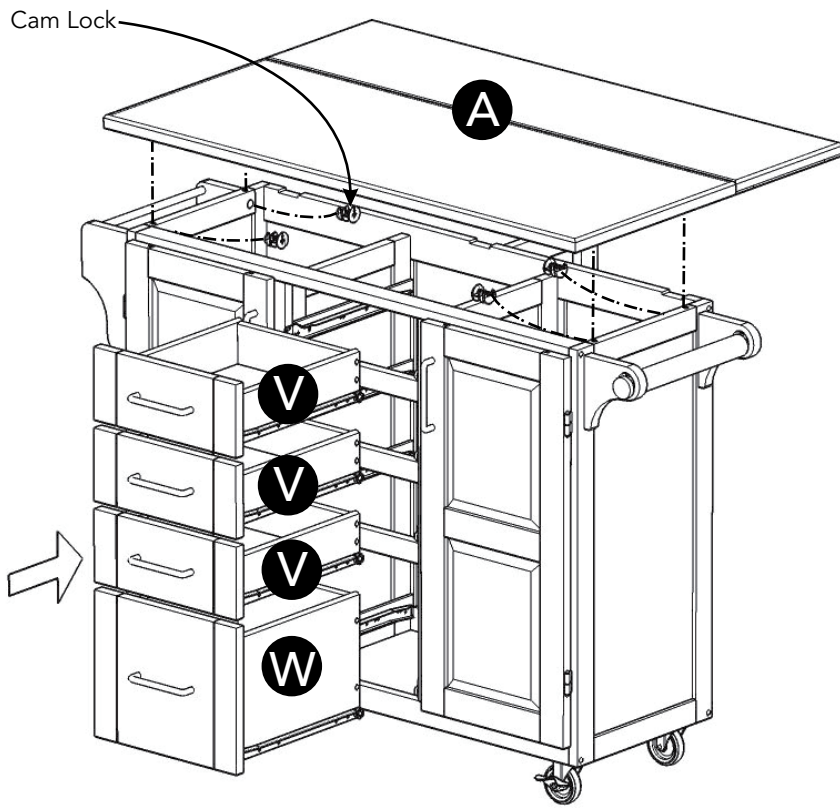


W4.
Drawer Side
1 pc.



W5.
Drawer Bottom
1 pc.

Assembly Instructions 7/7



STEP 15

Attach Top (A) to unit with Cam Locks. (See Figure 7)

Slide Drawers (V) and (W) into position.

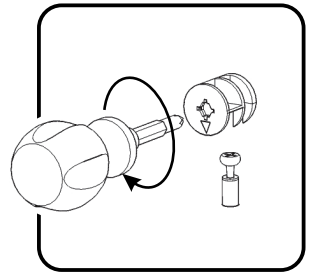


Figure 7

STEP 16

Cover all holes with Wood Plugs.
(See Figure 8)

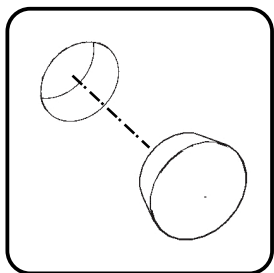
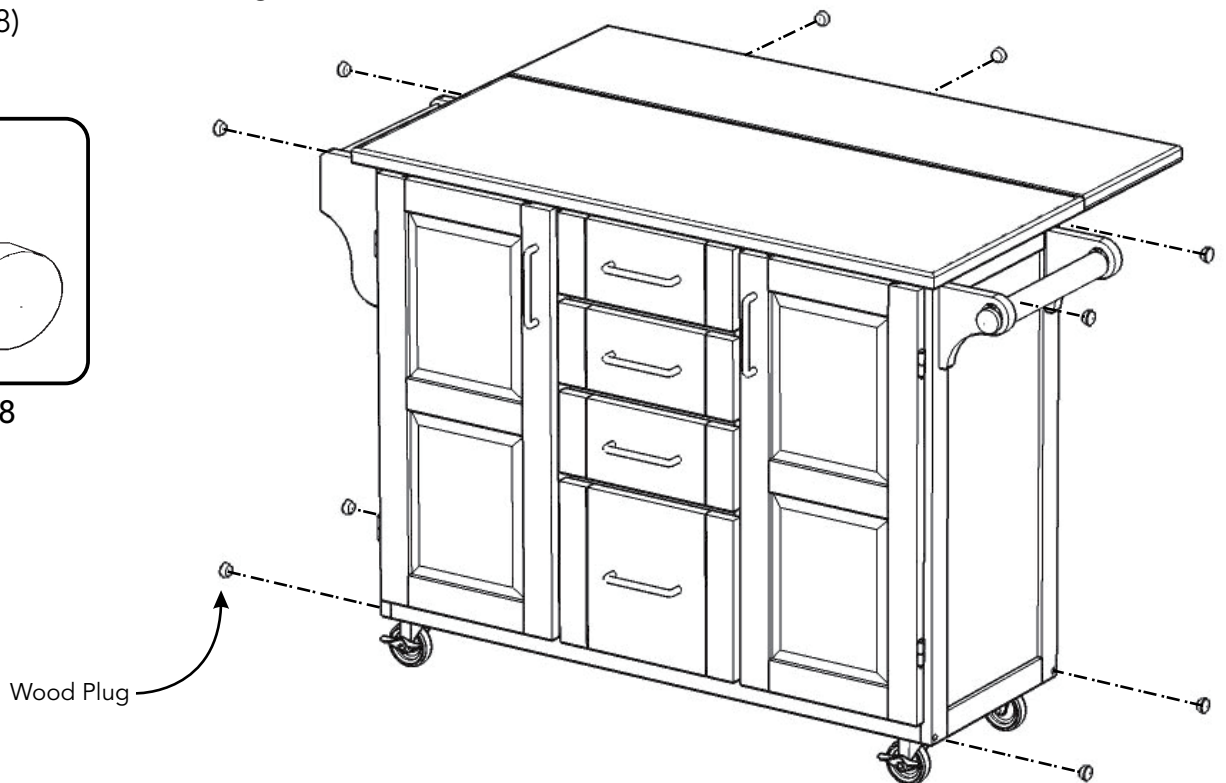


Figure 8



CARE INSTRUCTIONS

NEVER

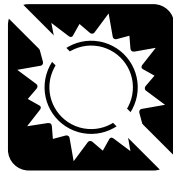
allow liquids to remain on furniture.
Absorption causes parts to warp
and split and finishes to delaminate.

NEVER

use glass cleaners on
finished furniture. Ammonia
chemically attacks the finish.



Do not use power tools
above 8 volts to assemble.
**PREVENT
CRACKING**



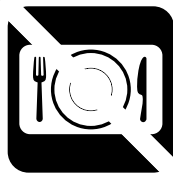
Do not place
in direct sunlight.
**PREVENT
FADING**



Do not write
directly on surface.
**PREVENT
MARKING**



Do not place hot
objects on surface.
**PREVENT
FINISH DAMAGE**



Do not use rubber
based placemats.
**PREVENT
DISCOLORING**



Do not use commercial
waxes and polishes.
**PREVENT
YELLOWING**

CLEAN

with a soft cloth moistened
in lukewarm soap and water.
Buff with a dry clean cloth.



Home Styles will provide replacements free of charge for missing or damaged hardware or parts within 30 days of purchase. Digital images of the defective parts may be required. If the product was not purchased from an authorized retail affiliate, Home Styles is under no obligation to provide replacement parts. Parts are not available for fully assembled items nor are parts available for sale. Replacements for missing or damaged hardware or parts may be requested at:

www.homestyles-furniture.com/customer-service/replacement-parts

Home Styles Customer Service: www.homestyles-furniture.com,
servicedesk@homestyles-furniture.com, 888-680-7460, 877-831-0319