

Saramonic

Sound.Remarkable. 

SR-HC5

Microphone Boom Arm

麦克风悬臂支架

Instruction Manual
使用说明

Thank you for purchasing Saramonic!

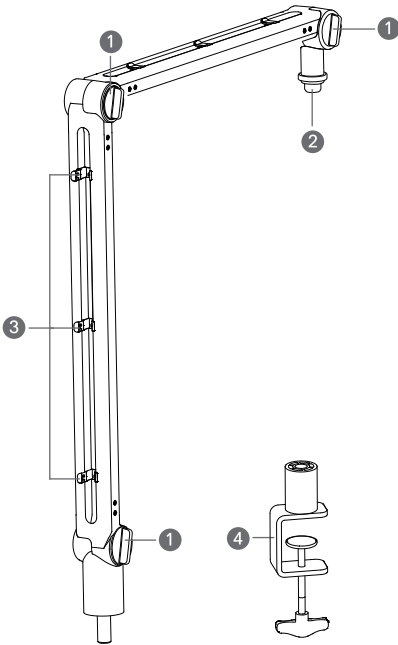
The SR-HC5 is a microphone boom arm, giving users with experience improvements when using their microphone. It can provide a maximum arm reach of 17" (horizontal length) /26" (vertical height).

The boom arm can be attached to a desk via its C-clamp mount, which can offers a stable placement on desktop operation. With its hidden-channel cable management, this boom arm is very ideal for broadcast applications like podcasting, live streaming, content creation and more. Also, it offers a 5/8" to 3/8" threading screw, so you can mount the specified microphone weighing up to 1kg (2.2 lb).

Product Structure

产品结构

- | | |
|-------------------------|-----------------|
| 1. Locking Knob | 1. 固定旋钮 |
| 2. 5/8" to 3/8" Adapter | 2. 5/8"转3/8"转接头 |
| 3. Cable Catch | 3. 线槽 |
| 4. C-Clamp Mount | 4. C型桌型夹 |



感谢您购买Saramonic!

SR-HC5麦克风悬臂支架的特点是可折叠设计，提供了最大水平430mm/垂直663mm长度。它通过C型桌型架安装连接到桌子或书桌上，提供了最大的抓地力。

由于它的内部弹簧和内置线槽，悬臂支架理想的广播应用，如播客，直播，视频内容制作。产品还配置了5/8"转3/8"的转接头，可以安装2斤以内任意类型的麦克风。

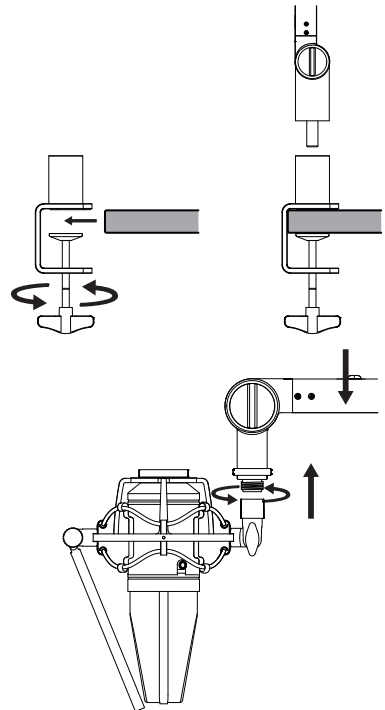
Quick Setup Guide

快速安装操作



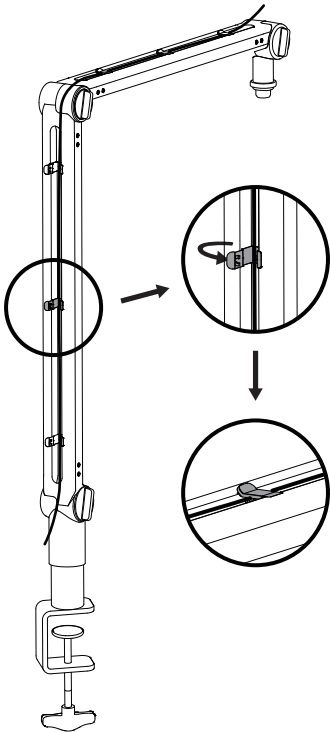
NOTE: Do not attach the clamp on the table with any bumps and hollows.

注意：C型桌型夹不适合安装在圆桌或有凸起的桌面上。



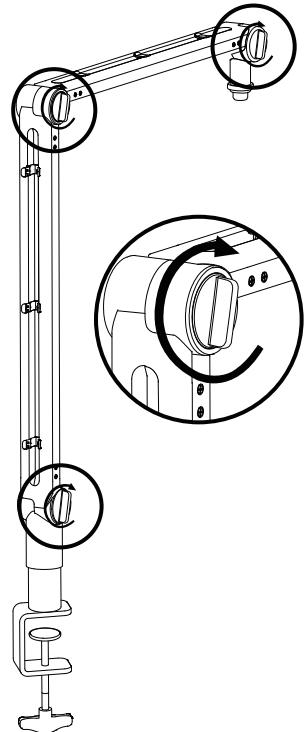
The microphone cable can be placed in the slot to keep neat and clean look while recording process.

在录制过程中，可将麦克风配线收纳紧线槽。



Please adjust the angle of controls to the optimal position.

请根据您的录音角度调节悬臂角度。



Features

- Built-in Cable Catch Designed For Cable Management
- Durable C-Clamp Mount for Table Attachment
- Adjustable Hinge Controls
- Weighs up to 1kg (2.2lb)
- Designed for Professional Broadcast Microphone
- Includes 5/8" to 3/8" Threading Screw

Specifications

Size	Horizontal:430mm (17")
	Vertical: 663mm (26")
Weight	1364g (3lb)

特点

- 内置线槽收纳设计，便于线材管理
- 牢固C型桌型夹
- 角度调节旋钮
- 承载量可达1公斤
- 专为专业广播麦克风设计
- 配置5/8"转3/8"转接头

参数

尺寸	水平方向: 430mm
	垂直方向: 663mm
重量	1364g



Scan the QR code and follow us!
扫描微信关注枫笛公众号

Shenzhen Jiayz Photo Industrial., Ltd
深圳市长丰影像器材有限公司

A16 Building, Intelligent Terminal Industrial Park of Silicon Valley
Power, Guanlan, Longhua District, Shenzhen, China
深圳市龙华区观澜街道大富工业区硅谷动力智能终端产业园A16栋

☎ 400-613-1096 🌐 www.saramonic.com ✉ info@saramonic.com