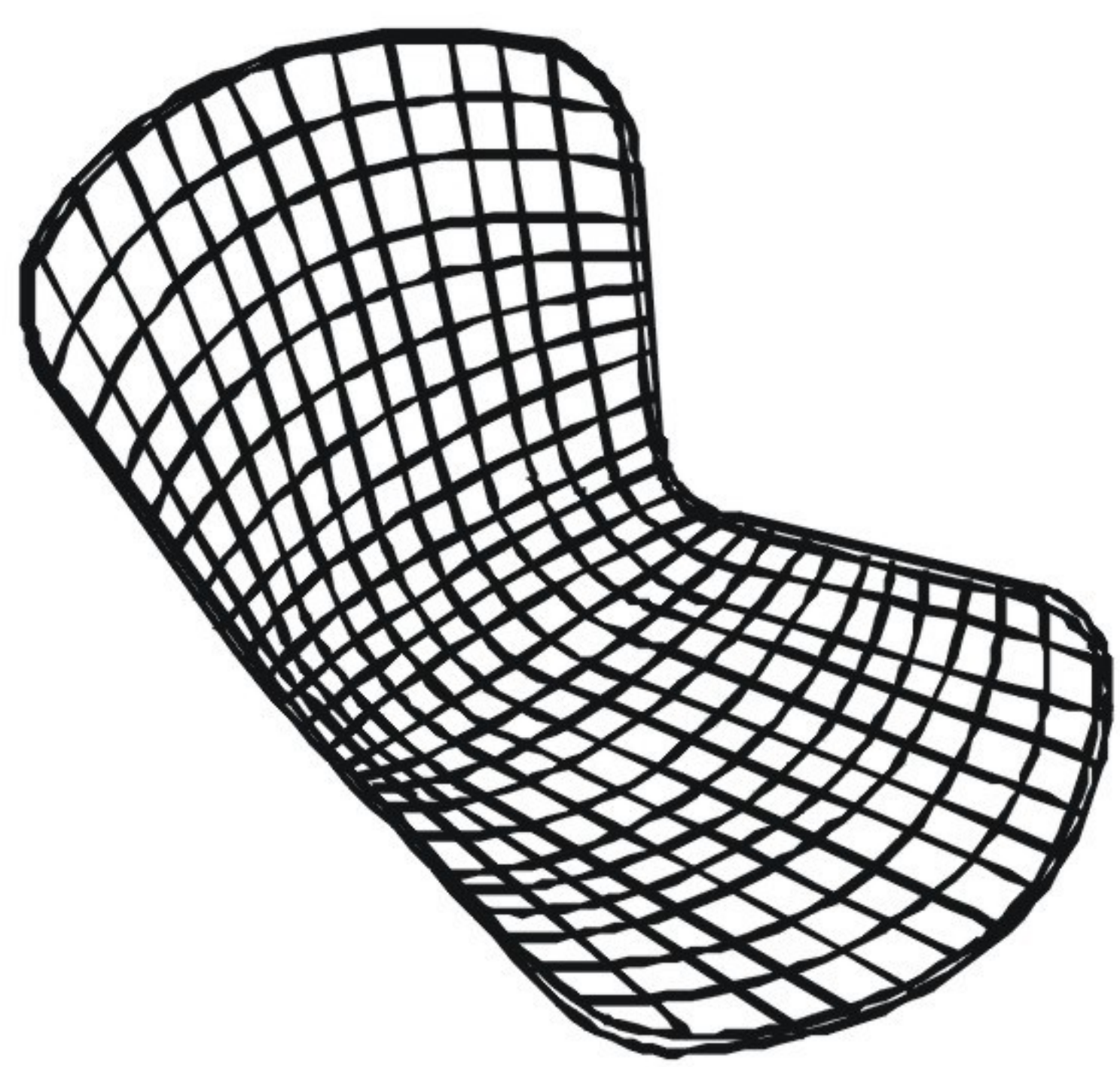
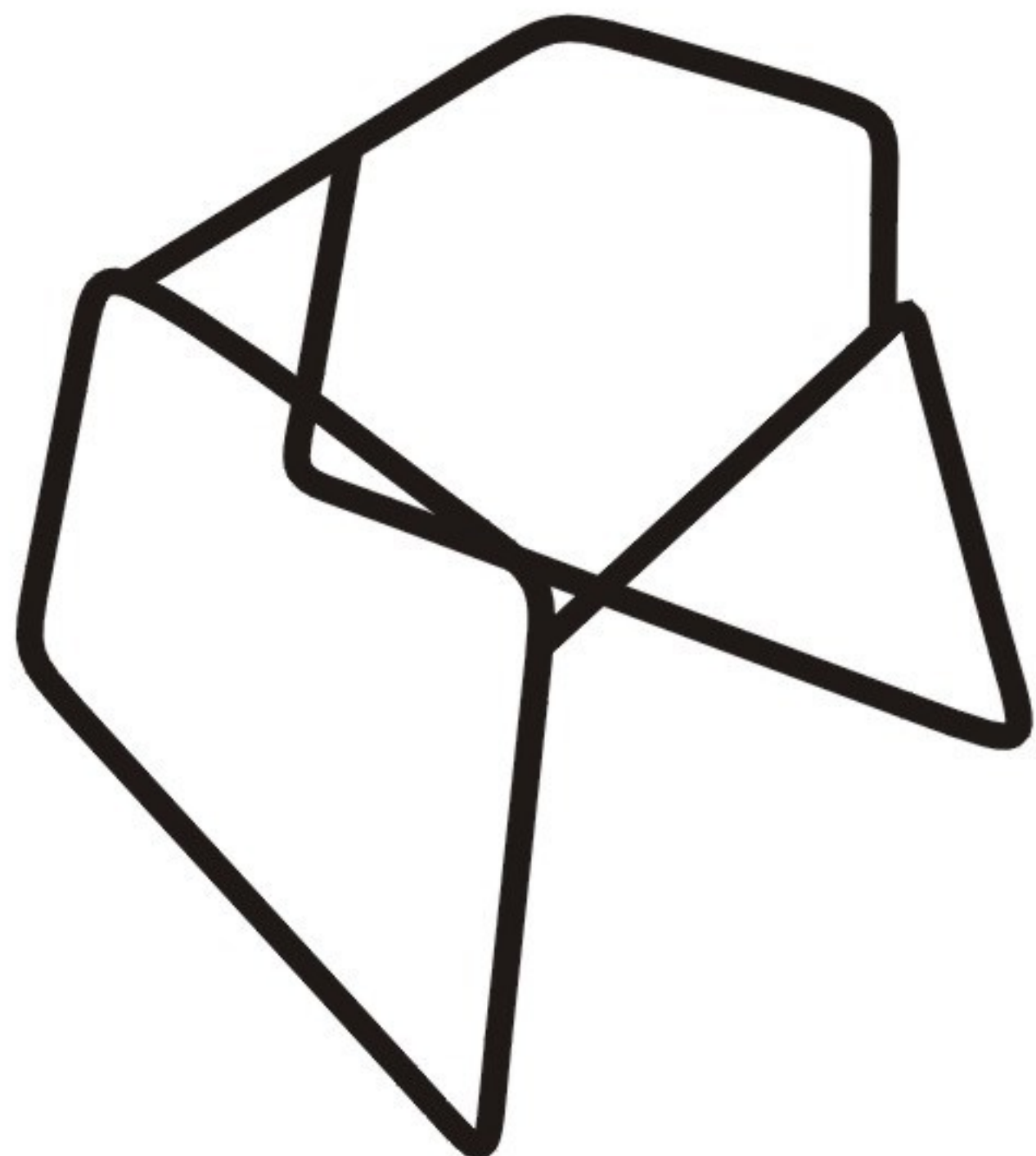

















# ITEM NAME /NOM D' ITEM:WIRE CHAIR

ITEM # /NO. ITEM:188000(CHROME)

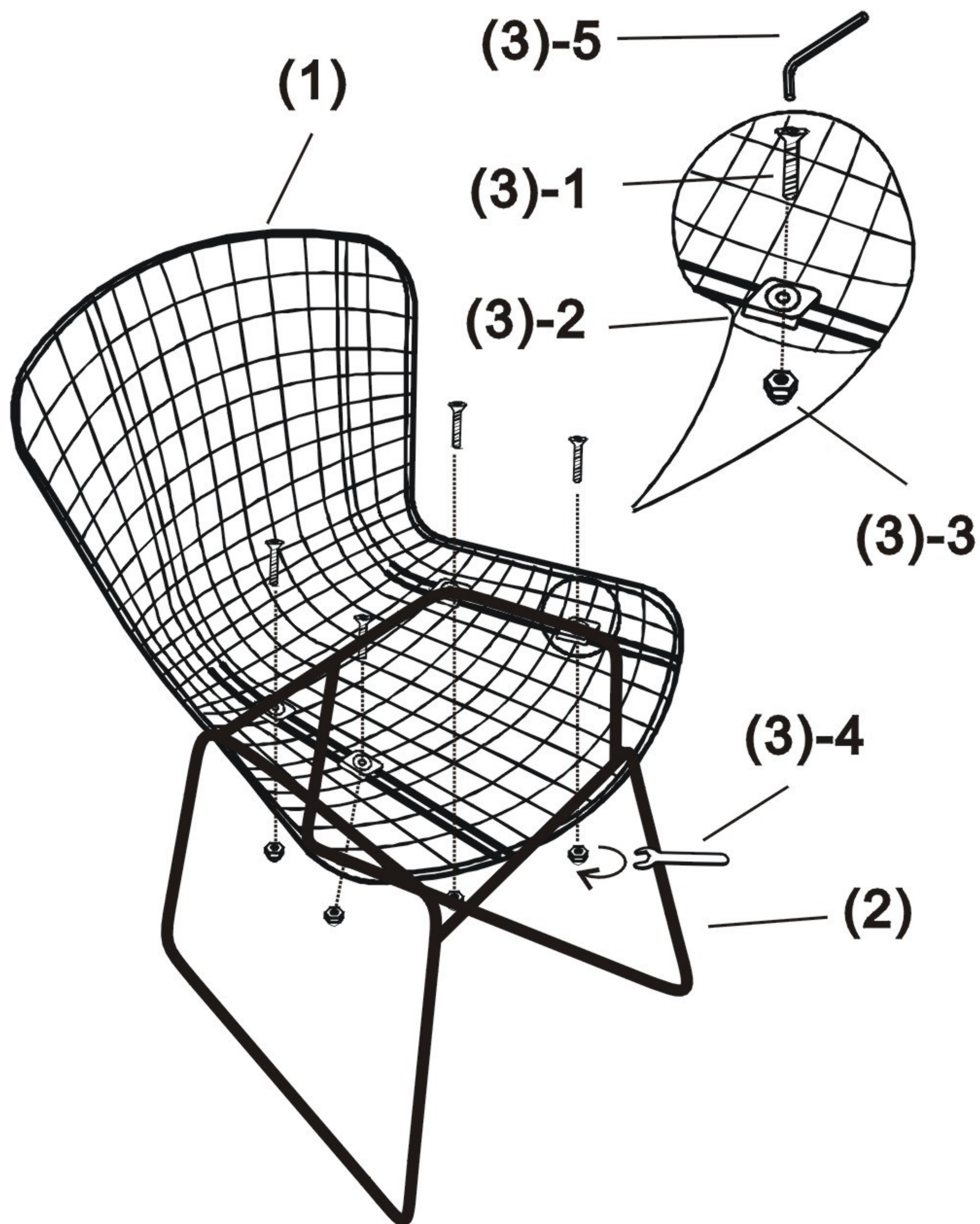
Enquiry:parts@zuomod.com

## PART LIST/Liste des pièces

(1)	(2)	(3)															
 <p>X1</p>	 <p>X1</p>	<table><tr><td>1.</td><td></td><td>X4</td></tr><tr><td>2.</td><td></td><td>X4</td></tr><tr><td>3.</td><td></td><td>X4</td></tr><tr><td>4.</td><td></td><td>X4</td></tr><tr><td>5.</td><td></td><td>X1</td></tr></table>	1.		X4	2.		X4	3.		X4	4.		X4	5.		X1
1.		X4															
2.		X4															
3.		X4															
4.		X4															
5.		X1															

## INSTRUCTION

**A**



**B**

