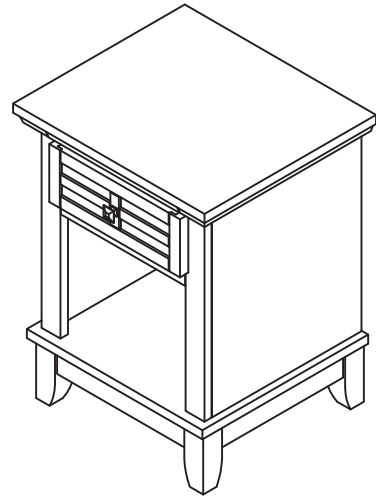


Night Stand



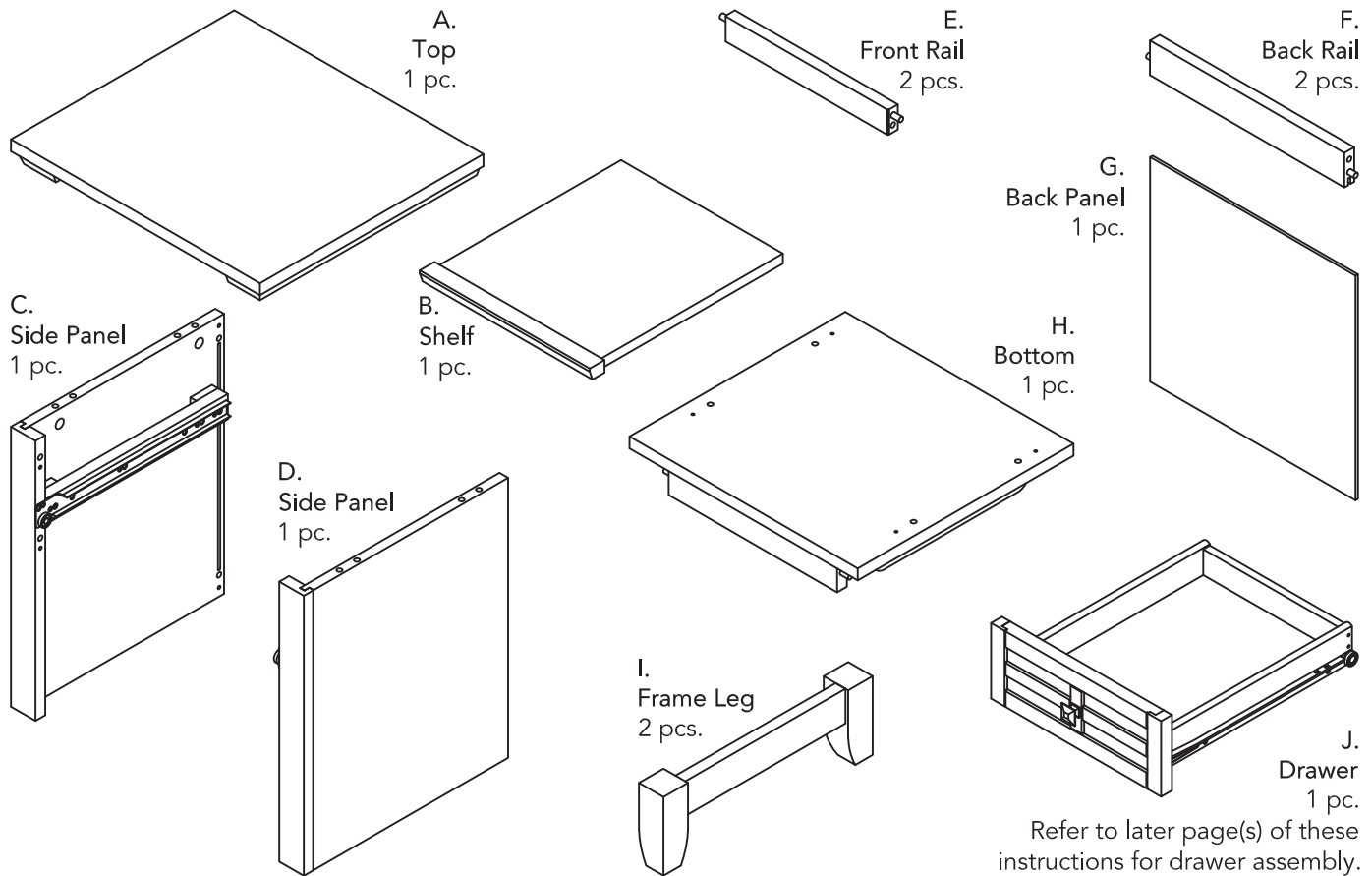
IMPORTANT

Carefully remove all the parts from the carton and place them individually on a soft cloth to prevent scratches or other damage.

Carefully and strictly follow these assembly instructions to ensure a completed product as designed.

Do not use power tools above 8 volts to assemble.

Part List



Hardware List



Cam Lock Screw
12 pcs. (+2 extra)



Cam Lock
12 pcs. (+2 extra)



1 1/4" Round Head Screw (M3x32)
4 pcs. (+1 extra)



5/8" Round Head Screw (M3x16)
4 pcs. (+1 extra)



1 1/4" Flat Head Screw (M3x32)
8 pcs. (+1 extra)



3/4" Flat Head Screw (M3x19)
2 pcs. (+1 extra)



1/2" Flat Head Screw (M3x13)
1 pc. (+1 extra)



Head Cap Bolt (M6x30)
4 pcs. (+1 extra)



Machine Screw (5/32"x1")
1 pc.



Handle
1 pc.



Dowel
8 pcs. (+1 extra)



Stopper
1 pc.



Hex Wrench
1 pc.



Small Hex Wrench
1 pc.

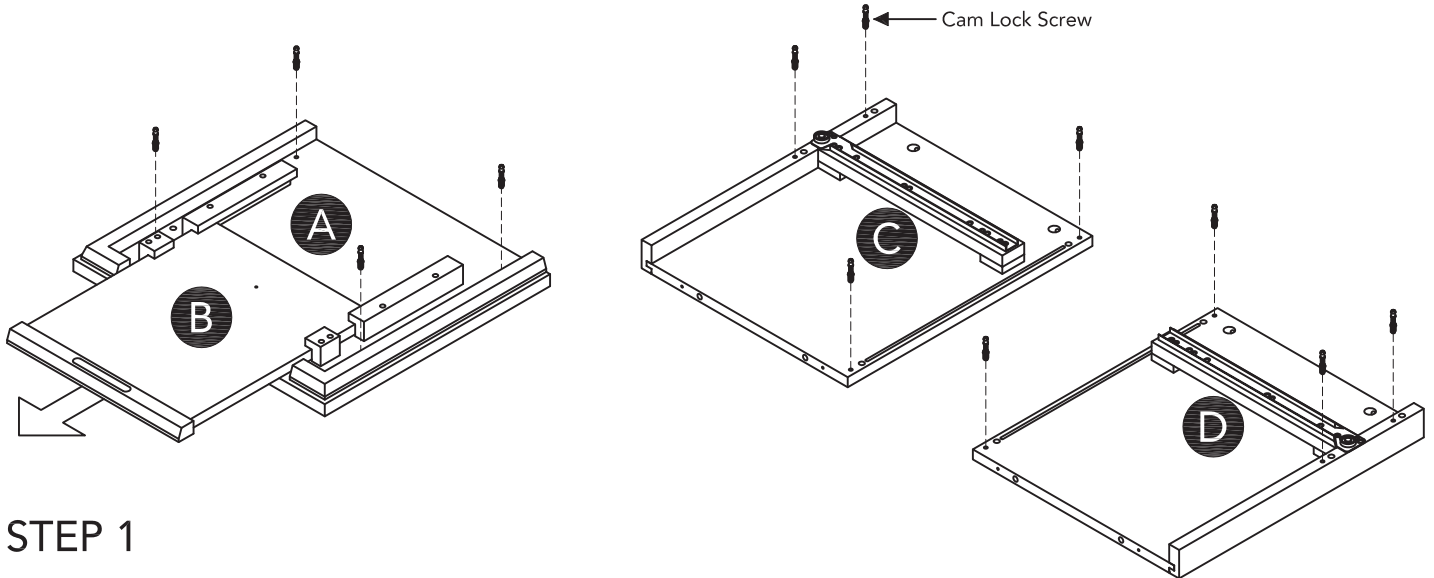
Tool(s) required for assembly: Phillips screwdriver

homestyles Customer Service: www.homestylesfurniture.com,
servicedesk@homestylesfurniture.com, 888-680-7460

Assembly Instructions 2/7

IMPORTANT

- Use a soft cloth between these parts and the floor.
- Do not use power tools above 8 volts to assemble.
- Do not tighten all the screws until each part is properly assembled.
- Keep Hex Wrench as the Head Cap Bolts may need to be tightened in the future.



STEP 1

Pull out Shelf (B) from Top (A).

Insert Cam Lock Screws into pre-drilled holes in Top (A) and Side Panels (C), (D), then tighten.

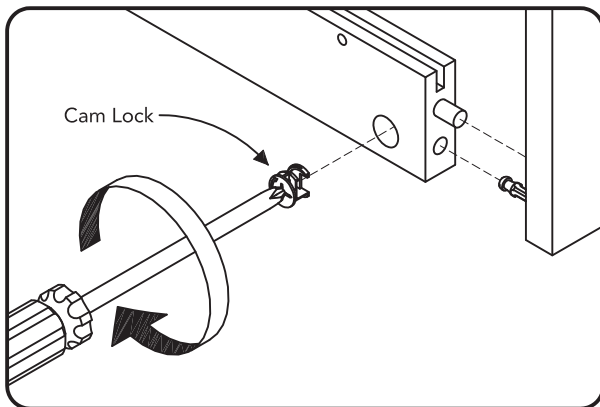


Figure 1

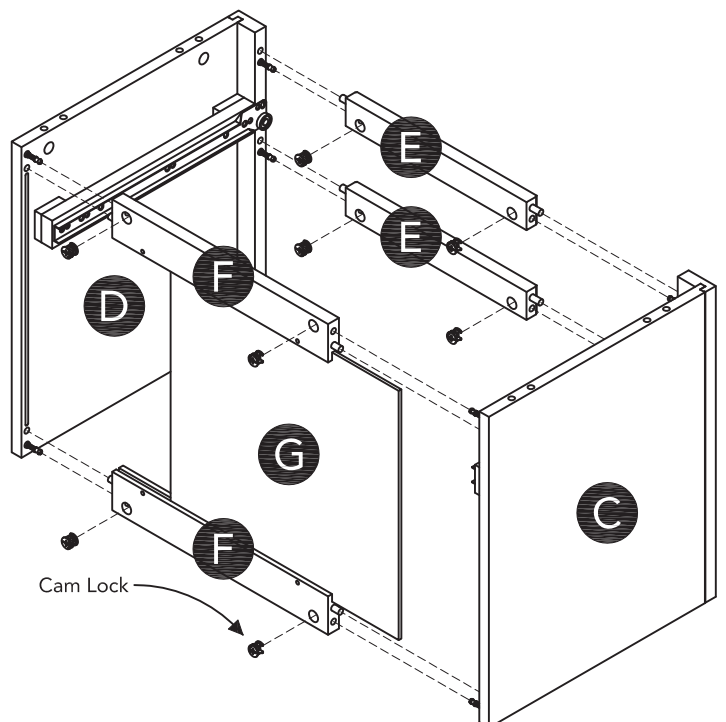
STEP 2

Attach Back Rails (F) to Side Panel (C) with Cam Locks. (See Figure 1)

Slide Back Panel (G) into position.

Attach Front Rails (E) to unit with Cam Locks.

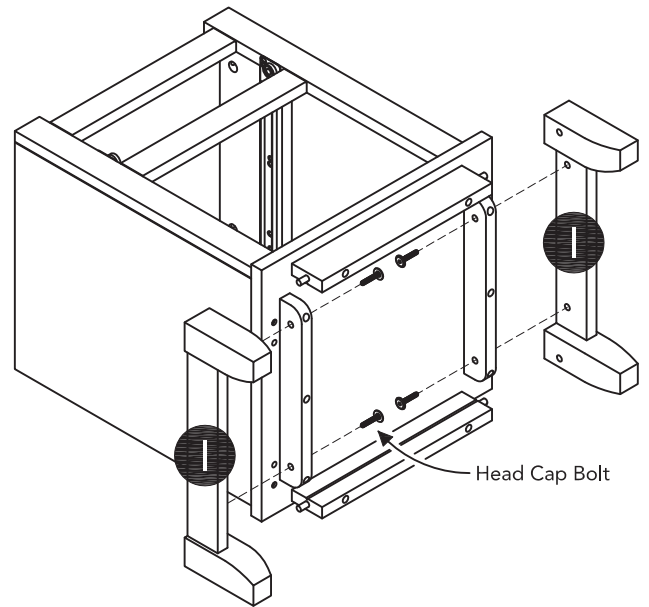
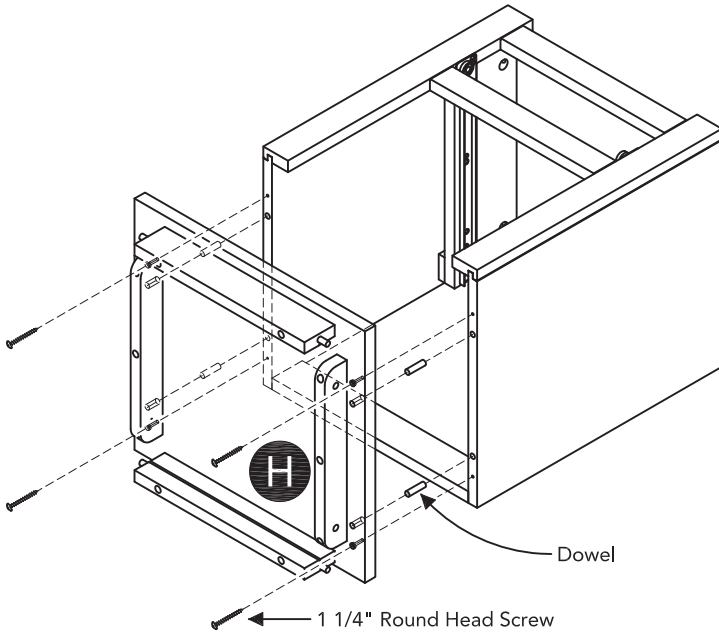
Attach Side Panel (D) to unit with Cam Locks.



Assembly Instructions 3/7

STEP 3

Attach Bottom (H) to unit with 1 1/4" Round Head Screws and Dowels.



STEP 4

Attach Frame Legs (I) to unit with Head Cap Bolts.

Tighten all bolts with Hex Wrench.
(See Figure 2)

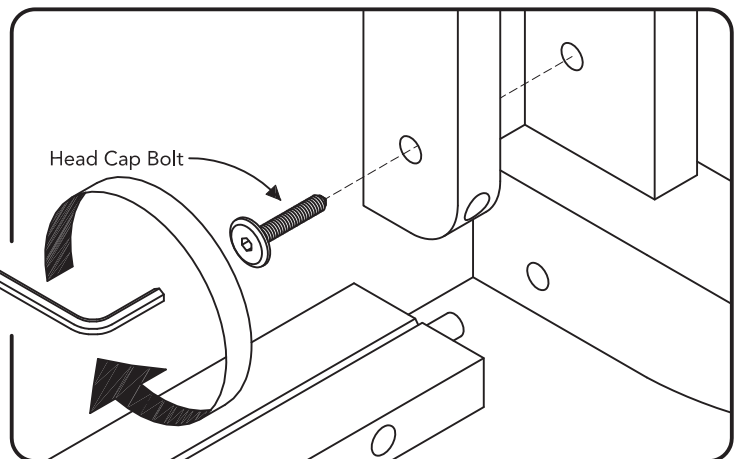
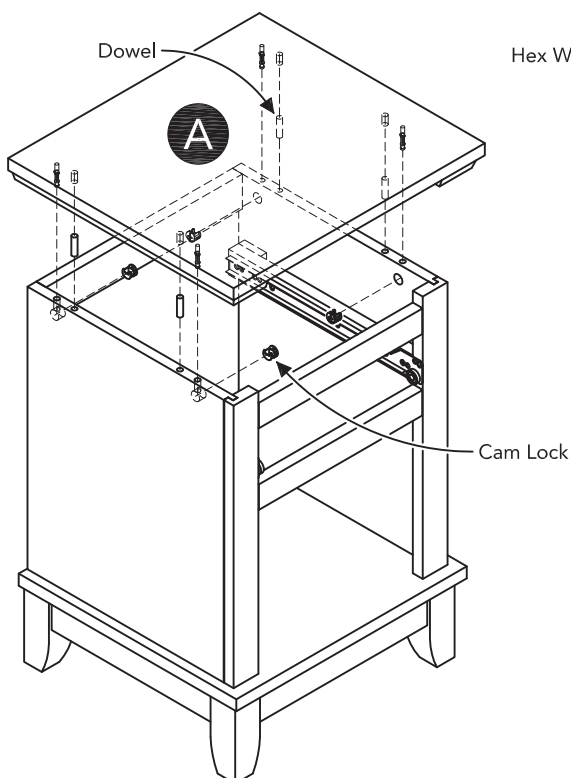


Figure 2

STEP 5

Attach Top (A) to unit with Cam Locks and Dowels.

Assembly Instructions 4/7

STEP 6

Slide Shelf (B) into Top (A) of unit.

Attach Stopper with 1/2" Flat Head Screw into pre-drilled hole in Shelf (B).
(See Figure 3)

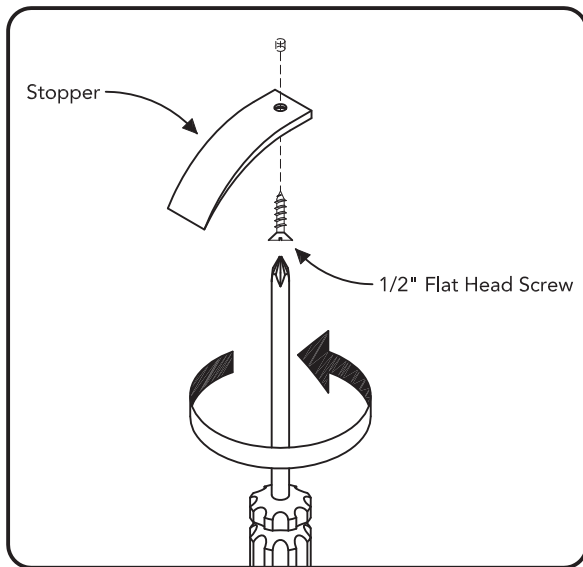
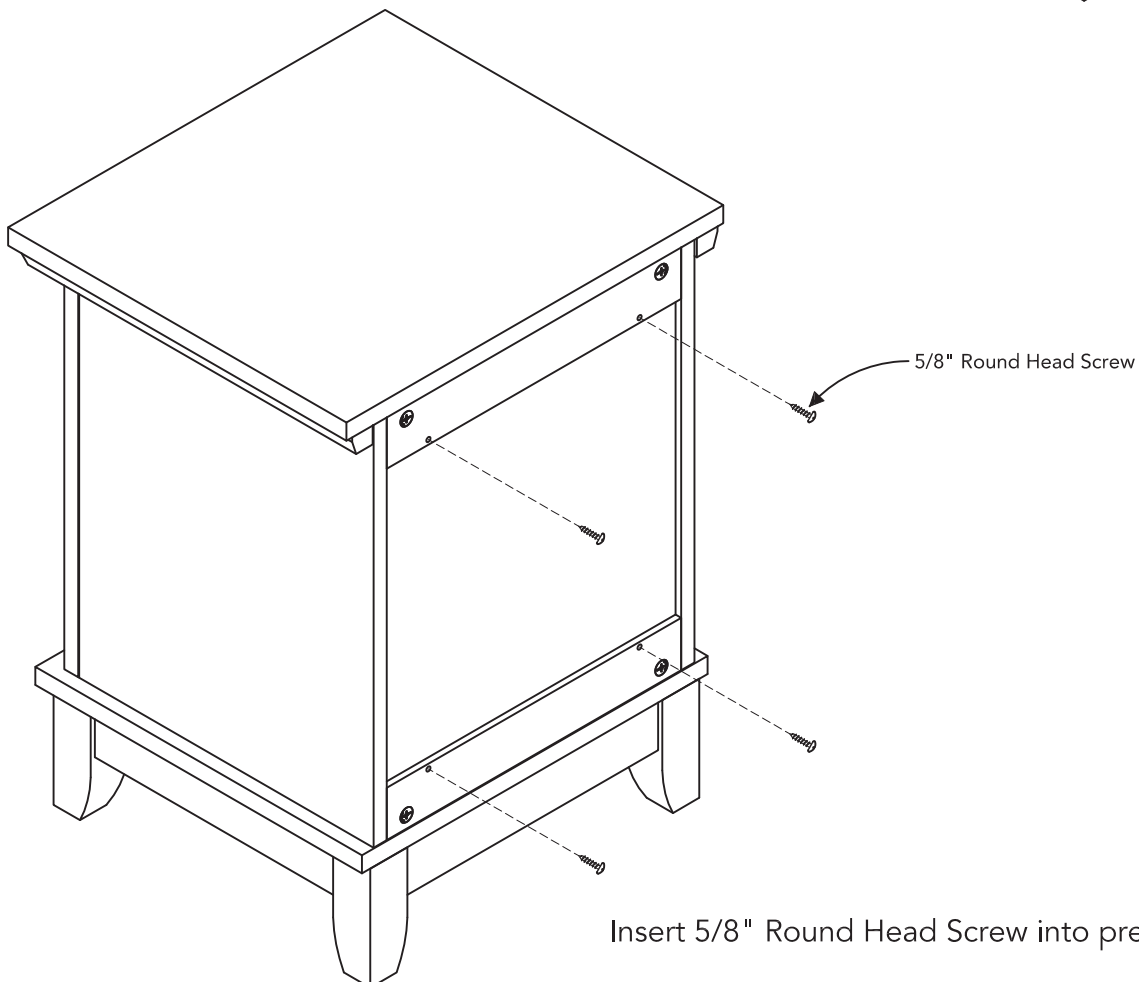
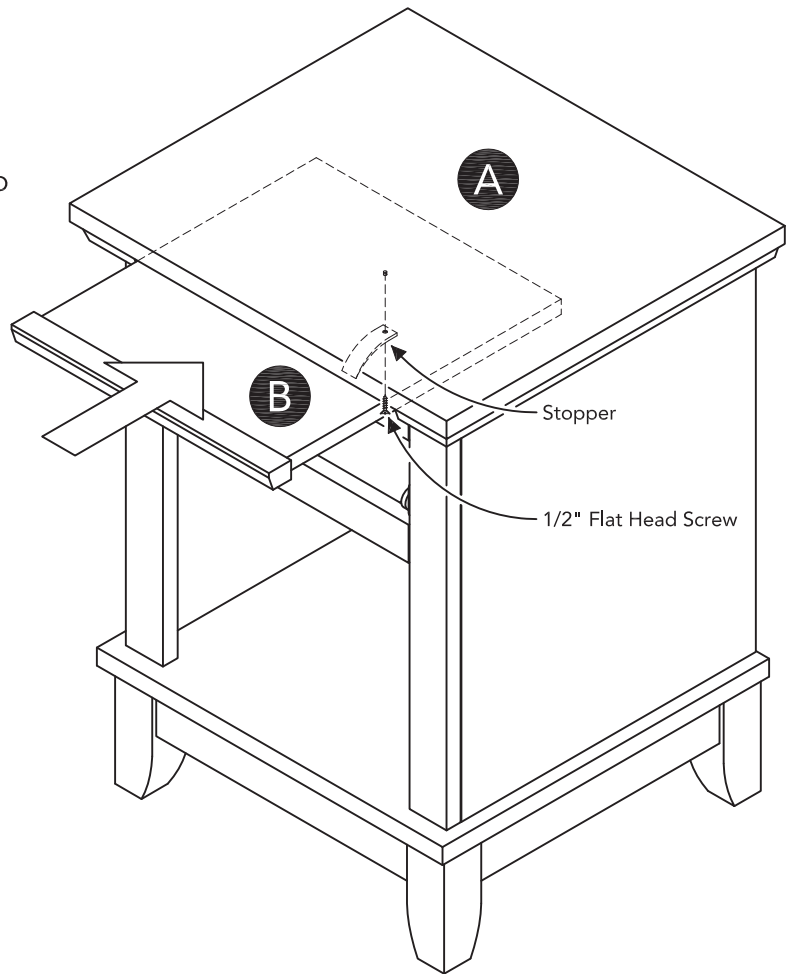


Figure 3

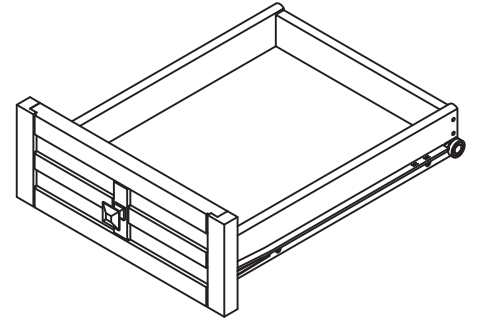
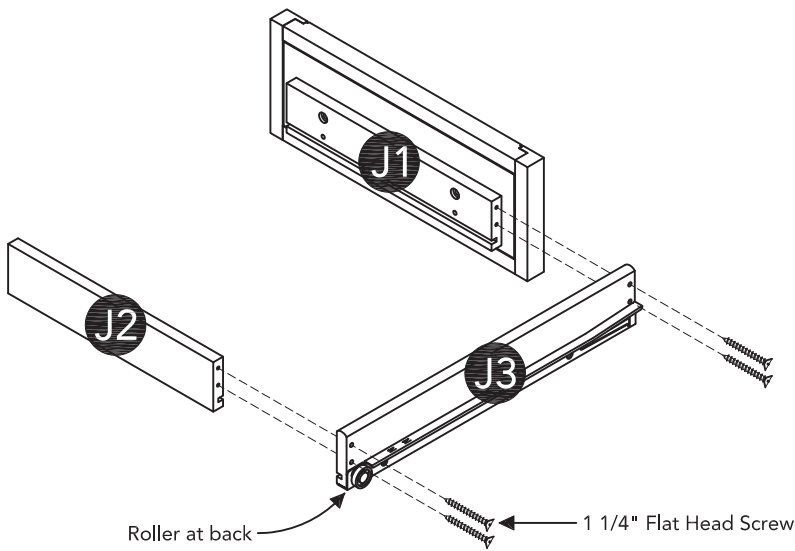


STEP 7

Insert 5/8" Round Head Screw into pre-drilled holes in unit, then tighten.

Assembly Instructions 5/7

Drawer (J)



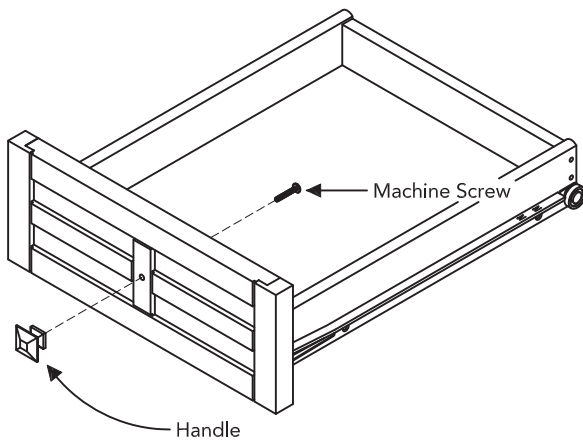
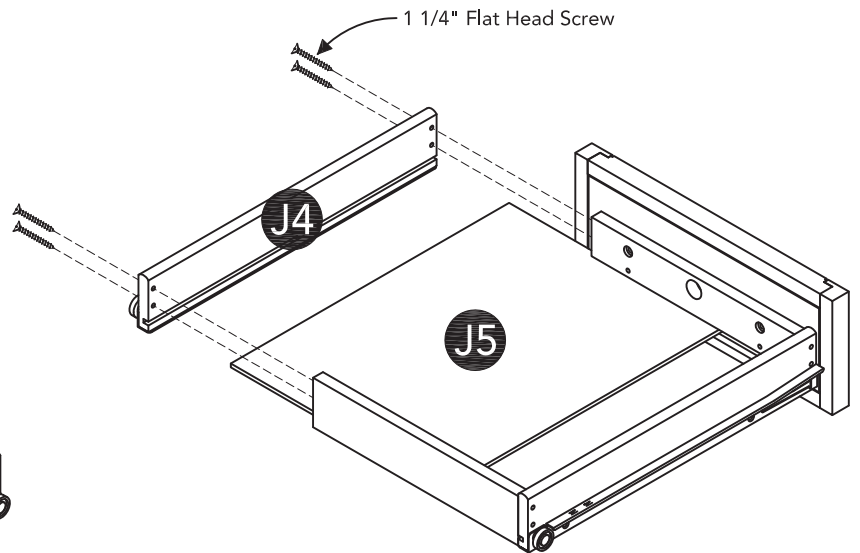
STEP 8

Attach Drawer Side (J3) to Drawer Front (J1) and Drawer Back (J2) with 1 1/4" Flat Head Screws.

STEP 9

Insert Drawer Bottom (J5) into groove.

Attach Drawer Side (J4) to unit with 1 1/4" Flat Head Screws.

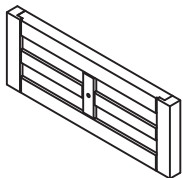


STEP 10

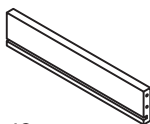
Attach Handle with Machine Screw.

Note: Drawer assembly is not complete until 3/4" Flat Head Screws are used in a later step.

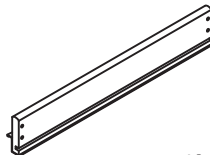
Part List



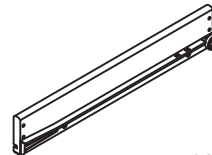
J1.
Drawer Front
1 pc.



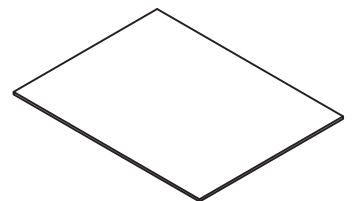
J2.
Drawer Back
1 pc.



J3.
Drawer Side
1 pc.



J4.
Drawer Side
1 pc.

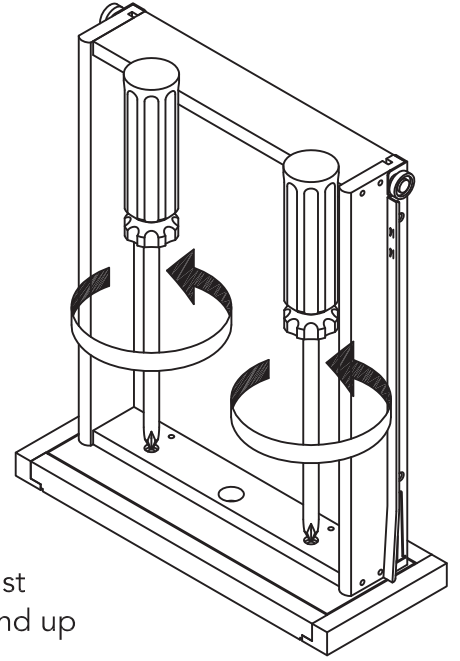
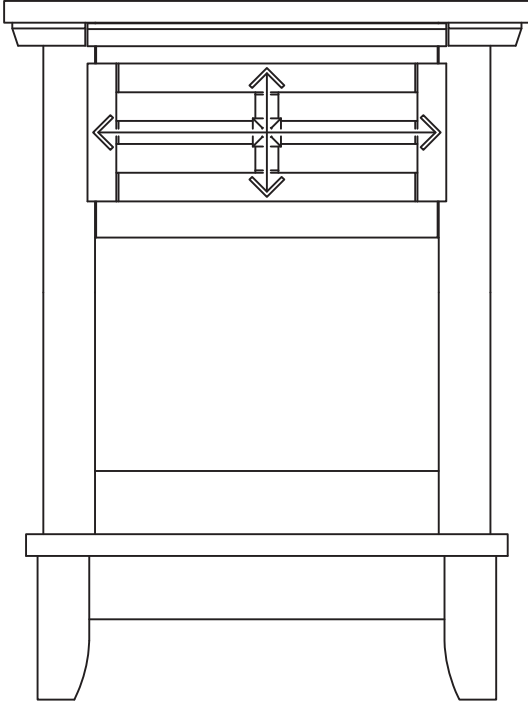


J5.
Drawer Bottom
1 pc.

Assembly Instructions 6/7

STEP 11

Loosen slightly the screws pre-installed on back of drawer front.



STEP 12

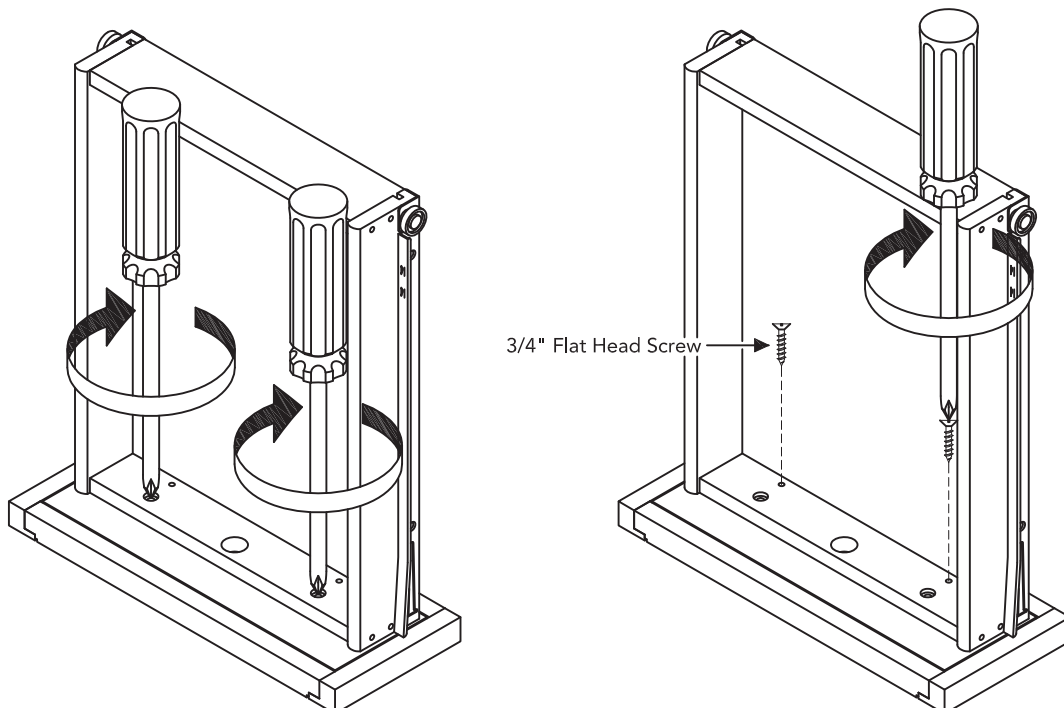
Insert drawer into unit, then adjust drawer front panel left or right and up or down until drawer gaps look proportional.

STEP 13

Pull drawer open slowly and re-tighten screws from Step 11.

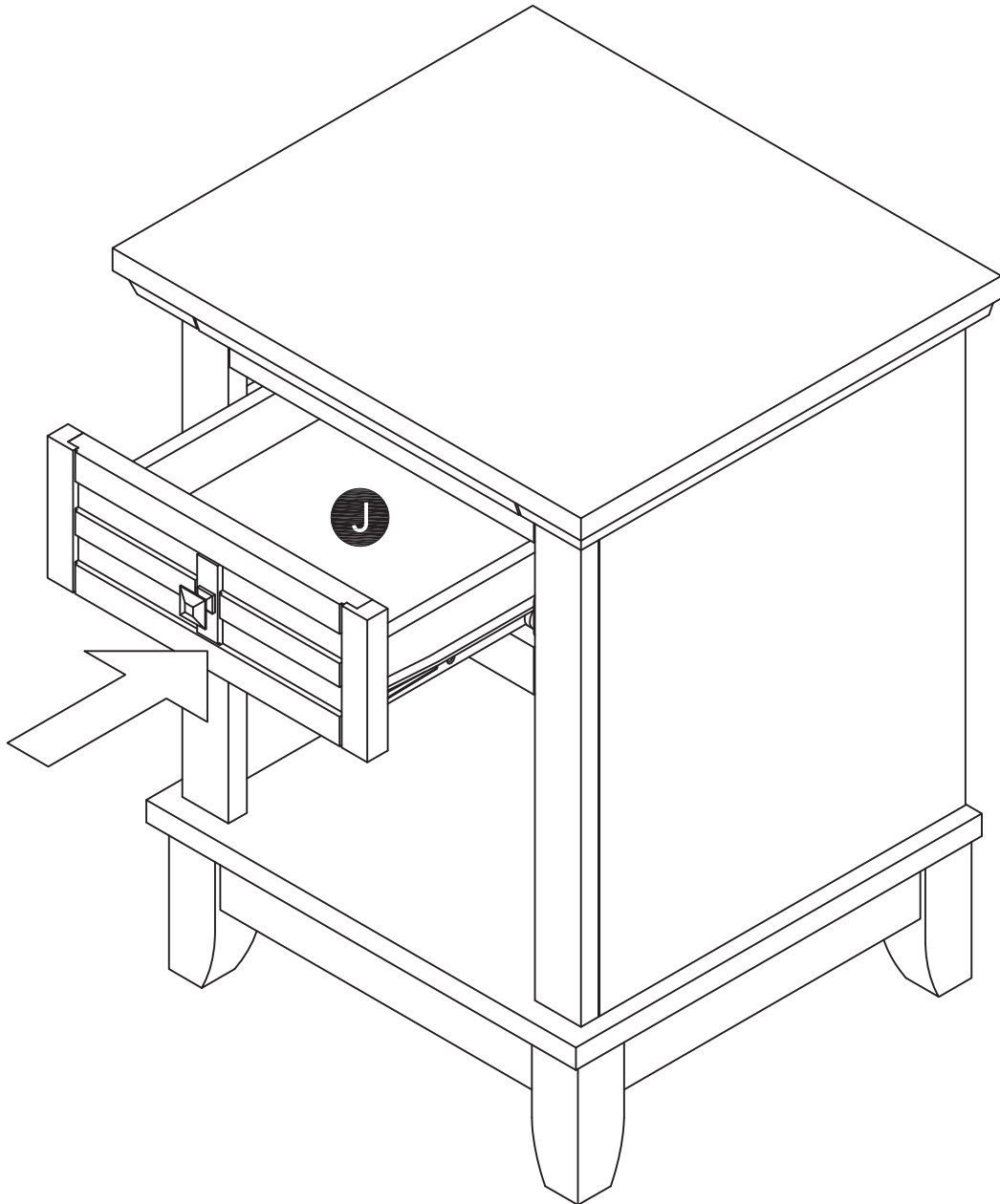
Make sure drawer front panel does not move and lock drawer front panel into position with 3/4" Flat Head Screws.

Note: These 3/4" Flat Head Screws must be installed to complete the drawer assembly.



STEP 14

Slide Drawer (J) into place.



CARE INSTRUCTIONS

NEVER

allow liquids to remain on furniture.
Absorption causes parts to warp
and split and finishes to delaminate.

NEVER

use glass cleaners on
finished furniture. Ammonia
chemically attacks the finish.



Do not use power tools
above 8 volts to assemble.

**PREVENT
CRACKING**



Do not place
in direct sunlight.

**PREVENT
FADING**



Do not write
directly on surface.

**PREVENT
MARKING**



Do not place hot
objects on surface.

**PREVENT
FINISH DAMAGE**



Do not use rubber
based placemats.

**PREVENT
DISCOLORING**



Do not use commercial
waxes and polishes.

**PREVENT
YELLOWING**

CLEAN

with a soft cloth moistened
in lukewarm soap and water.
Buff with a dry clean cloth.



homestyles will provide replacements free of charge for missing or damaged parts within 30 days of purchase. Digital images of the defective parts may be required. If the product was not purchased from an authorized retailer, **homestyles** is under no obligation to provide replacement parts. Parts are not available for fully assembled items nor are parts available for sale. Replacements for missing or damaged parts may be requested via contact info below.

homestyles Customer Service: www.homestylesfurniture.com,
servicedesk@homestylesfurniture.com, 888-680-7460