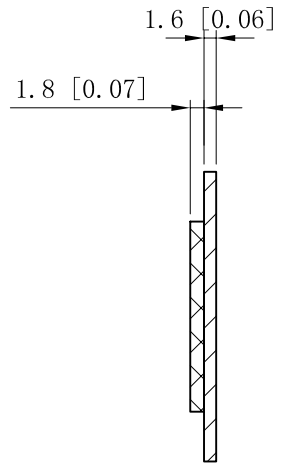
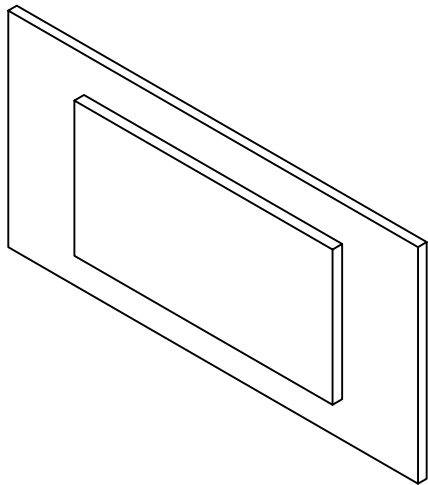
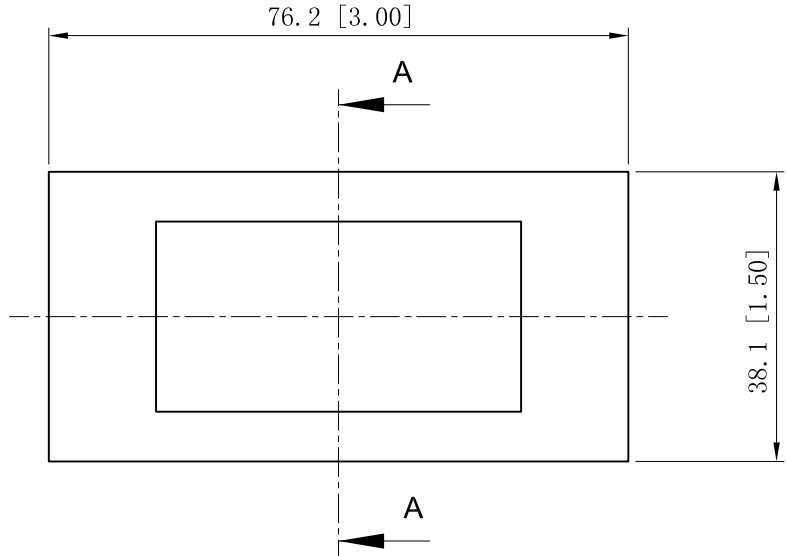


SIDES	BOTTOM
Material: Steel-0.0625"-G60 Galvanized	



VIEW A-A



This data sheet is for reference only .GARVIN INDUSTRIES reserves the right to make changes to the design without prior notice.

DESCRIPTION
TRADE REFERENCE TERMS

STANDARD PACKING
100 PCS

<b>GARVIN INDUSTRIES</b>		
TITLE <b>SAFETY PLATES</b>		
SIZE A4	DWG NO. SP-3-MS	REV
DATA SHEET		