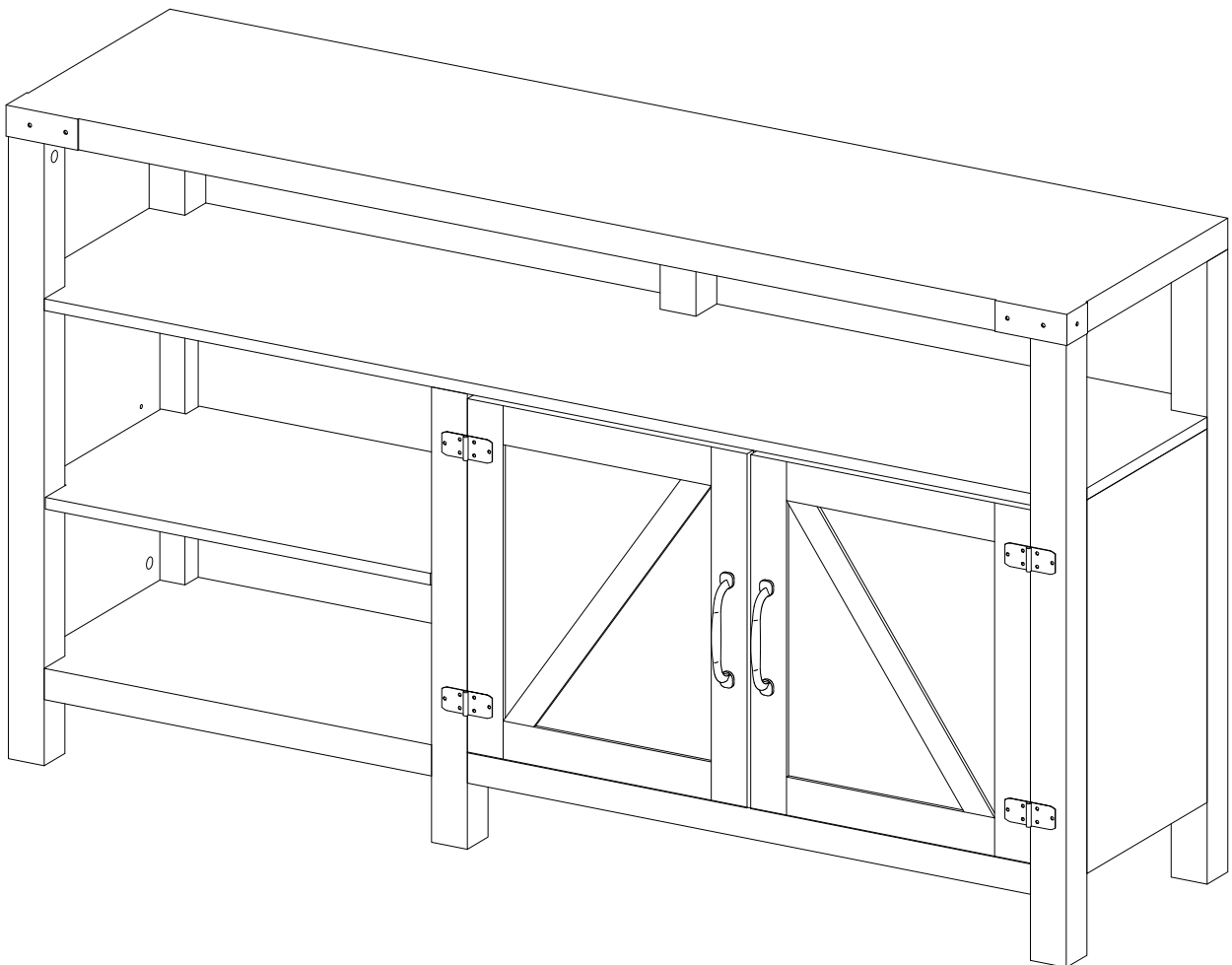


W Walker[®]
Edison
furniture company

Item # : W58BDHB
Assembly Instructions

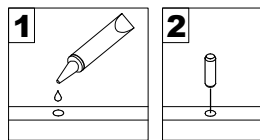


Please visit our website for the most current instructions, assembly tips, report damage, or request parts. www.walkeredison.com

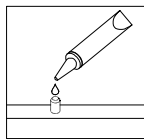
Revised 01/2018

General Assembly Guidelines

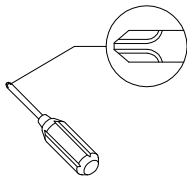
- I. Ensure that all parts and hardware are available before beginning assembly.
- II. Follow each step carefully to ensure the proper assembly of this product.
- III. Two people are recommended for ease in the assembly of this product.
- IV. The three main types of hardware used to assemble this product are : wood dowels , screws and bolts.
- V. The provided glue is to secure wood dowels in place . When first inserting dowels , locate the appropriate hole for the dowel , place a small amount of glue in the hole and insert the dowel . Wipe away excess glue immediately.



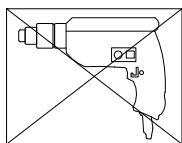
In future assembly steps when dowels are necessary to attach assembly parts together , place a small amount of glue on the end of the dowel before attaching parts together . Wipe away excess glue immediately.



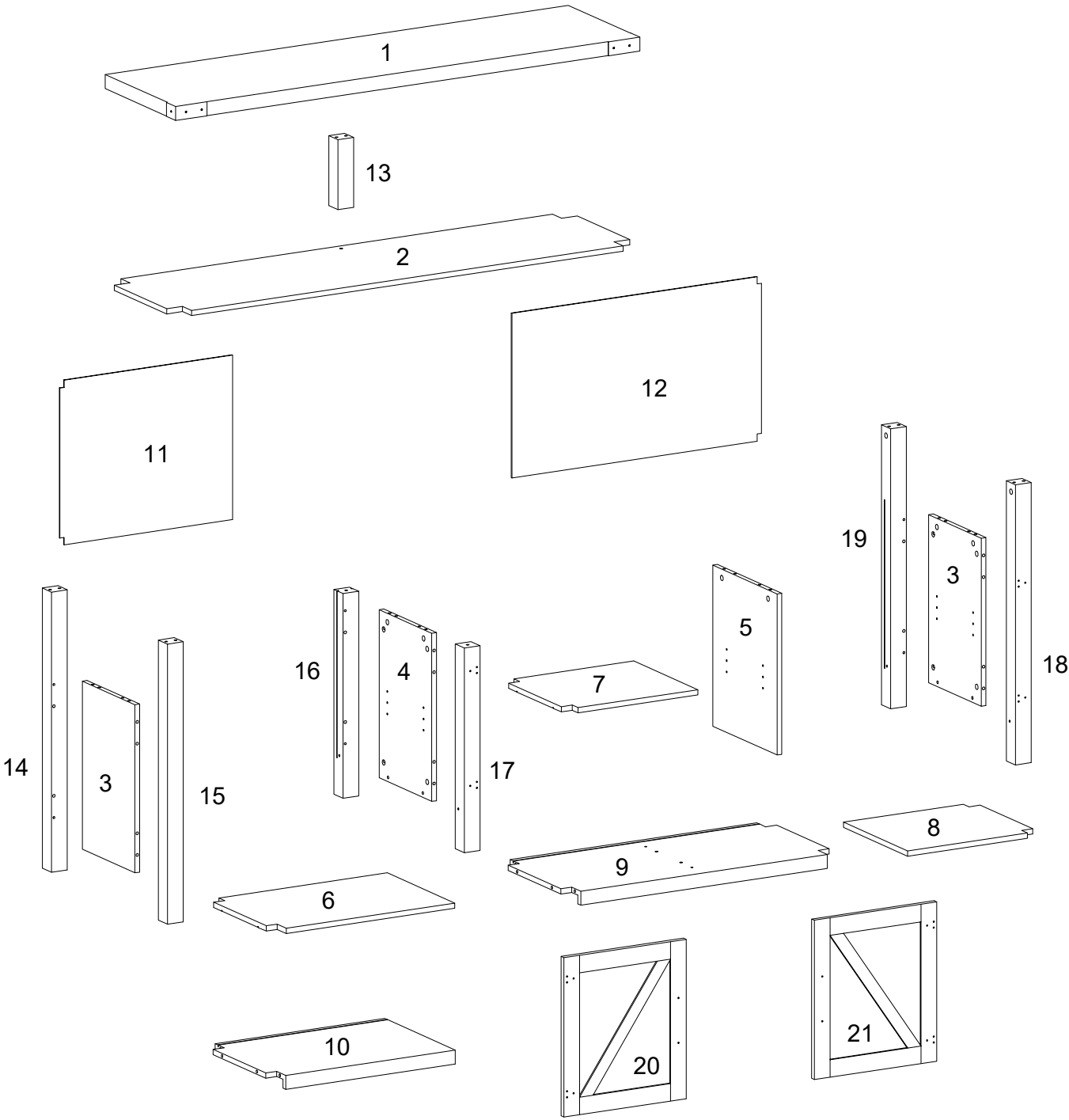
- VI. A Phillips head screwdriver is required for the assembly of this product .










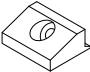
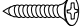
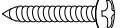
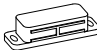
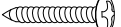
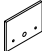
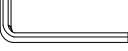


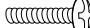
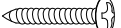

- VII. Power tools should not be used to assemble this product .

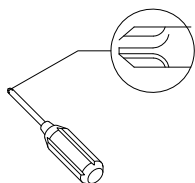


Parts List



Hardware List

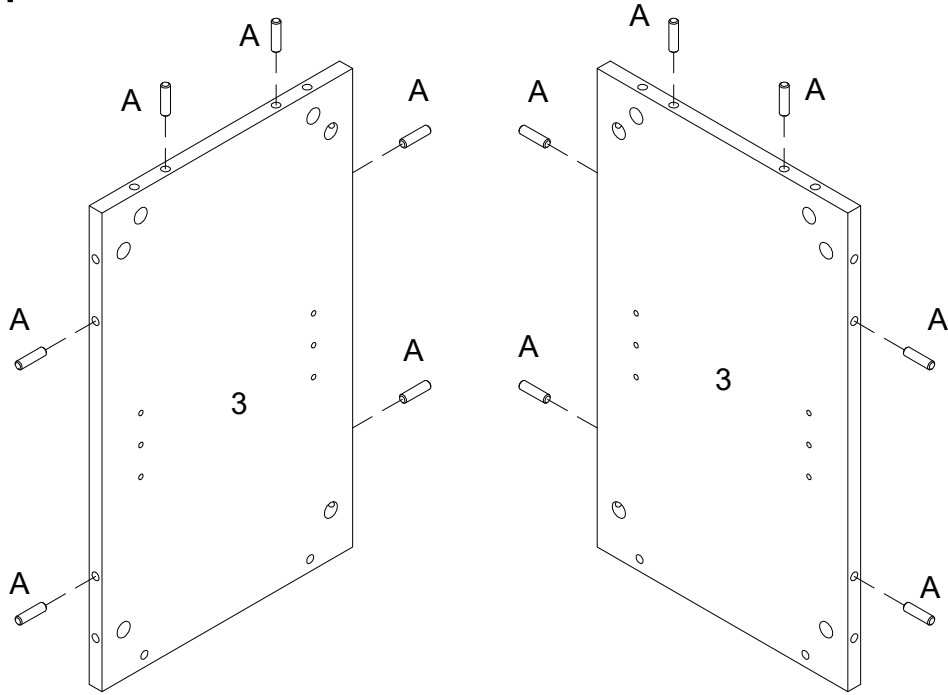
A		Ø8x30mm	Wooden dowel	33 pcs
B		Ø8x50mm	Wooden dowel	2 pcs
C		Ø15x11mm	Cam lock	33 pcs
D		Ø6x32mm	Cam lock	33 pcs
E		Ø30mm	Sticker	33 pcs
F		Ø6x50mm	Bolt	3 pcs
G		Ø8x5x16mm	Shelf support pin	12 pcs
H			Plastic wedge	8 pcs
J		Ø3x17	Screw	8 pcs
K		Ø3x12	Screw	24 pcs
L			Door stopper	2 pcs
M		Ø3x12	Screw	2 pcs
N			Metal piece	2 pcs
P		M 4	Wrench	1 pcs
Q			Hinge	4 pcs
R			Handle	2 pcs
S		Ø4x22mm	Handle Bolt	4 pcs
T		Ø3x15	Screw	4 pcs
U			Glue tube	1 pcs



Philips head screwdriver required for assembly
(not included)

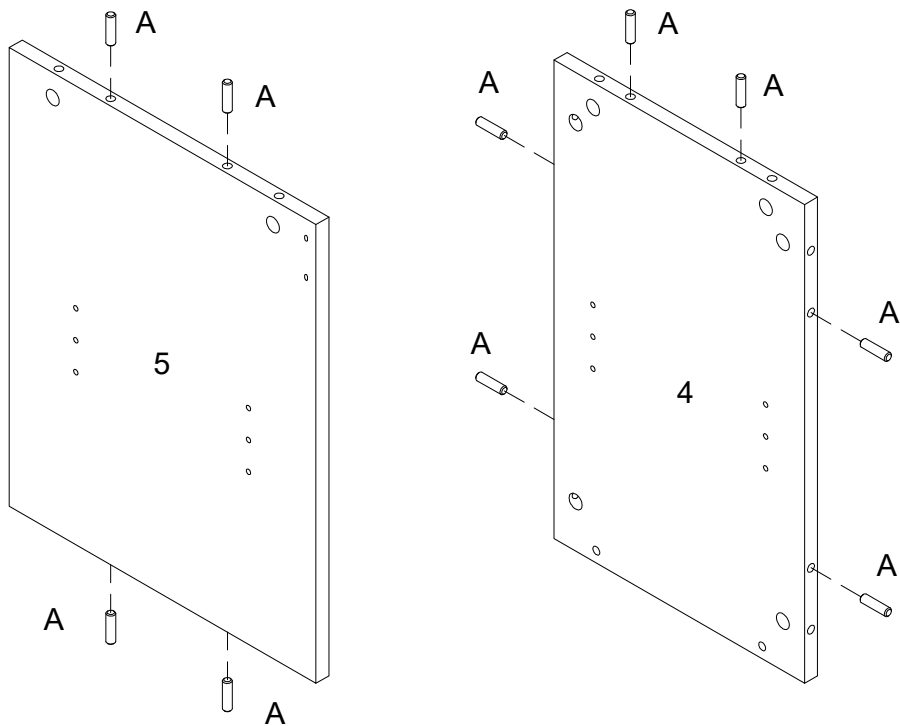
*The hardware quantities listed above are required for proper assembly.
Some extra hardware may also have been included.*

Step 1



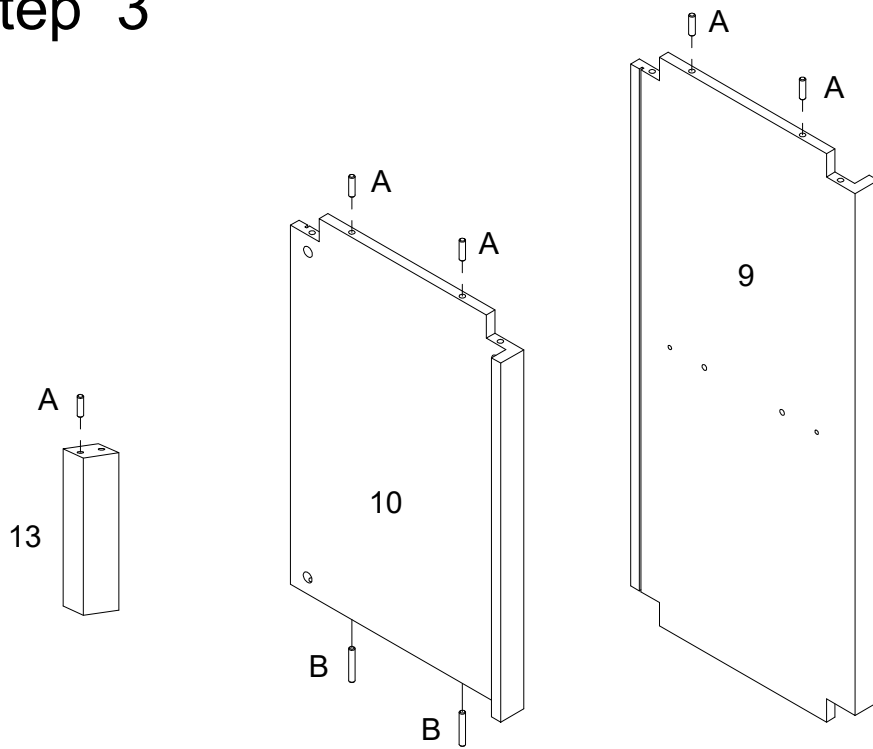
Insert wooden dowels (A) to parts (3).

Step 2



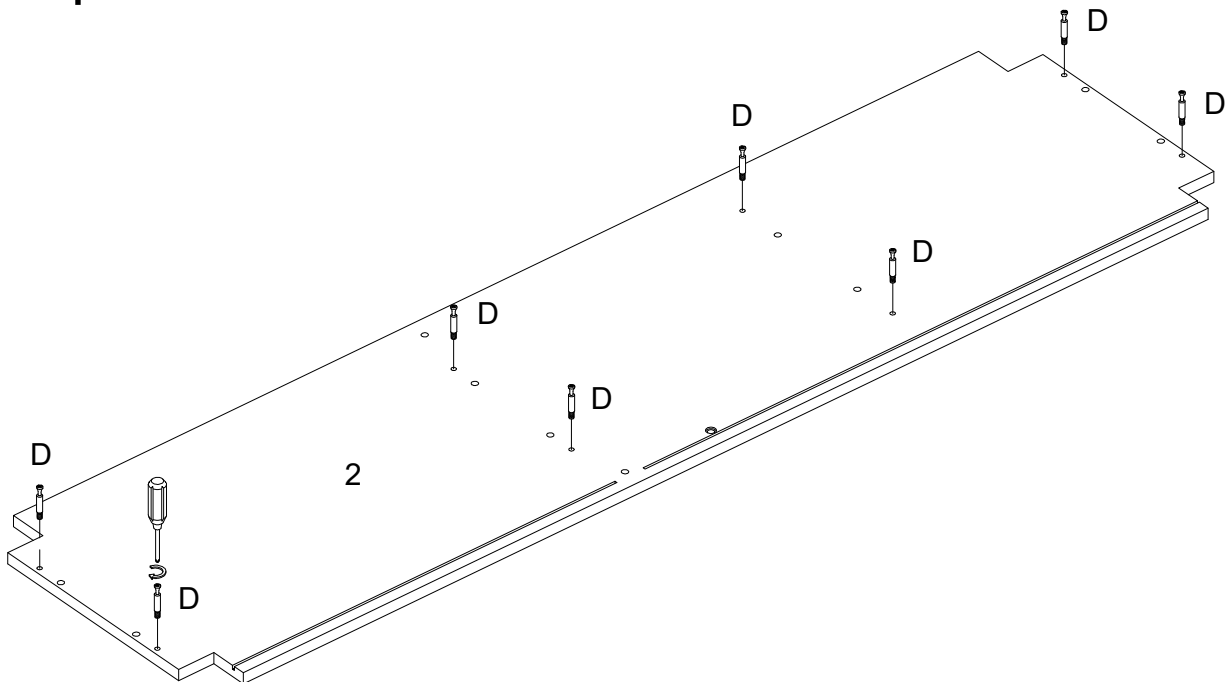
Insert wooden dowels (A) to parts (4,5).

Step 3



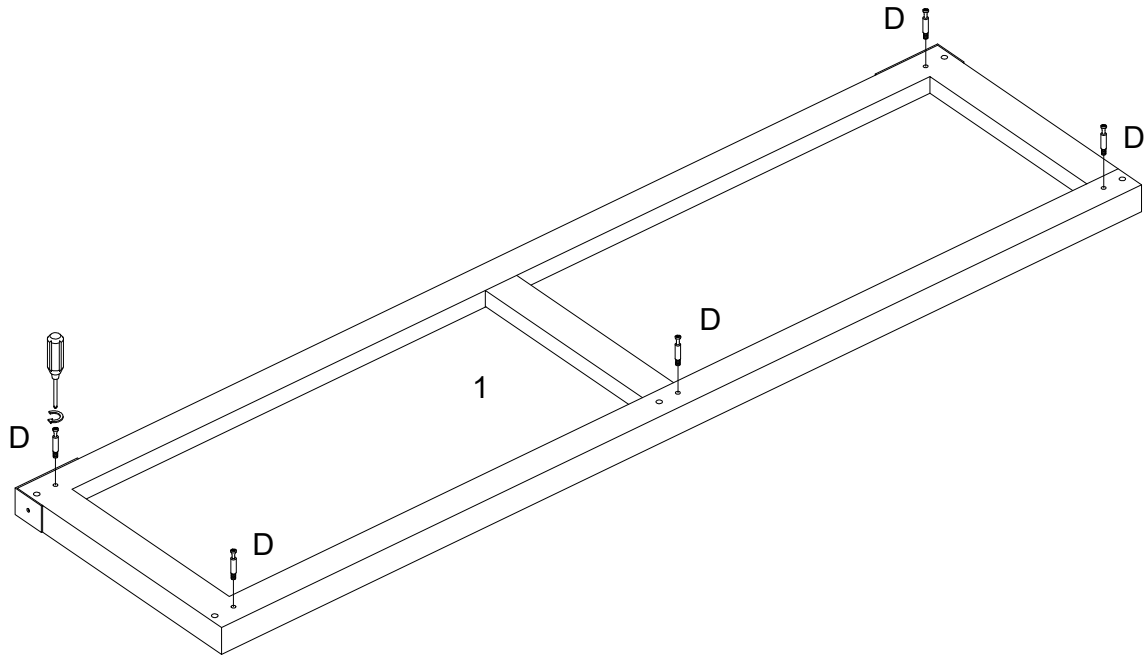
Insert wooden dowel (A) to parts (9,10,13).

Step 4



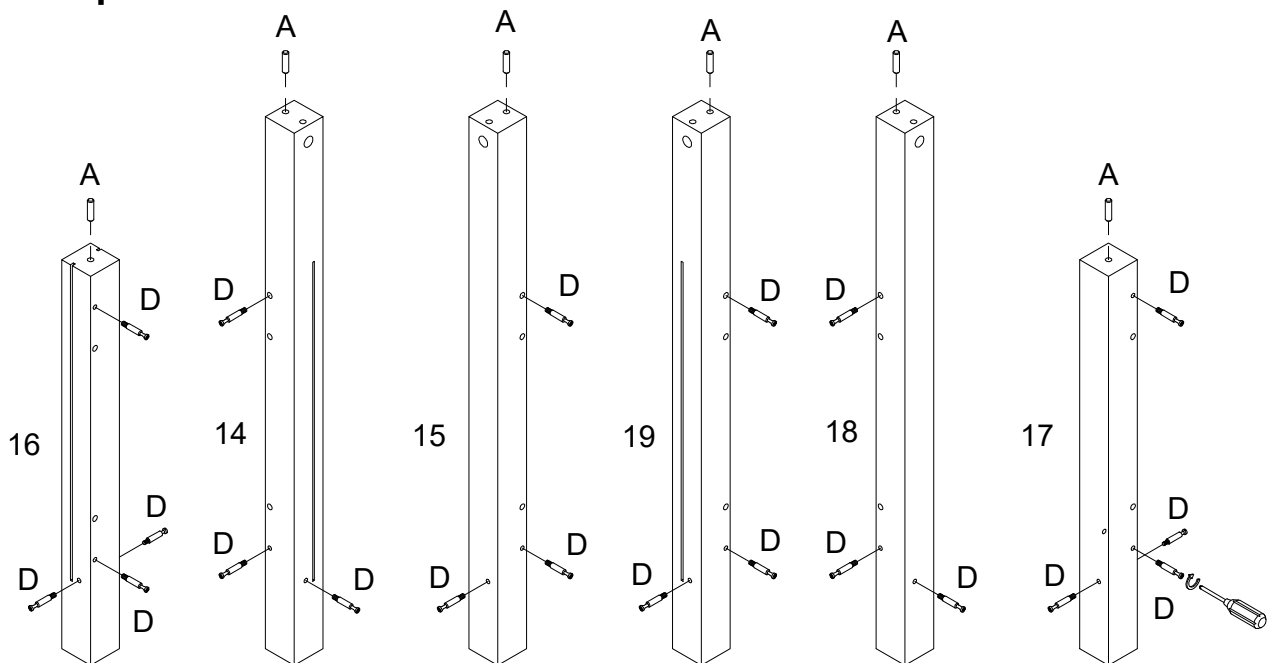
Attach cam bolts (D) to part (2).

Step 5



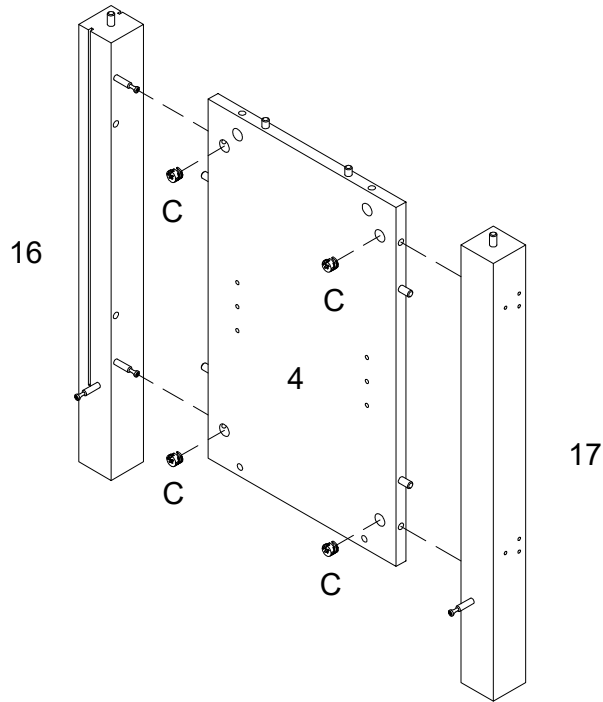
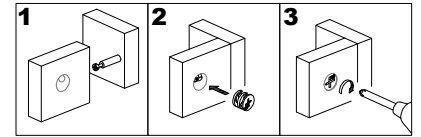
Attach cam bolts (D) to part (1).

Step 6



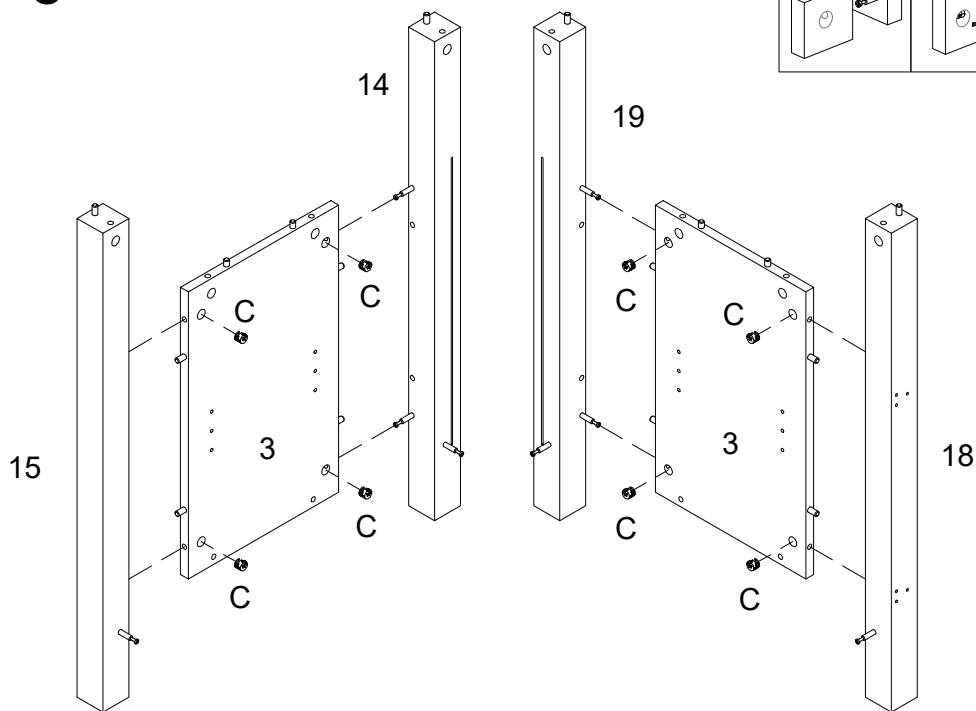
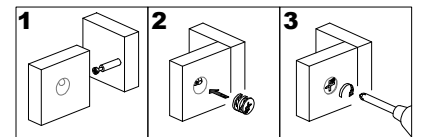
Attach cam bolts (D) to parts (14,15,16,17,18,19).

Step 7



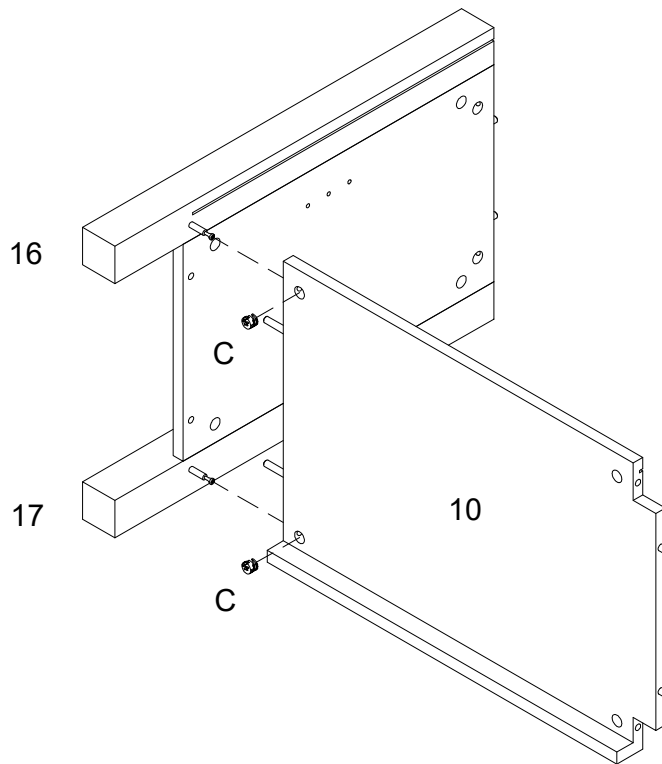
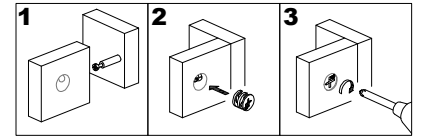
Attach parts (16) and (17) to part (4), and then attach cam locks (C) to fully assemble part (4).

Step 8



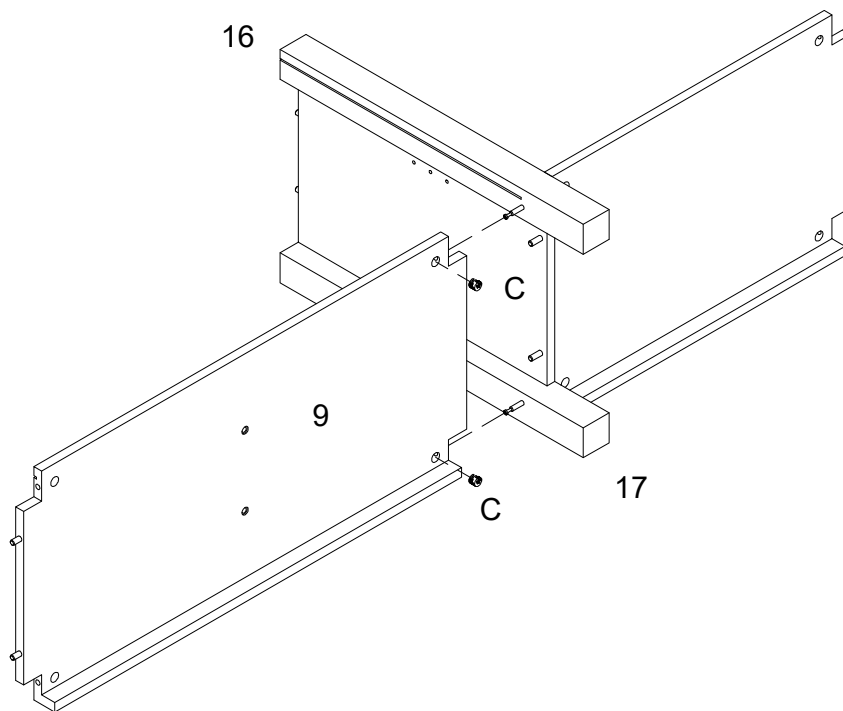
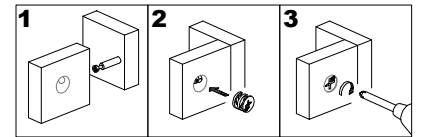
Attach parts (14,15) and (18,19) to part (3), and then attach cam locks (C) to fully assembled part (3), Please note in the diagram that the holes for the adjustable shelf on part (3) are on the same side as the groove for the back panel on parts (14,19).

Step 9



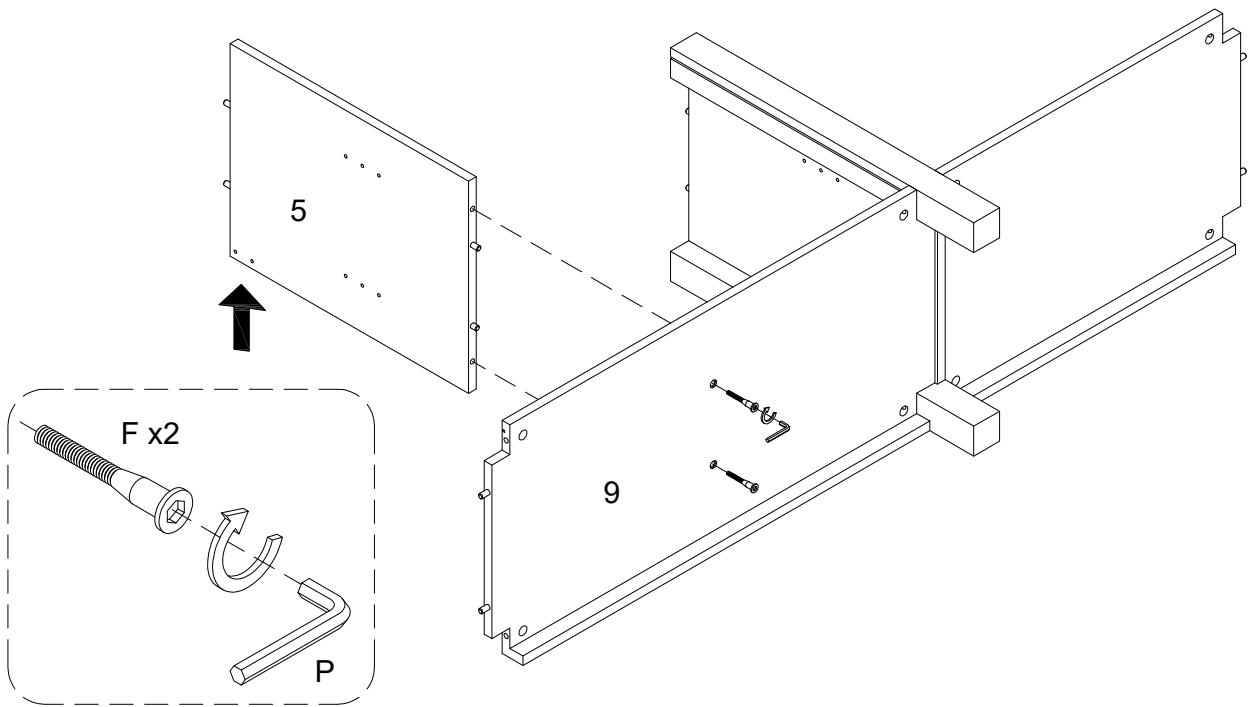
Use cam locks (C) to connect bottom panel (10) to Legs (16,17).

Step 10



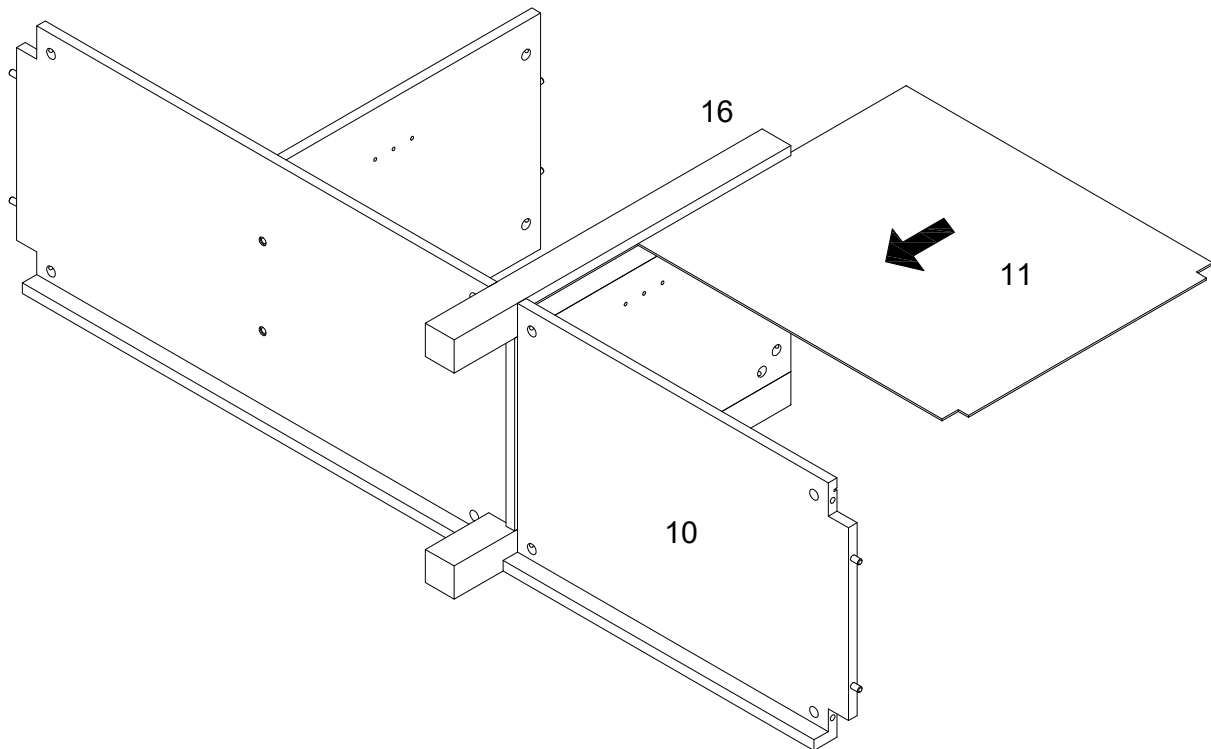
Use cam locks (C) to connect bottom panel (9) to Legs (16,17).

Step 11



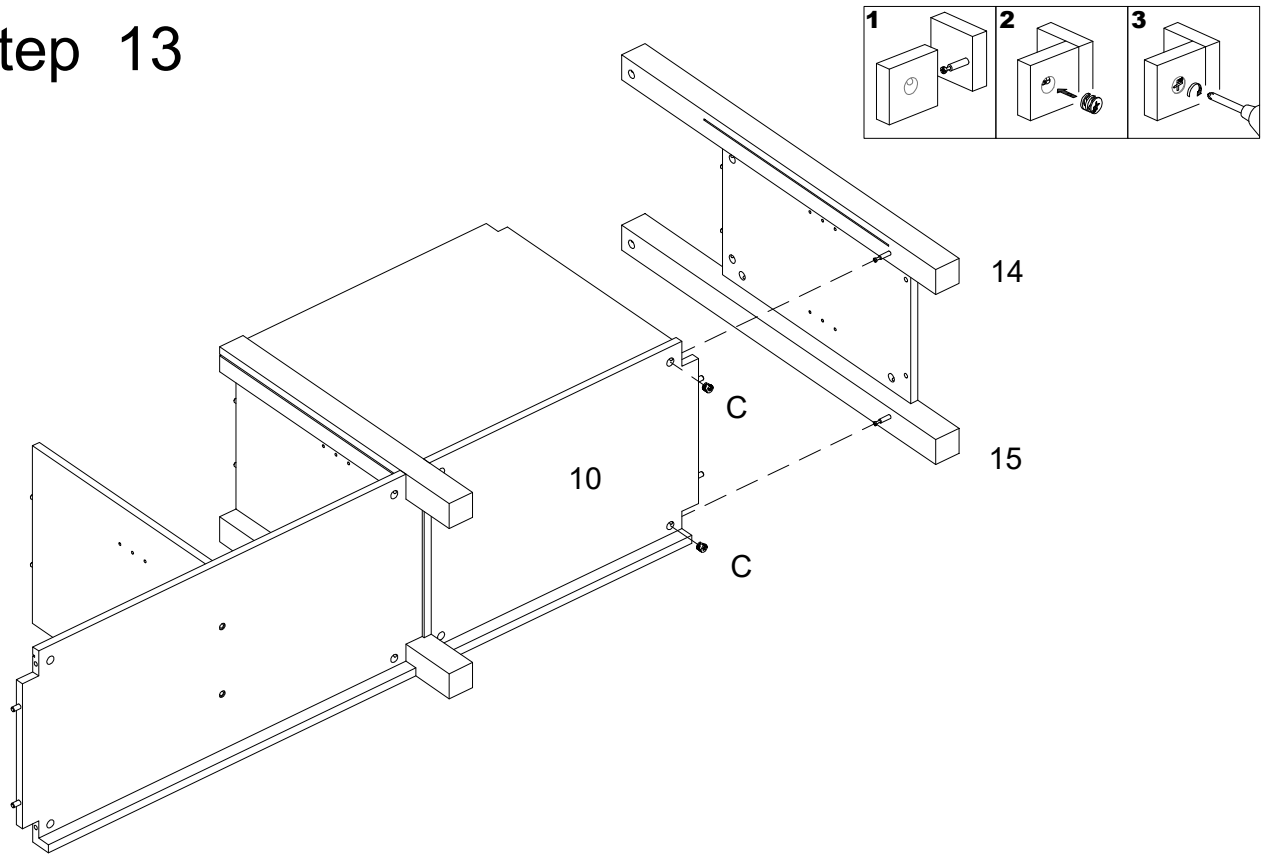
Use wrench (P) to secure part (5) to bottom panel (9). Note that the small holes for the doors should be toward the front of the console.

Step 12



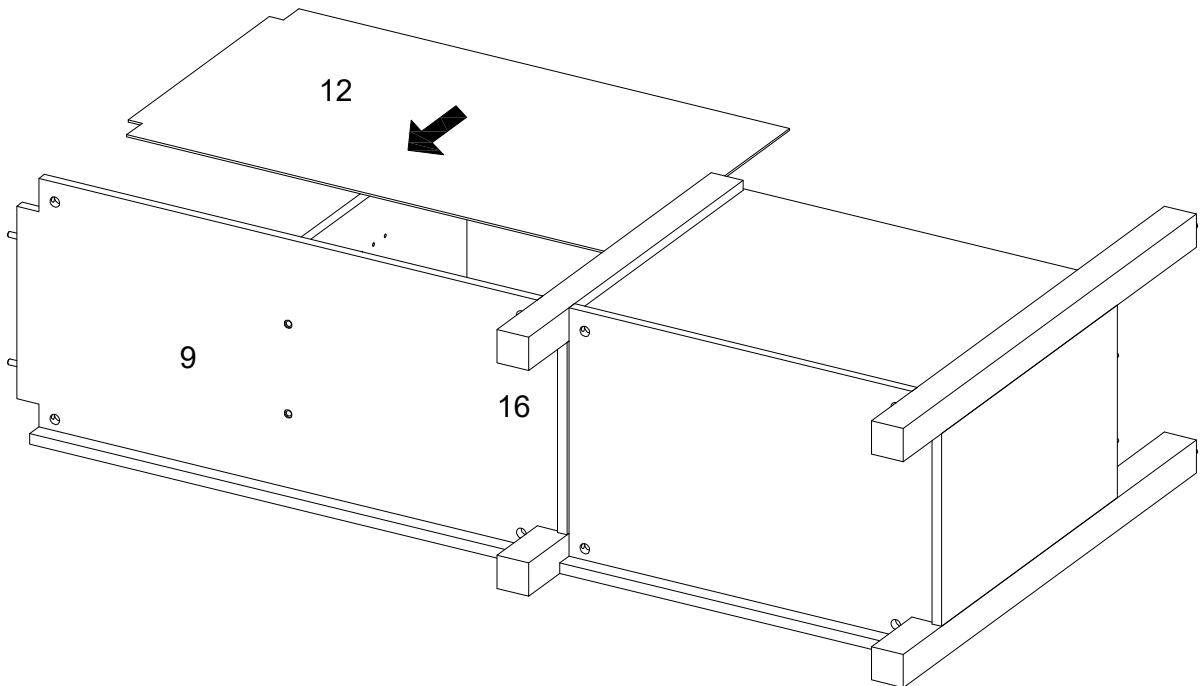
Slide back panel (11) into part (16) as shown in diagram.

Step 13



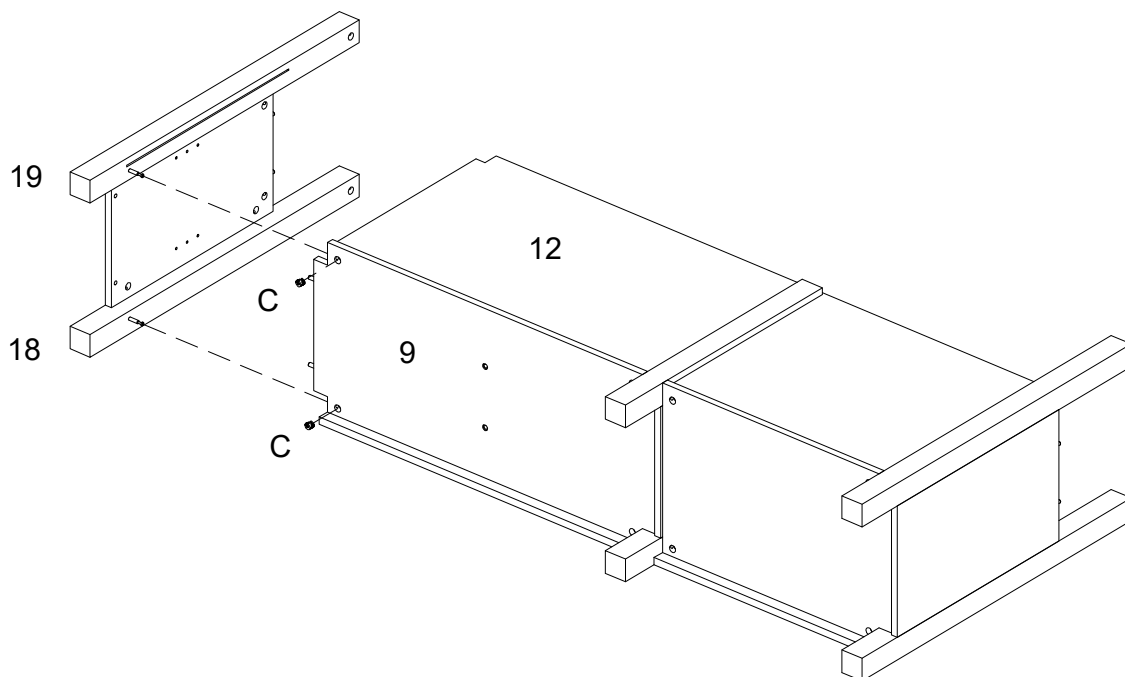
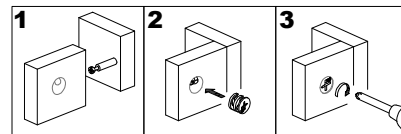
Use cam locks (C) to connect parts (14,15) to bottom panel (10).

Step 14



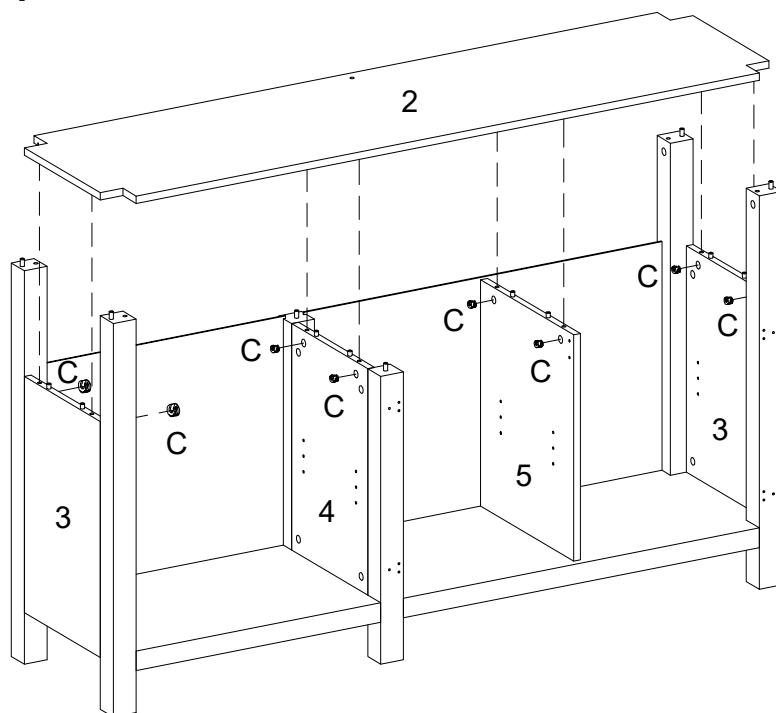
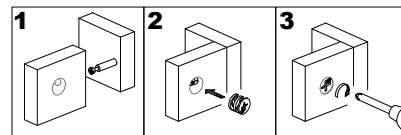
Slide Back panel (12) into part (16) as shown in diagram.

Step 15



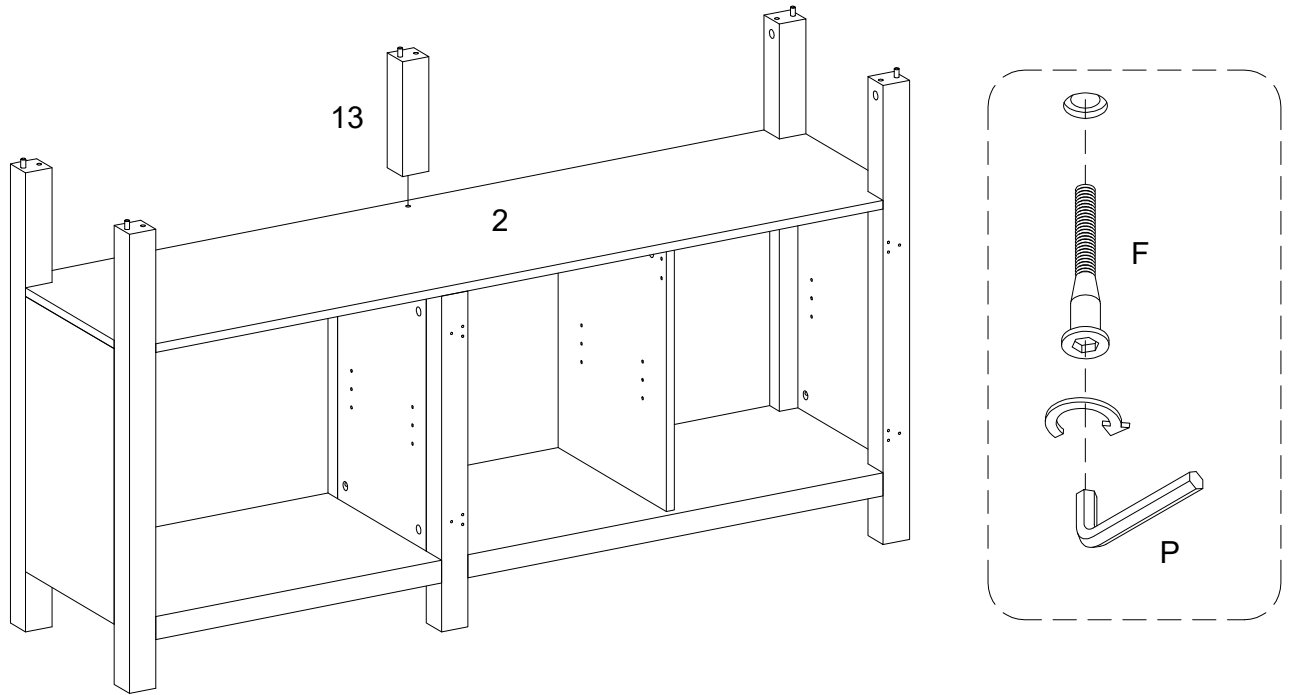
Use cam locks (C) to connect legs (18,19) to bottom panel (9).

Step 16



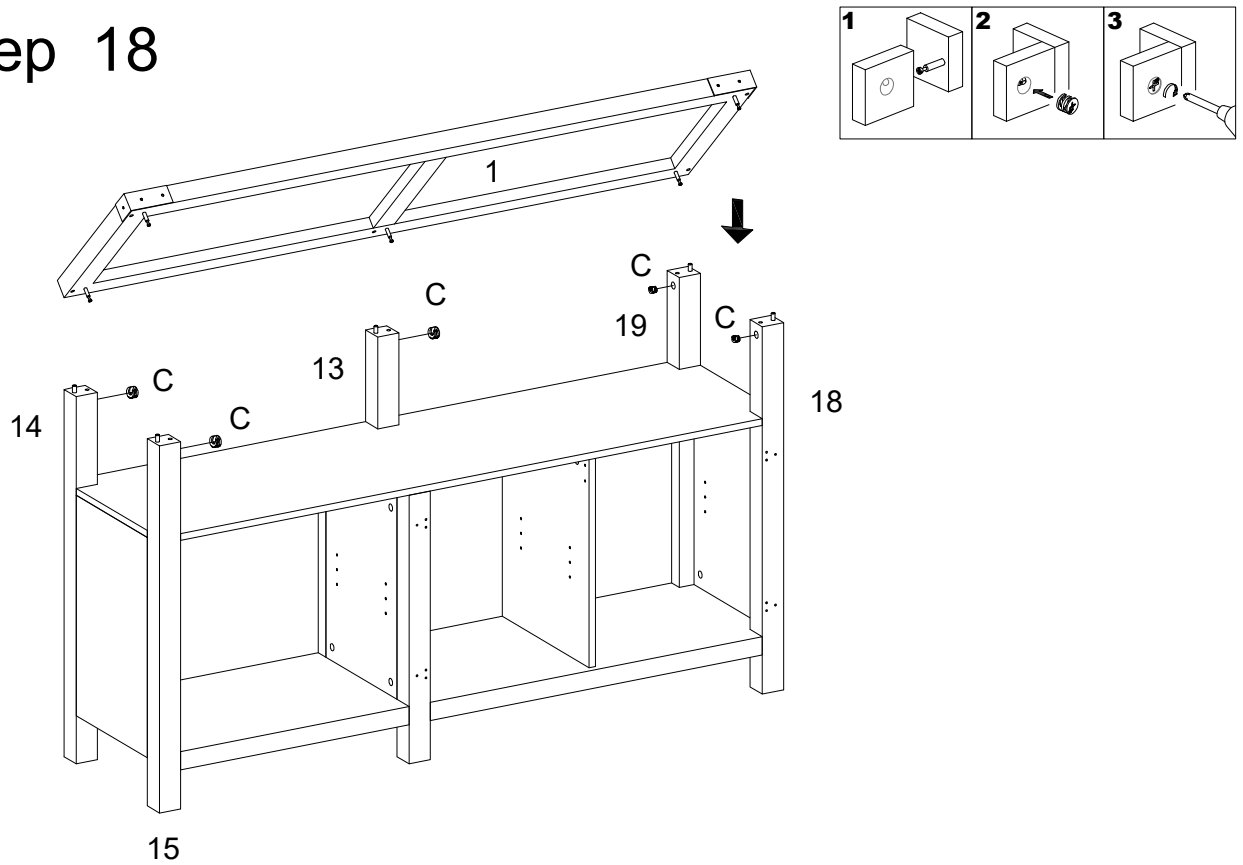
Use cam locks (C) to connect panel (2) to the frame assembly as shown in diagram.

Step 17



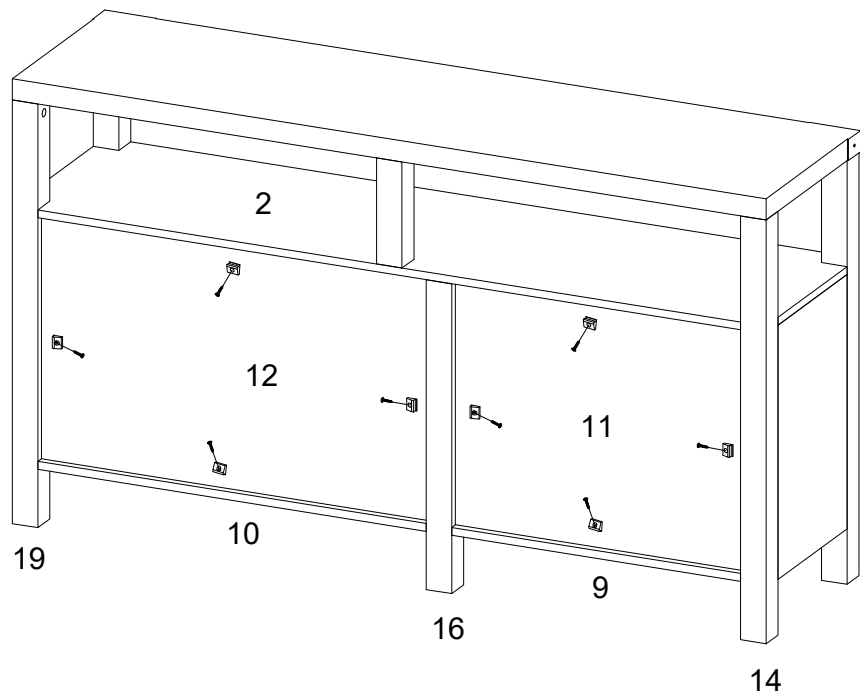
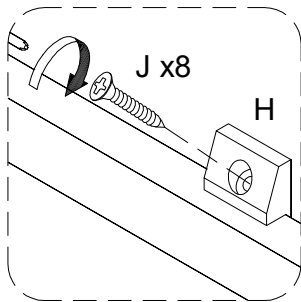
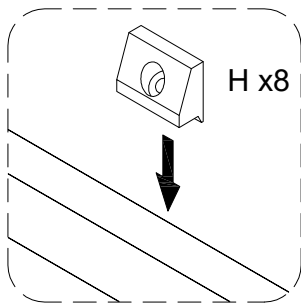
Use wrench (P) to secure part (13) to part (2).

Step 18



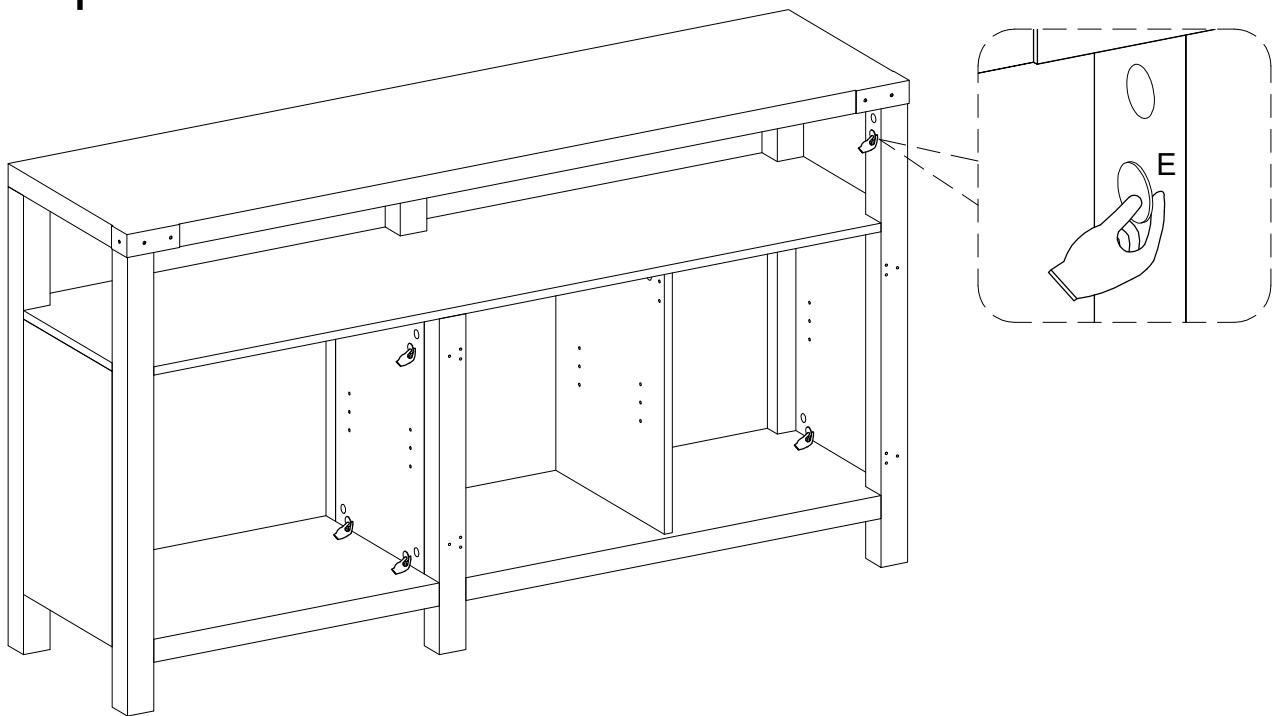
Use cam locks (C) to connect top panel (1) to leg parts (13,14,15,18,19) as shown in diagram.

Step 19



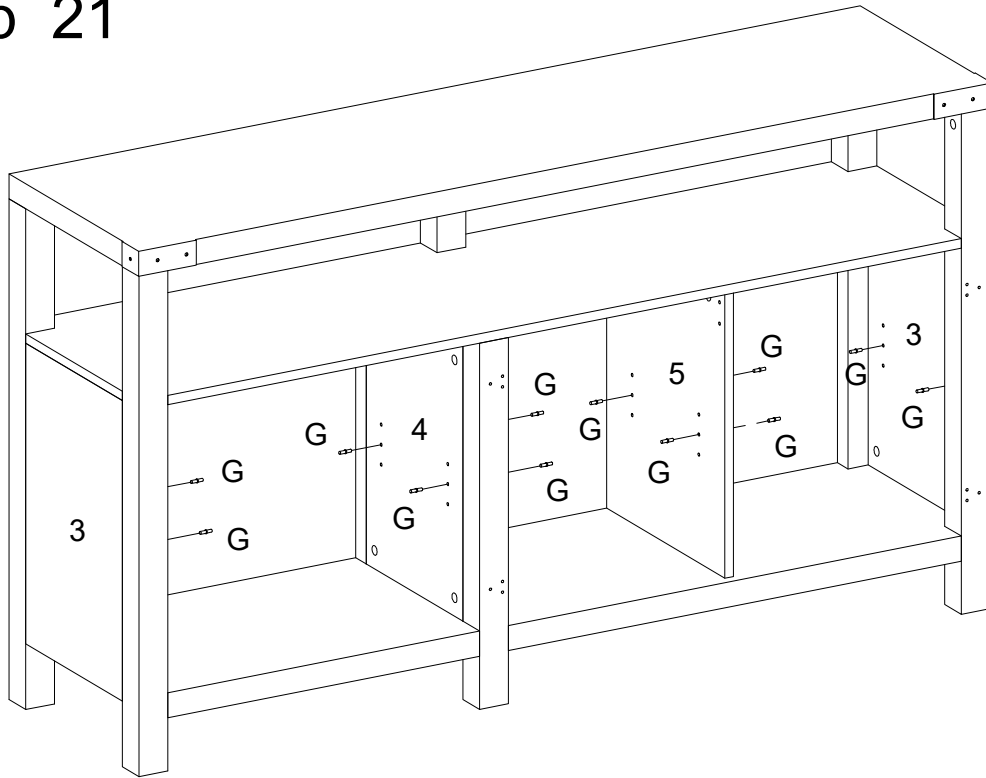
Attach plastic wedges (H) by using screws (J) as shown in the diagram.

Step 20



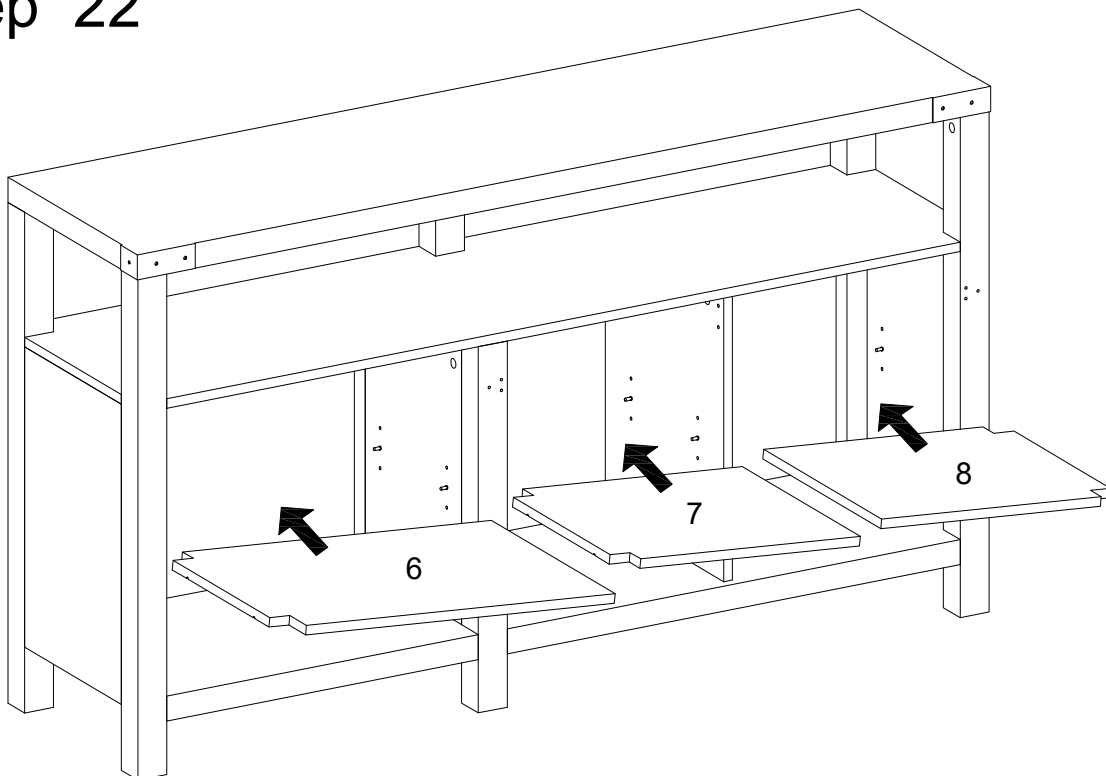
Place stickers (E) over cam locks as desired.

Step 21



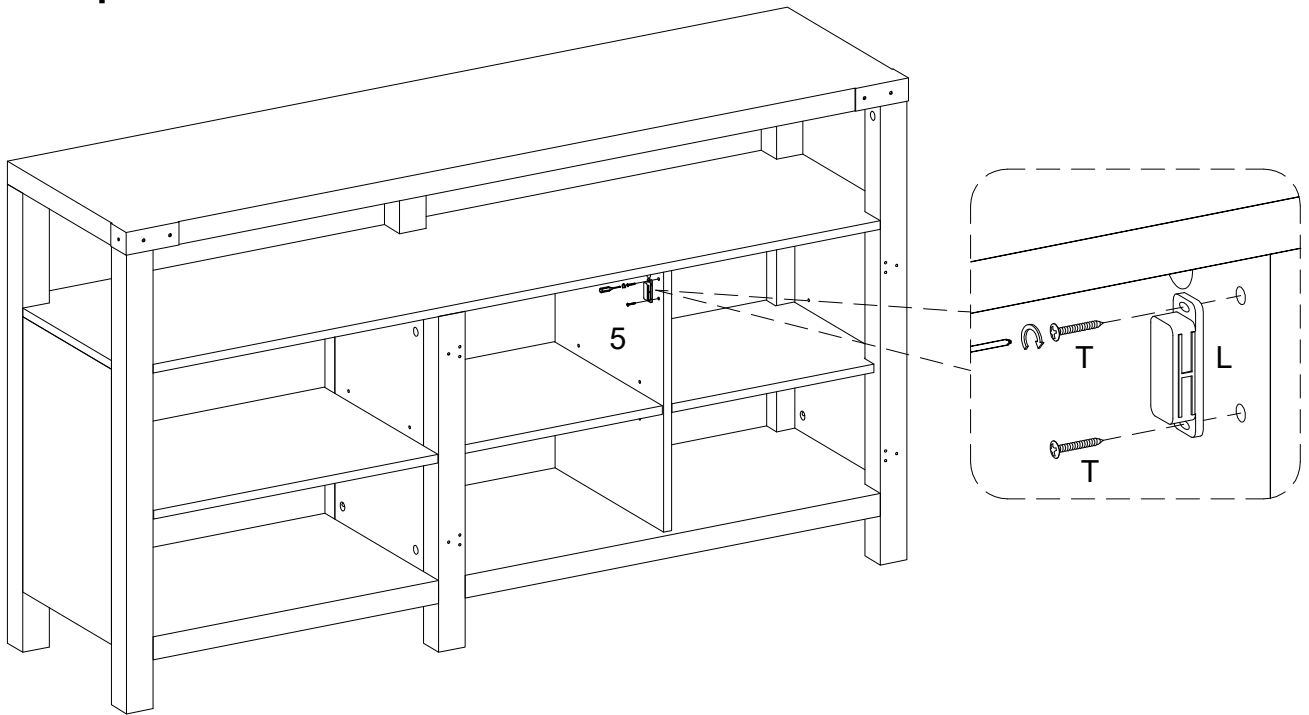
Insert shelf supports (G) into parts (3)(4)(5) as shown in the diagram.

Step 22



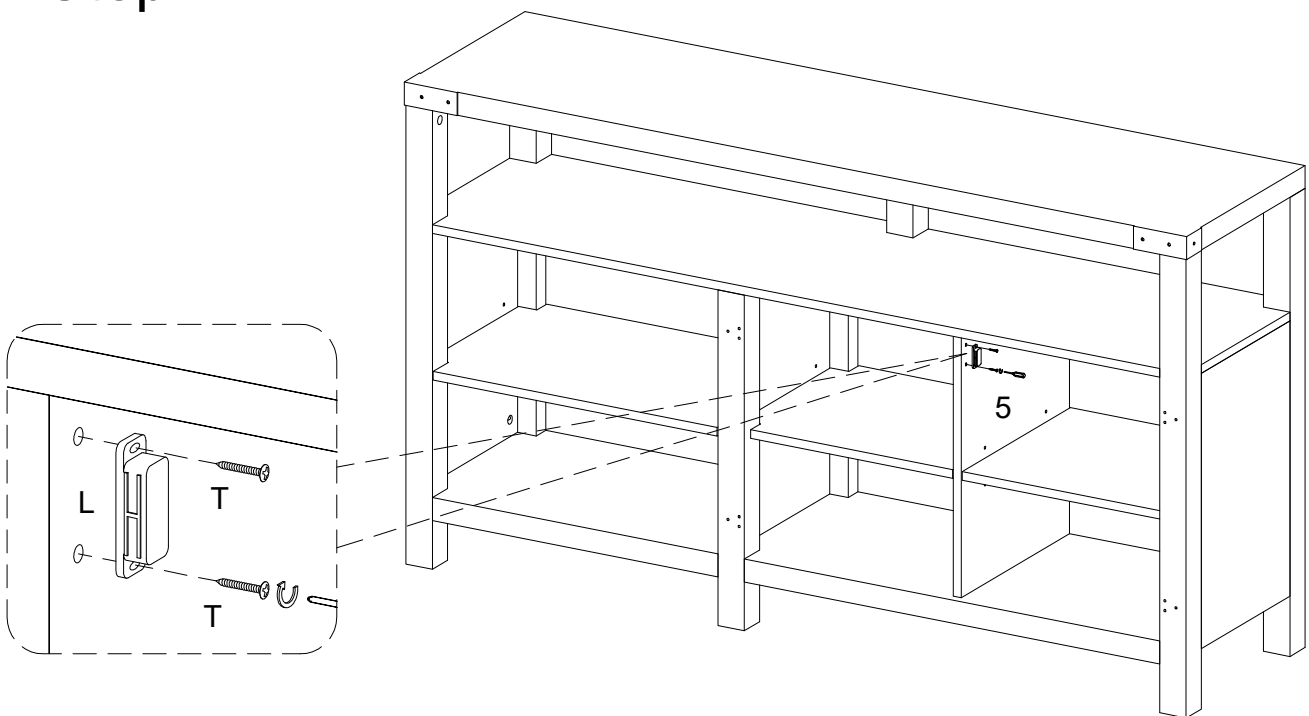
Place shelves (6)(7)(8) as shown in the diagram.

Step 23



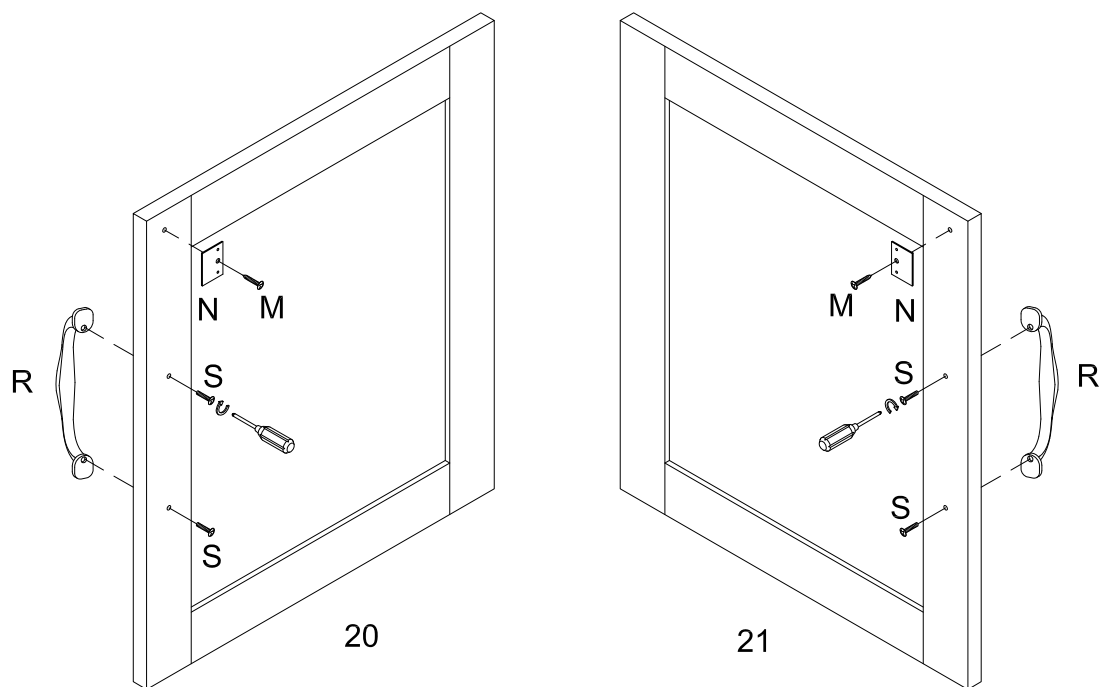
Use screw (T) to secure door stopper (L) to part (5) as per diagram.

Step 24



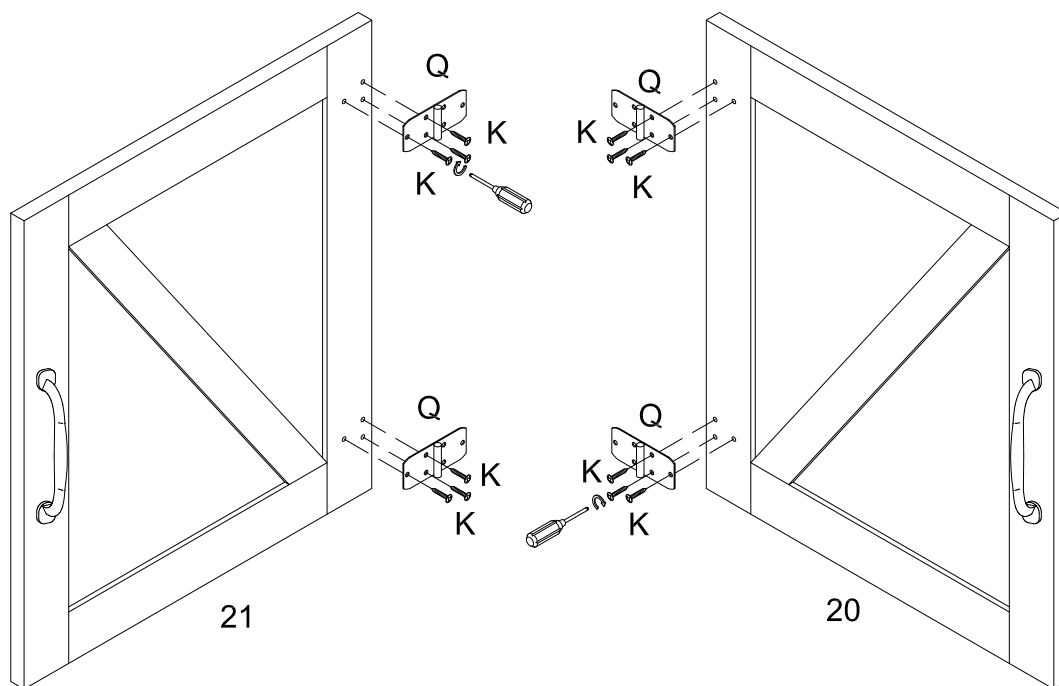
Use screw (T) to secure door stopper (L) to part (5) as per diagram.

Step 25



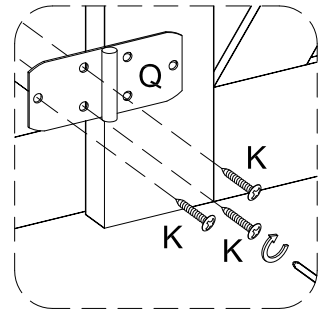
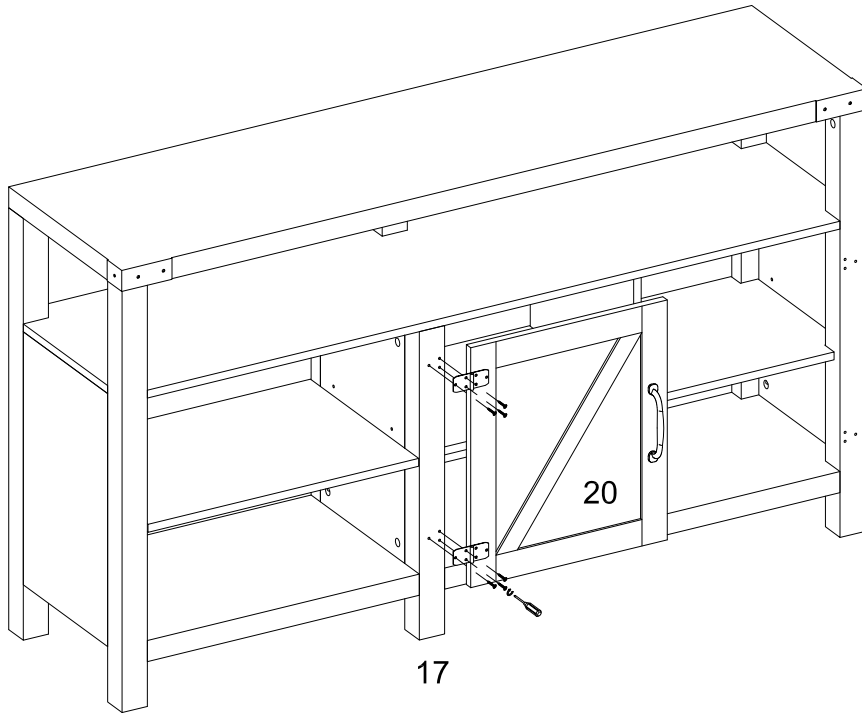
Use screw (S) to secure handle (R) to the doors (20)(21). Use screw (M) to secure metal stopper (M) to the doors (20)(21).

Step 26



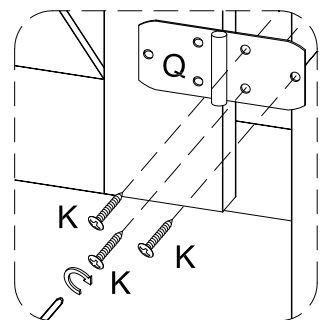
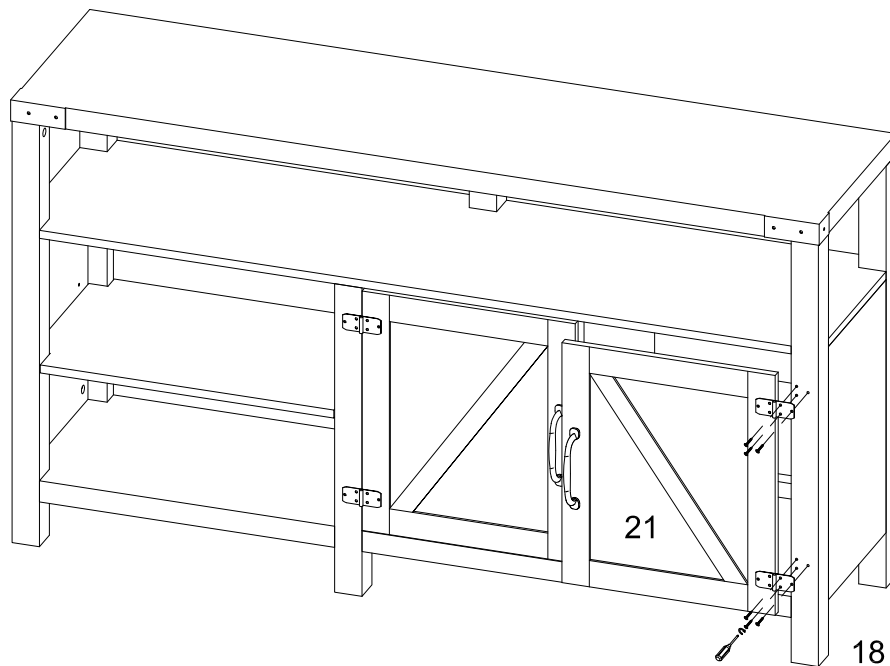
Use screw (K) to secure hinges (Q) to doors (20)(21).

Step 27



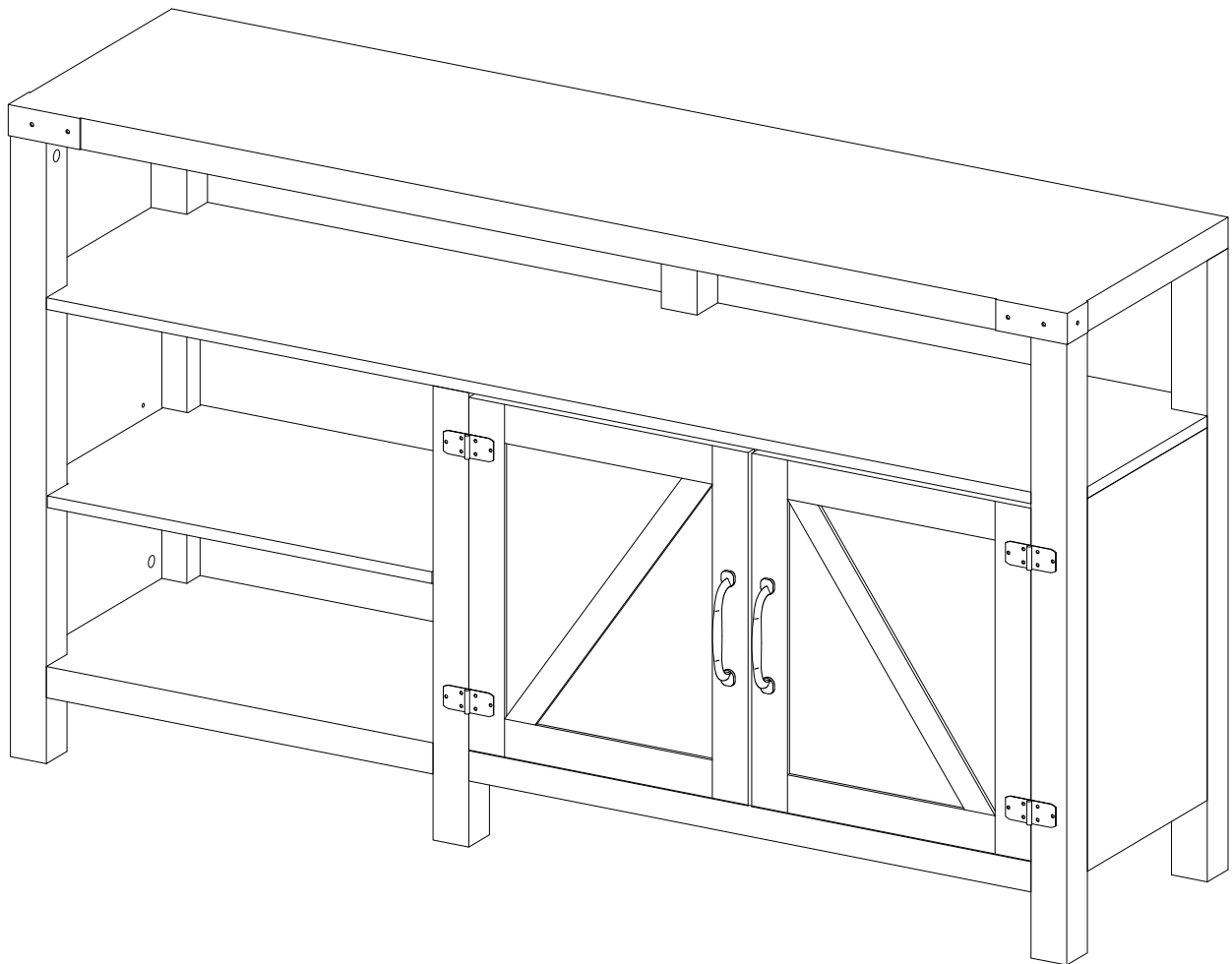
Use screw (K) to secure door (20) to part (17) as shown in the diagram.

Step 28



Use screw (K) to secure door (21) to part (18) as shown in the diagram.

Step 29



Final Assembly