



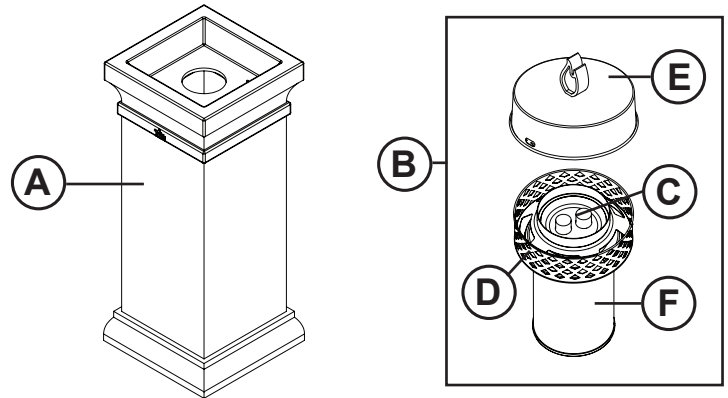
PATIO TORCH

Warnings & Instructions

Save these Warnings & Instructions for future reference.

Product Box Contents:

- A. 1 Base
- B. 1 Burner Assembly
- C. 2 Wicks, 1/2" Diameter
- D. 1 Burner
- E. 1 Snuffer Cap
- F. 1 Fuel Canister



⚠ DANGER

Torch Fuel is harmful or fatal if swallowed. Contains petroleum hydrocarbons. Combustible.
Read Warnings on Torch Fuel bottle carefully.

⚠ WARNING



- Read and understand these Instructions before use. Failure to follow Warnings & Instructions may result in serious injury or property damage.
- DO NOT use product while under the influence of drugs or alcohol.
- Keep out of reach of children and pets.
- DO NOT leave a burning Patio Torch unattended.
- For outdoor use only.
- DO NOT move while burning.
- To prevent fire and burn injuries, snuff and allow to cool for 30 minutes before handling, refilling or cleaning.
- DO NOT tip Patio Torch as Fuel can spill and cause fire and serious injury.
- DO NOT use gasoline or other flammable fuels. Use only TIKI® Brand Torch Fuel.
- Before refilling, carefully place the Snuffer Cap over the flame to extinguish.
- DO NOT use Fuel Canister outside of the Patio Torch.
- DO NOT touch the flame bowl or fuel canister assembly. May cause serious burns.
- Store Torch Fuel and Fuel Canister Assembly upright away from heat or open flame.

⚠ CAUTION

- Keep clothing, hair and face away from flame.
- DO NOT place Patio Torch under covered shelter or umbrella, near pedestrian traffic or combustibles such as furniture, wood structures, fuel, clothing or dry vegetation.
- Use only in well-ventilated area.



Questions or Missing Parts?

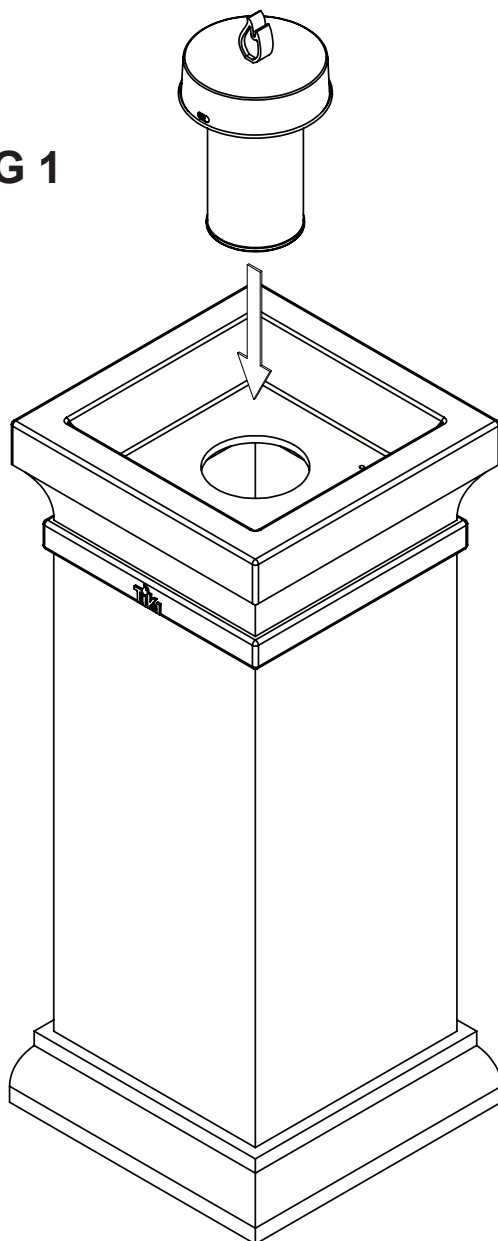
DO NOT go back to the store!

Call our TOLL FREE Customer Service number 1-888-473-1088

Assembly and Installation:

1. Remove the Patio Torch from the retail box and remove all packaging materials.
2. Add the Burner System and Snuffer Cap to complete assembly (FIG 1).

FIG 1



⚠ DANGER

Torch Fuel is harmful or fatal if swallowed.
Contains petroleum hydrocarbons. Combustible.
Read Warnings on Torch Fuel bottle carefully.

Filling and Lighting:

1. Remove the Snuffer Cap (E).
2. Remove the Fuel Canister Assembly from the Patio Torch.
3. Unscrew the Flame Guard (D) from the Fuel Canister (F) (see FIG 2).
4. Slowly fill the Fuel Canister to 1/2 inch below seam with TIKI® Brand Torch Fuels (see FIG 3). **DO NOT OVERFILL.**
5. Wipe away any spilled Fuel before lighting.
6. Reattach the Flame Guard to the Fuel Canister (see FIG 4). **DO NOT OVERTIGHTEN.**
7. Place the Fuel Canister Assembly into the Patio Torch (see FIG 1).
8. Allow the Wick to become saturated with fuel before lighting.
9. Use a long lighter or long fireplace match to light the Patio Torch (see FIG 5).

Extinguishing and Refilling:

1. Carefully place Snuffer Cap on the Patio Torch (see FIG. 6) – **DO NOT BLOW OUT.**
2. Allow to cool for 30 minutes before handling, refilling or cleaning.
3. Remove the Fuel Canister Assembly from the Patio Torch .
4. Unscrew the Flame Guard from the Fuel Canister (see FIG 2).
5. Slowly fill the Fuel Canister to 1/2 inch below seam with TIKI® Brand Torch Fuels (see FIG 3) – **DO NOT OVERFILL.**
6. Wipe away any spilled Fuel *before* lighting.
7. Reattach the Flame Guard to the Fuel Canister (see FIG 4) – **DO NOT OVERTIGHTEN.**
8. Place the Fuel Canister Assembly into the Patio Torch (see FIG 1).

Notice: Leave the Snuffer Cap on the Patio Torch to prevent water contamination.

Notice: If the Fuel becomes contaminated with water, the Wick and Fuel must be replaced and properly disposed of in accordance with local laws and regulations.

FIG 2

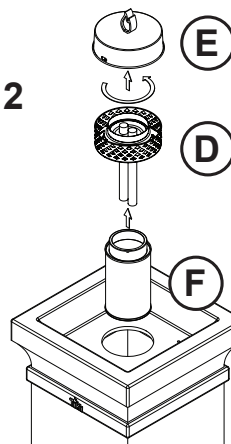


FIG 3

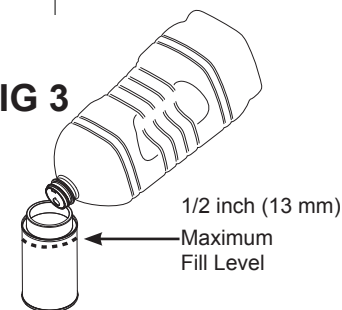


FIG 4

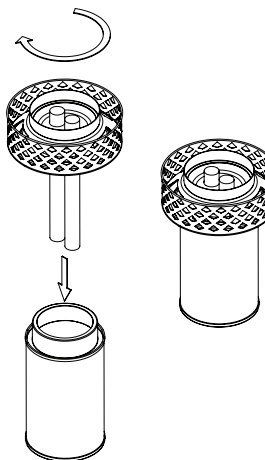


FIG 5

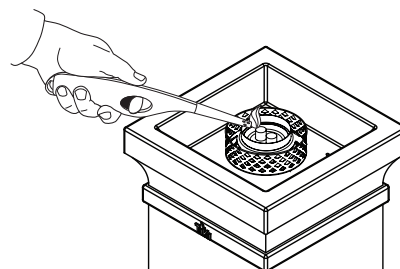
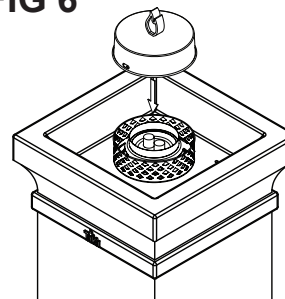


FIG 6



Wick Replacement:

1. After use, extinguish flame using Snuffer Cap and allow Flame Guard to cool for 30 minutes before handling.
2. Carefully remove the Wick from the Flame Guard (see FIG 7). Properly dispose of the wick in accordance with local laws and regulations.
3. Replace the Wick with a new TIKI® Brand Wick and position the Wick with 3/4 inch (19 mm) exposed (see FIG 8).
4. Trim if required.

FIG 7

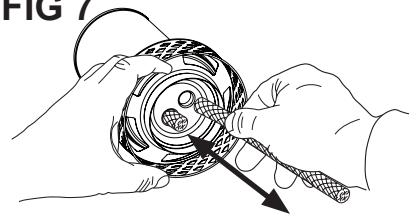
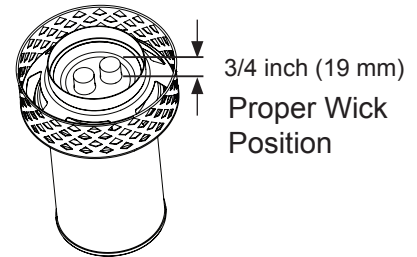


FIG 8



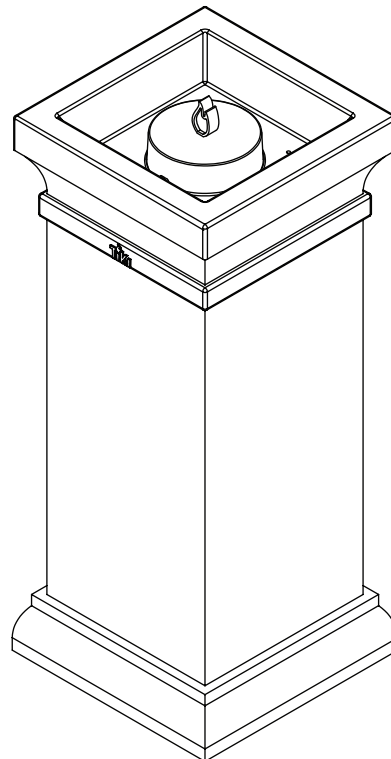
⚠WARNING

Store Torch Fuel and Fuel Canister Assembly upright away from heat or open flame.

Storage:

1. Store Fuel in original Fuel Bottle with Cap secured.
2. Dispose of any unwanted Fuel in accordance to local laws and regulations.
3. Store in an upright position (see FIG 9).
4. For best results, store this product away from the weather conditions when not in use.

FIG 9



Cleaning:

1. When not in use, use damp cloth to remove debris from the Patio Torch as needed.