

Overview.

Thank you for purchasing Elura speaker products. Elura is a high performance, custom installed product engineered for movie and music enthusiasts. Each Elura product is manufactured to the highest quality standard using state-of-the-art components and built for years of enjoyment.

Considerations.

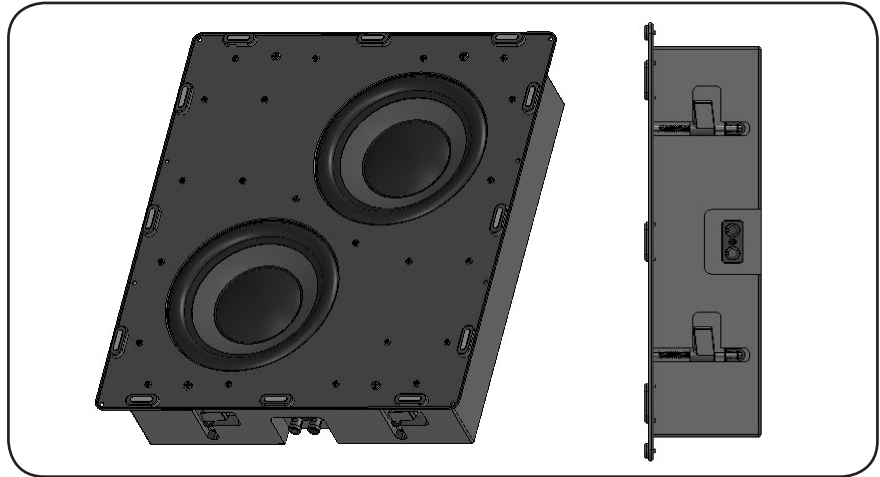
Before connecting, mounting or installing any Elura products, please read all instructions. Careful considerations should be given to avoid obstacles such as electrical wires, plumbing or HVAC products. If you are unsure or inexperienced with construction methods, please consult a professional.

Use the proper tools and pay close attention to detail while connecting the speaker wires. Make sure all equipment is powered off while connecting and disconnecting any equipment.

Improper use, not following precautions or instructions may cause damage to property, equipment, and possible injury or electrocution.

Contents.

- Elura SUBR88IW
- Magnetic grille with optional rubber U-channel edge cover
- 8 coarse mounting screws needed to install speaker
- Sound deadening adhesive strips

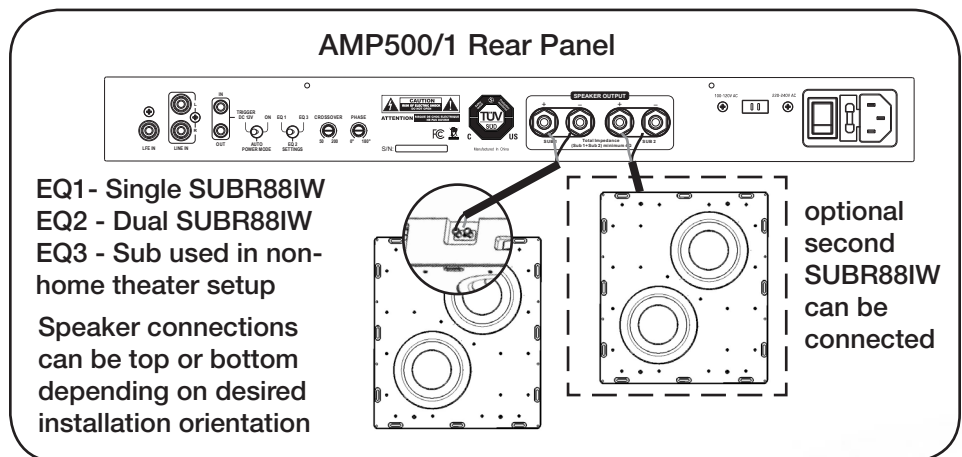


Features.

- Conveniently hide the subwoofer box into a wall without degrading performance.
- Can be installed behind furniture.
- Low profile matches in-wall speakers.
- Built with high-quality, perfectly matched speaker components
- Engineered to work with Elura subwoofer amp, model AMP500/1

Connections.

Connect the subwoofer speaker connections to high-quality 14 to 16 gauge stranded CL3 speaker wire and connect to the AMP500/1 speaker output connections. The stripped bare ends of the speaker wire may be connected directly to the speaker's spring loaded connectors. Twist the speaker wire to avoid strands from shorting from one connection to the other and pay careful attention to polarity (+ / -).



Speaker Placement.

The versatility of the Elura In-wall Sub offers hidden performance and opens up floor space. The subwoofer installs in a minimum 4" deep wall with 16" on center construction. Speaker connections may be on top or bottom pending mounting and wiring. Take precautions to properly mount the speaker and avoid obstacles commonly found inside walls. The AMP500/1 offers 3 EQ settings used to adjust the bass boost pending placement.

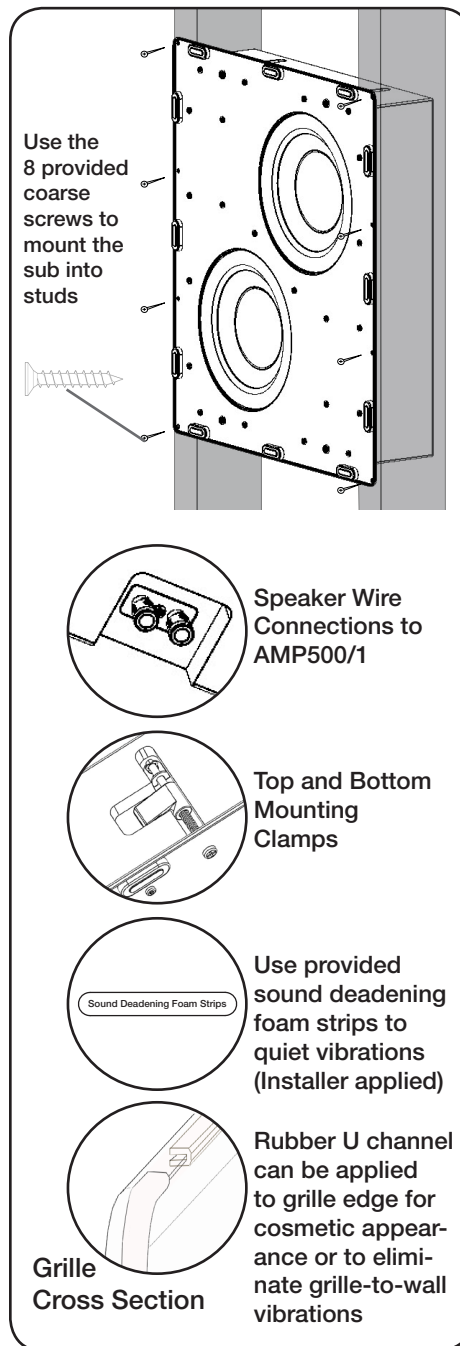
EQ1- Single SUBR88IW setup

EQ2- Dual SUBR88IW setup

EQ3- SUBR88IW used in a non-home theater system / stereo setup

Installation.

Install into minimum standard 5/8" thick drywall. Before installation of the subwoofer into the wall cavity, use the sound deadening strips supplied to areas on the sides of the sub, if needed, to reduce vibrations or unwanted noise. After cutting the hole for the subwoofer, use the 8 provided coarse screws to mount the subwoofer into the studs. There are 4 screw holes on each side of the speaker flanges as shown. Use the top and bottom mounting clamps to minimize unwanted vibrations. Secure the mounting clamps to reduce noise and for better performance. Do not over-tighten the mounting clamps. Hand tighten the mounting clamps or use the clutch on the screw gun to mount the subwoofer. Over-tightening can destroy the integrity of the drywall.



Specifications.

- Construction: Dual 8" Subs
- Impedance: 6Ω
- Sensitivity: 80 +/- 3 dB
- Freq. Response: 33 to 200 Hz
- FO: ~200Hz
- Power Handling: 500 Watts
- Weight: 24lbs
- Cut Out Dimensions: 16.625"H x 14.375" W

General Maintenance.

Clean the subwoofer with a damp cloth. The grille can be removed if needed by pulling in an outward direction. Use caution to avoid damaging the grille or speaker components under the grille.

Warranty.

All Elura products come with a one (1) year limited liability warranty. This warranty includes parts and labor repairs on all components found to be defective in material or workmanship under normal conditions of use. This warranty shall not apply to products which have been abused, modified or disassembled.

A speaker that fails under conditions other than those covered will be repaired at the current price of parts and labor in effect at the time of repair. Such repairs are warranted for 90 days from the day of reshipment to the BUYER. If the unit is delivered by mail, customers agree to insure the unit or assume the risk of loss or damage in transit.

Under no circumstances will a unit be accepted without a return authorization number. The warranty is in lieu of all other warranties expressed or implied, including without limitations, any other implied warranty or fitness or merchantability for any particular purpose, all of which are expressly disclaimed. Proof of sale may be required in order to claim warranty.

www.elura.audio

MSTR
BRAND
PRODUCTS