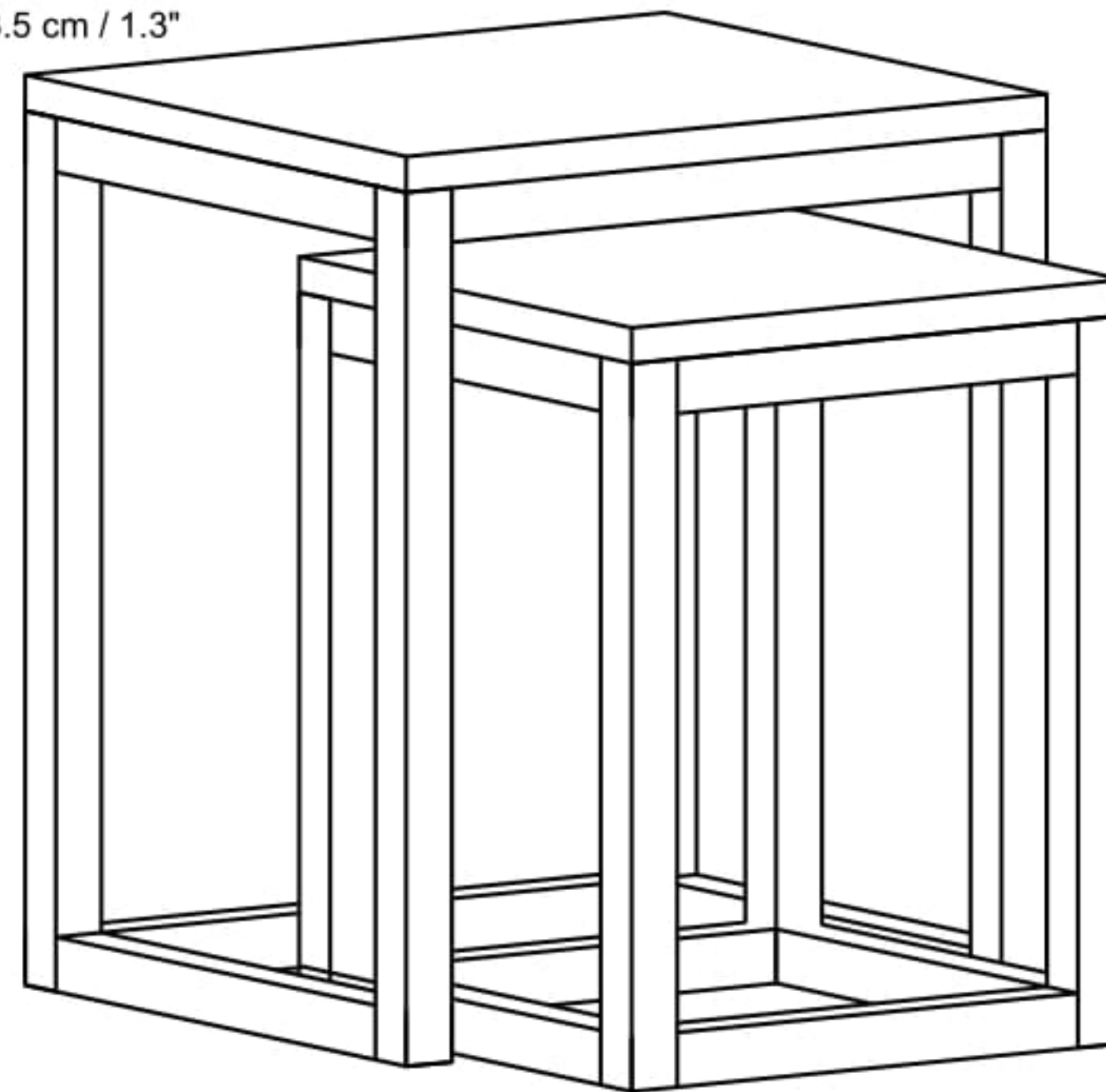
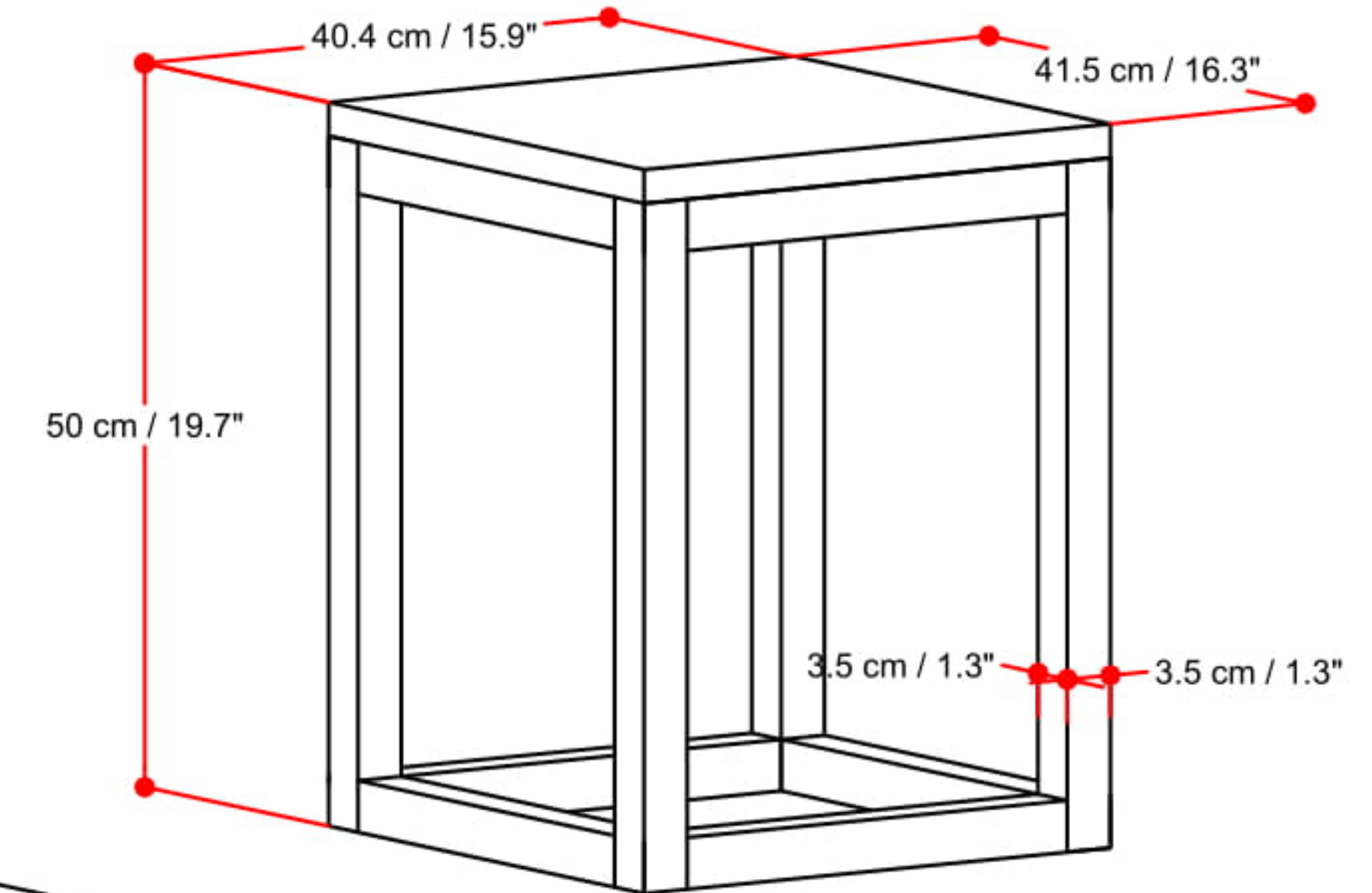
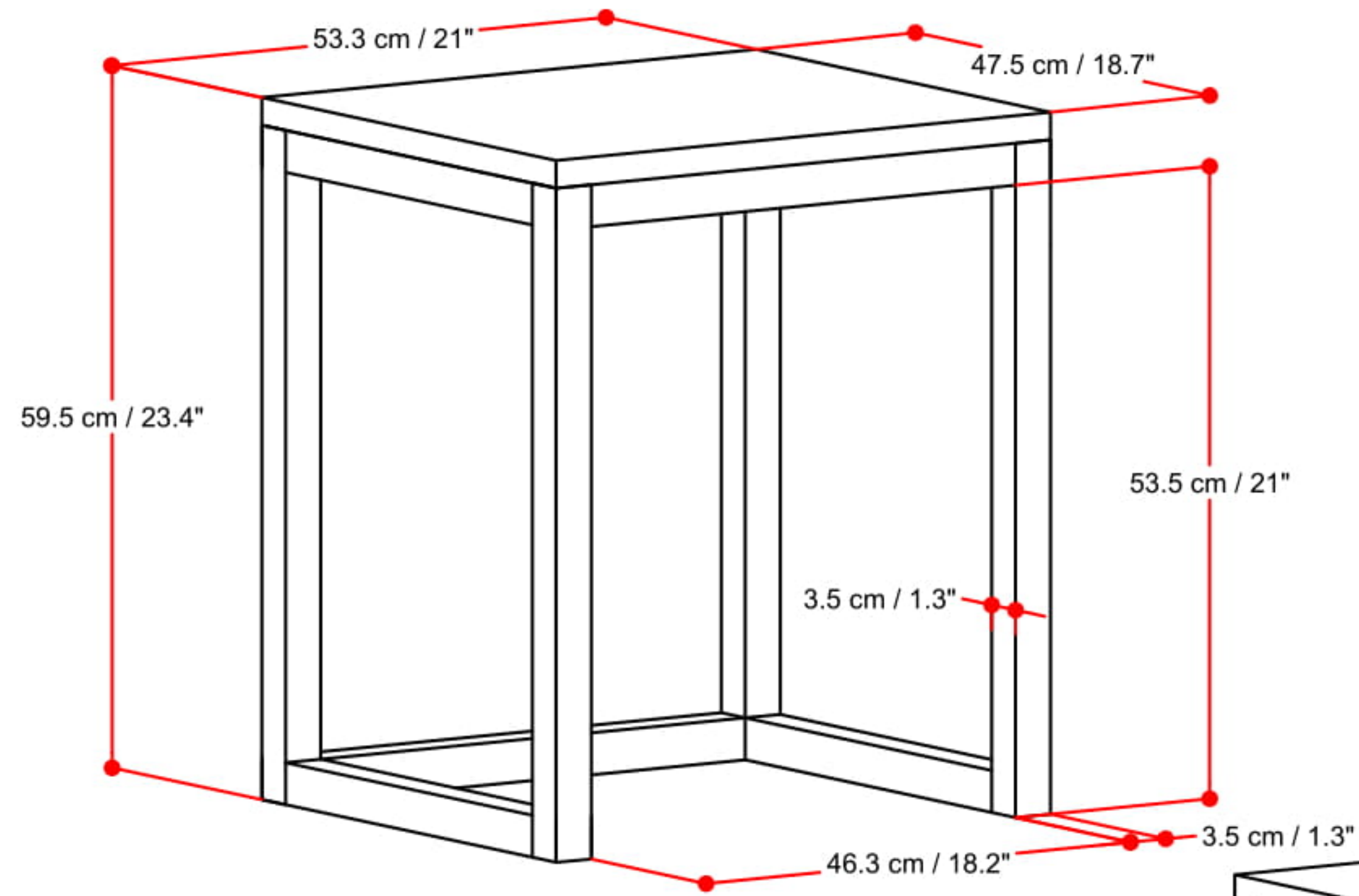


# LANDON NESTING 2 TABLES



Net Weight- 17.6 ( lb )