



# Veil™ | K-20701

16" round pedestal bathroom sink

## Features

- Round basin and base
- Freestanding pedestal creates a unique installation
- No faucet holes; requires wall- or counter-mount faucet
- Without overflow
- Includes color-matched brass drain cover
- Drain extension included for ease of installation
- Combination consists of basin and shroud
- Coordinates with other products in the Veil collection



## Available Colors/Finishes

*Color tiles intended for reference only.*

- 0 White
- 96 Biscuit
- 7 Black Black



1-800-4KOHLER (1-800-456-4537)  
Kohler Co. reserves the right to make revisions without notice to product specifications.  
For the most current specification sheet, go to [www.kohler.com](http://www.kohler.com) USA or [www.kohler.ca](http://www.kohler.ca) Canada.  
4-13-2026 13:3 - US-CA

THE BOLD LOOK  
OF **KOHLER**

---

## Codes/Standards

ASME A112.19.2/CSA B45.1

---

## Technical Information

With Overflow:	Yes
Drain Hole Diameter:	2-1/2" (64 mm)
Basin Configuration:	Single Bowl
Basin Length:	15-13/16" (402 mm)
Basin Width:	15-13/16" (402 mm)
Basin Depth:	3-15/16" (100 mm)

---

## Material

- Fireclay
- 

## Included Combo Skus

- K-20702 12-1/4" pedestal bathroom sink
  - K-20703 16" round vessel bathroom sink or pedestal sink basin
- 

## Recommended Products/Accessories

K-23726 Drain treatment

K-23725 Cast iron cleaner

K-9018 Adjustable P-trap with long tubing outlet, 1-1/4" x 1-1/4"

K-33151 Clicker drain without overflow

---

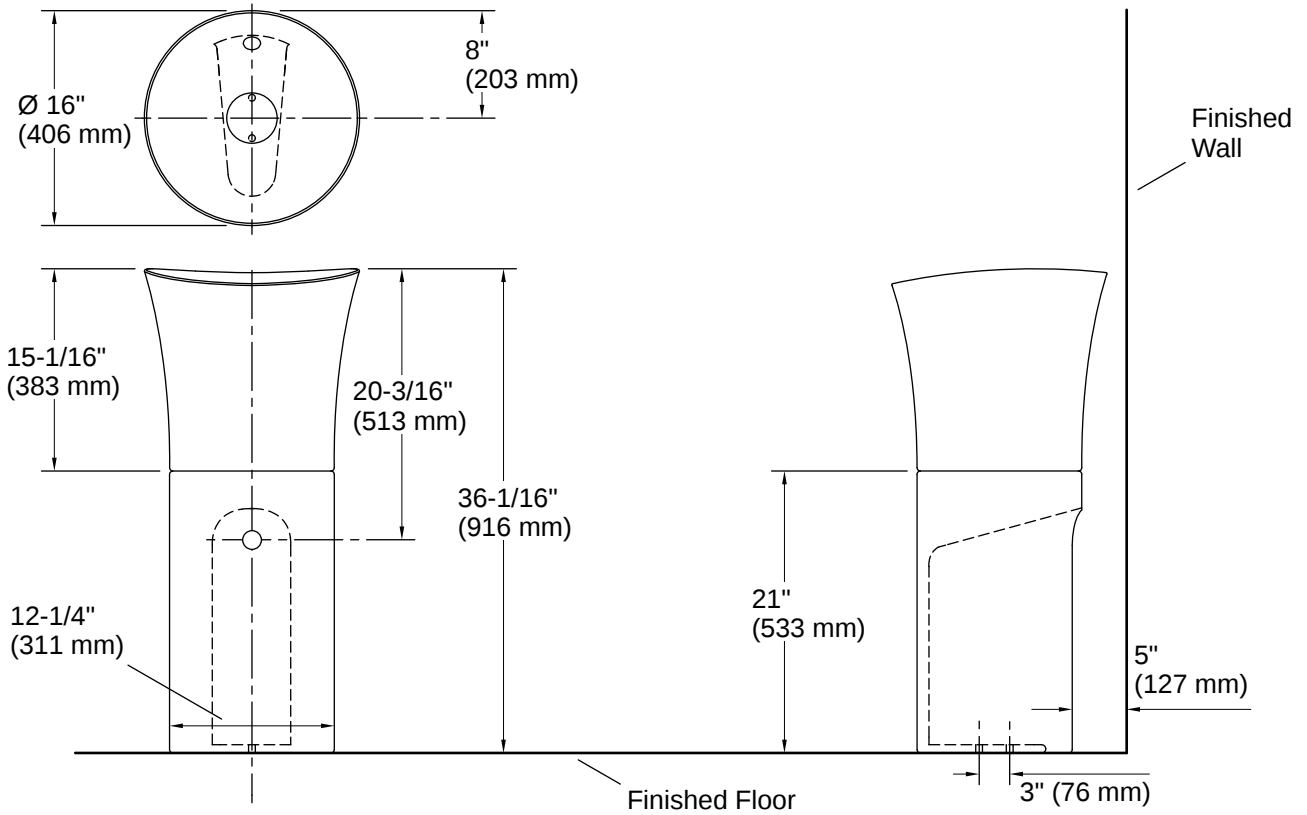
## Warranty

*See website for detailed warranty information.*

KOHLER® One-Year Limited Warranty



1-800-4KOHLER (1-800-456-4537)  
Kohler Co. reserves the right to make revisions without notice to product specifications.  
For the most current specification sheet, go to [www.kohler.com](http://www.kohler.com) USA or [www.kohler.ca](http://www.kohler.ca) Canada.  
4-13-2026 13:3 - US-CA



## Installation

- Pedestal

## Installation Notes

*Install this product according to the installation instructions.*

**IMPORTANT!** This installation requires a wall-mounted faucet. In areas with subfreezing winter temperatures, plan to install this product to an interior wall to protect the water supply and drain lines from freezing.

