

OVERVIEW

The nDTC is a low voltage powered capacitive touch screen digital time clock that delivers smart and simple scheduling, dimming, switching, occupancy and photosensing for small-to-medium projects that require minimal footprint and flexibility of configuring. Available as a single gang wall-mount, or pre-assembled to an ARP panel, the device communicates with an nLight Wired network and supports up to 127 digital devices in an nLight control zone.

FEATURES

- Create and control up to 32 schedules (Normal & Holiday)
- Astronomical Timeclock feature enables +/- Sunset or Sunrise settings and programmable Latitude/ Longitude
- Controls up to 127 nLight devices
- Password protected configuration
- Optional password protected lock out
- Proximity screen sensor for auto “wake-up”
- Slim and compact form factor
- 3.5” full-color responsive capacitive touch screen
- Mounts to a single gang switch box (Standalone version)

Warranty

Five-year limited warranty. This is the only warranty provided and no other statements in this specification sheet create any warranty of any kind. All other express and implied warranties are disclaimed. Complete warranty terms located at: www.acuitybrands.com/support/warranty/terms-and-conditions

Note: Actual performance may differ as a result of end-user environment and application. Specifications subject to change without notice.



*nLight nDTC
Touch Screen
Digital Time Clock*



ORDERING INFORMATION

Example: nDTC NPWS WH

| Switch | Power Supply Type | Color |
|--------|--|----------------------|
| nDTC | [blank] Includes PS150 PS347 Includes PS150-347 NPWS No Power Supply | WH White BK Black |

Additional Accessories: Order as separate catalog number.

| Series | Description |
|--------------|--|
| ARP DTC BRKT | Hardware to field install nDTC into nLight relay panel (ARP) |

The nLight nDTC is equipped with two RJ-45 ports to facilitate CAT5e daisy-chain connection with other nLight-enabled devices, and a set of power terminals where low voltage power is connected (from the provided PS 150 power supply module).

WIRING – Wall-Mount version

A 15-24 VDC or VAC power supply can deliver power to the nLight® nDTC via the polarity insensitive terminal connections on the back of the unit. The PS 150 version power supply is recommended, as it conveniently mounts through a knock-out on the back of the junction box where the unit is mounted.

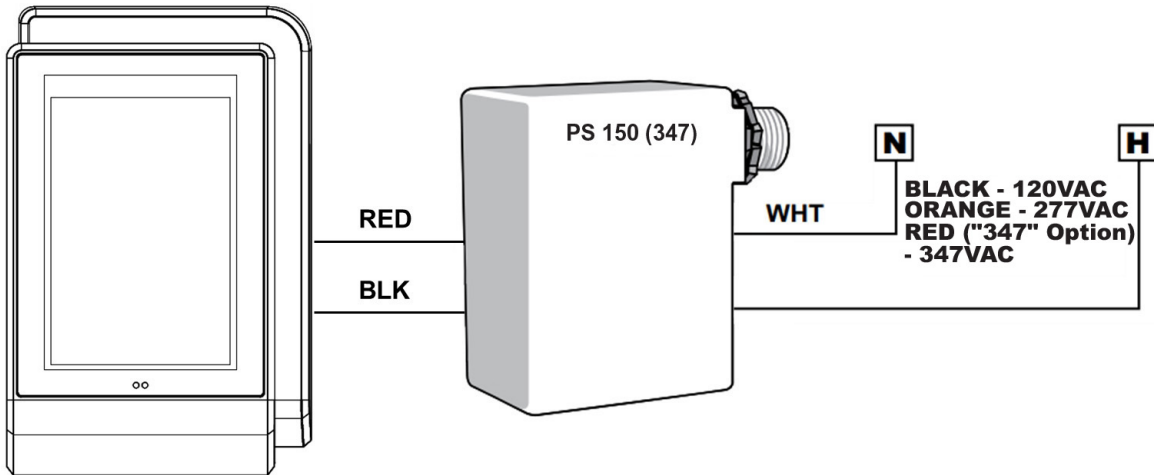


Figure 1 - Wiring Diagram

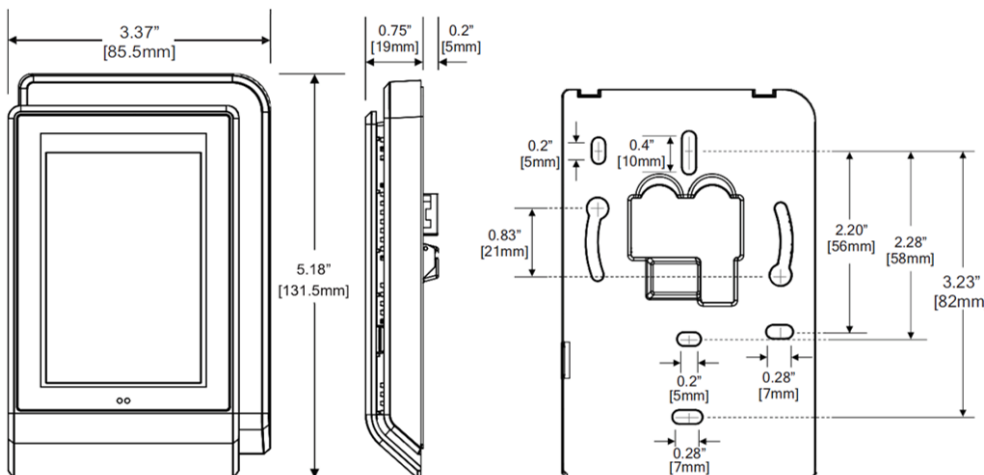
Mounting Instructions – Wall-Mount Version

The nLight® nDTC has been designed for ease of installation. However, certain conditions apply when choosing a suitable location for the device:

- The device should be installed approximately 6" (15cm) from a corner, to provide sufficient access to the faceplate release tabs.
 - Allow for proper clearance around the device's enclosure and wiring terminals to provide easy access for hardware configuration and maintenance.
 - Orient the device with the ventilation slots towards the top to permit proper heat dissipation.



The nLight® nDTC is not designed for outdoor use.



Installation – Wall-Mount Version

Upon unpacking, inspect the contents of the carton for shipping damages. Do not install a damaged device.



Take reasonable precautions to prevent electrostatic discharge to the device when installing, servicing or during operation. Discharge accumulated static electricity by touching one's hand to a well-grounded object before working with the device.

For proper installation and subsequent operation of the device, pay special attention to the following recommendations:

1. Turn circuit breaker to **OFF** position, or remove fuse(s), and test that power is off before installation process.



Never wire any electrical device with power turned on. Wiring while **HOT** may cause permanent damage to this device and other equipment and void warranty.

2. Remove the front cover of the device from the mounting plate:
 - a. Remove the security screw
 - b. Using an appropriately sized tool, press in the two (2) release tabs on the sides of the device and pull the front cover out from the bottom. See Figure 2 for security screw and release tab locations.
3. Pull all cables 6" (15cm) out of the wall and insert them through the central hole of the back plate.
4. Make sure that the mounting surface is flat and clean.
5. Screw the back plate onto the electrical junction box.
6. Plug the wire(s) into the connector(s). Gently push excess wiring back into the wall.
7. Reattach the front plate and make sure it clips tightly into place. Tighten the security screw.
8. Upon restoring power, unit will begin discovering connected devices. After discovery is complete, use touch screen features to confirm operation.

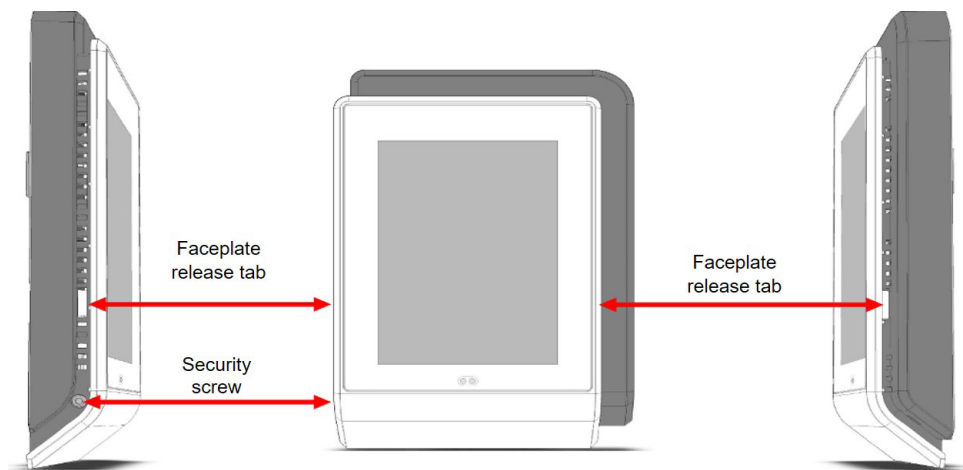


Figure 2 - Security Screw and Faceplate Tab Locations

SPECIFICATIONS

| | | |
|----------------------|---|--|
| Electrical | Input Ratings | 15-24VDC, 60mA, Class 2 (via included PS-150 or PS-150-347 power supply) |
| | Standards/Ratings | Energy Management Equipment, FCC Rules Part 15, Subpart B Class B |
| Mechanical | Dimensions | 5.18"H x 3.37"W x 0.75"D (131.5mm x 85.5mm x 19mm) |
| | Mounting | Single-Gang Box or Low Voltage Ring |
| | Connection Type | RJ-45 nLight Network Ports (2) Low-Voltage Terminals |
| | Color: | White, Black |
| Environmental | Warrantied Operating Temperature | Standard: 32°F to 122°F (0°C to 50°C) |
| | Relative Humidity | Up to 90%, Non-Condensing |
| | Standards/ Rating | RoHS |
| General | Standards/ Rating | System Component to aid in compliance with Title 24, ASHRAE 90.1, IECC |