



# WATER CHILLER

CWT100

## FEATURES:

- Compact, remote drinking water chiller
- For use with the following InSinkEerator Hot/Cold faucets (sold separately):
  - HC1100; HC2200; HC2215; HC View; HC Wave
  - Note: Not recommended with HC3300
- For use with the following Cold Only faucet: C1100 (sold separately)
- Water temperature from faucet as low as 40°F (recorded in InSinkEerator's controlled environment)
- Adjustable thermostat to control refrigeration system
- Welded water lines
- HFC refrigerant R-134a

## MATERIAL:

- Stainless steel storage tank
- 1/4-inch OD stainless steel water tube connections
- White Powder coated galvanized steel cabinet with gray plastic front

## WARRANTY:

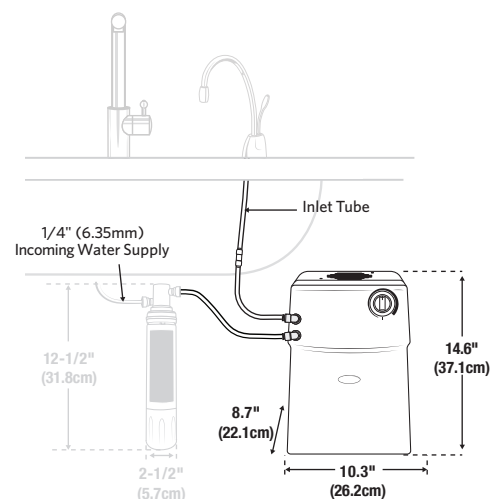
We Come To You® 3-Year In-Home Limited Warranty.  
Covers parts and labor.

The complete InSinkEerator warranty is included in the Care & Use booklet with each unit.

## CERTIFICATIONS:



Compressor H/P	1/20
Wattage	135 Watts
Voltage	115 Volts
Current	1.2 Amps
Approx Net Weight	30 lbs (13.6 kg)



USA: 1.800.558.5700 [www.insinkerator.com](http://www.insinkerator.com)  
CA: 1.800.561.1700 [www.insinkerator.ca](http://www.insinkerator.ca)



InSinkEerator may make improvements and/or changes in the specifications at any time, in its sole discretion, without notice or obligation and further reserves the right to change or discontinue models.

©2020 InSinkEerator, InSinkEerator® is a business unit of Emerson Electric Co. All rights reserved.