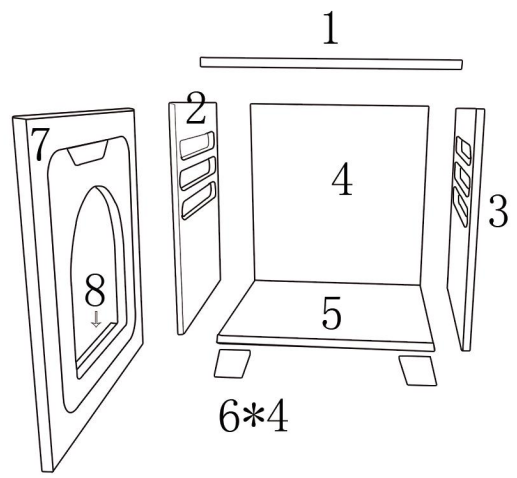
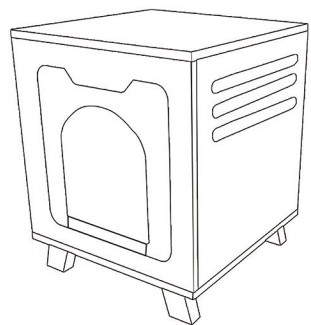
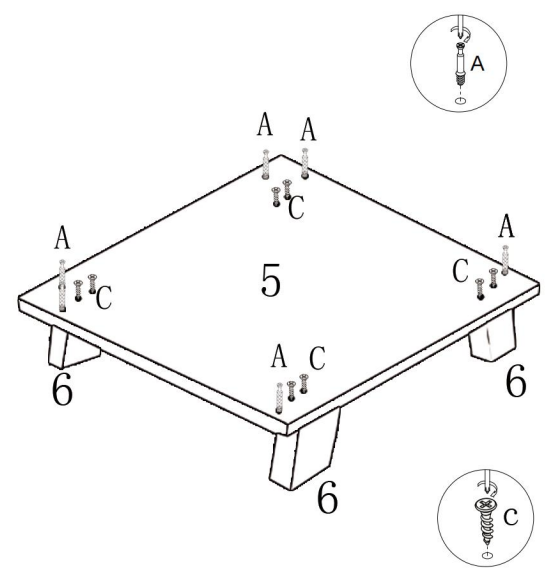


ASSEMBLY INSTRUCTION

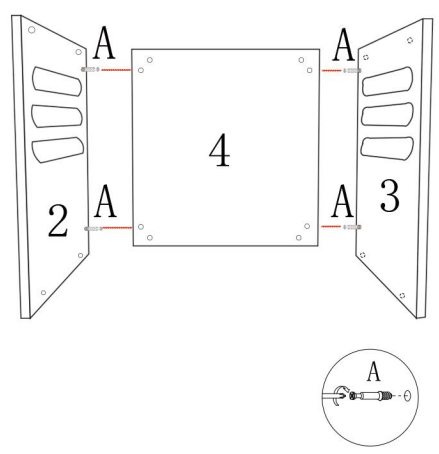


STEP 1

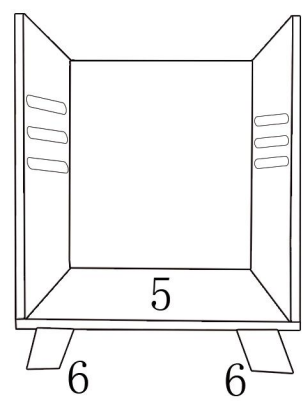


- | | | | | | |
|--|---|---|---|---|---|
|  |  |  |  |  |  |
| Ax16 | Bx16 | Cx8 | Dx2 | Ex2 | Fx12 |

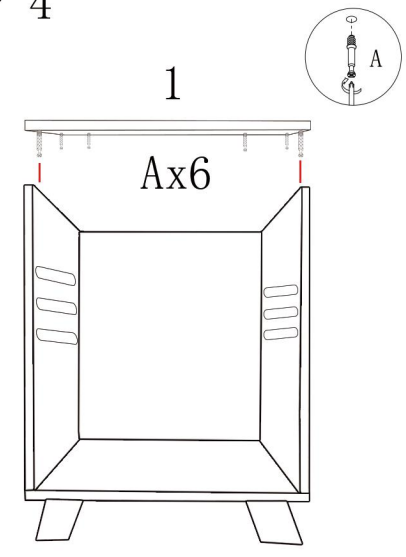
STEP 2



STEP 3



STEP 4



STEP 5

