

19.7"

Item Number:

SS-361-MW

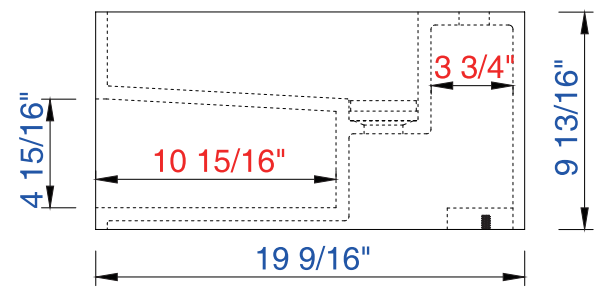
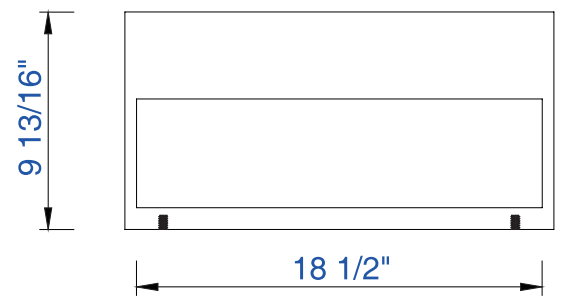
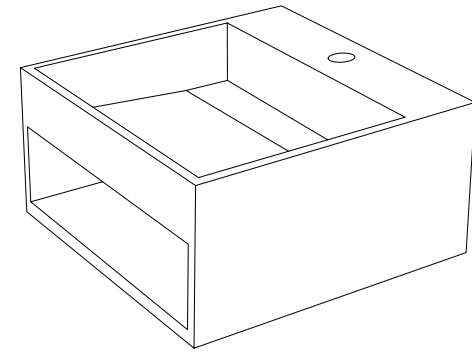
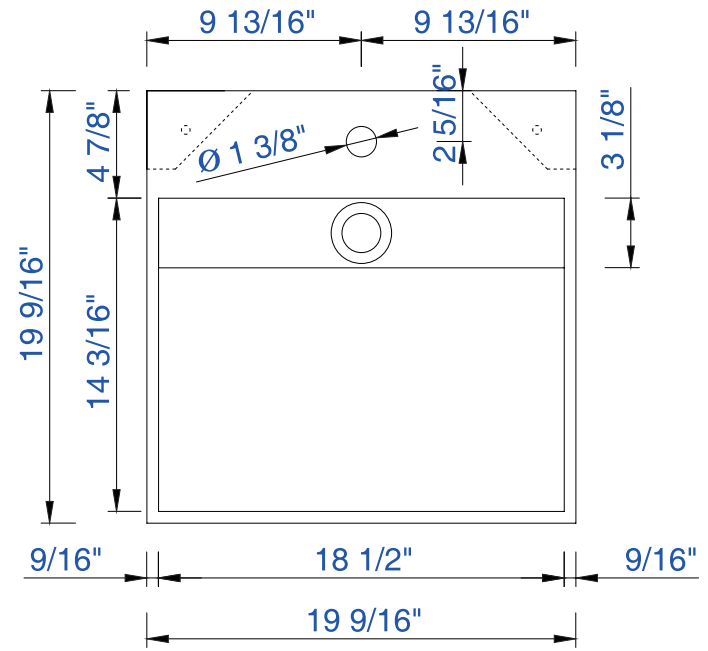
JAMES MARTIN



VANITIES™

19.7" Vanity Top

Diagrams with Dimensions  
page 01 of 01

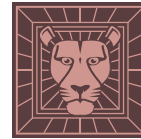


497mm

Item Number:

SS-361-MW

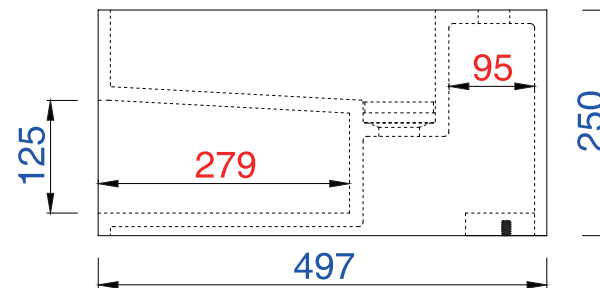
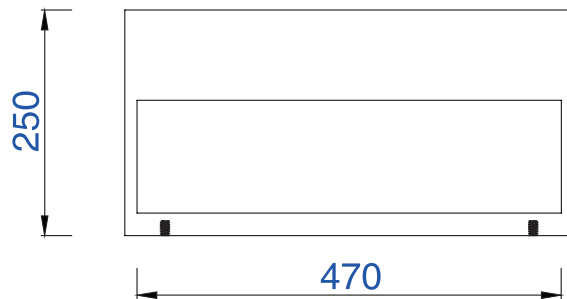
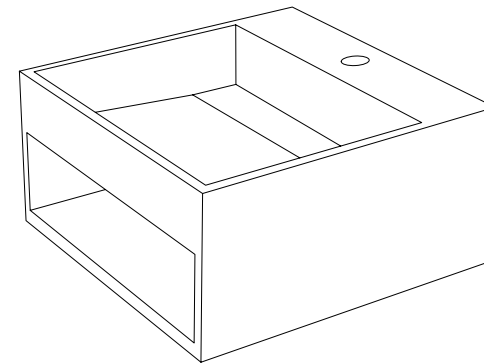
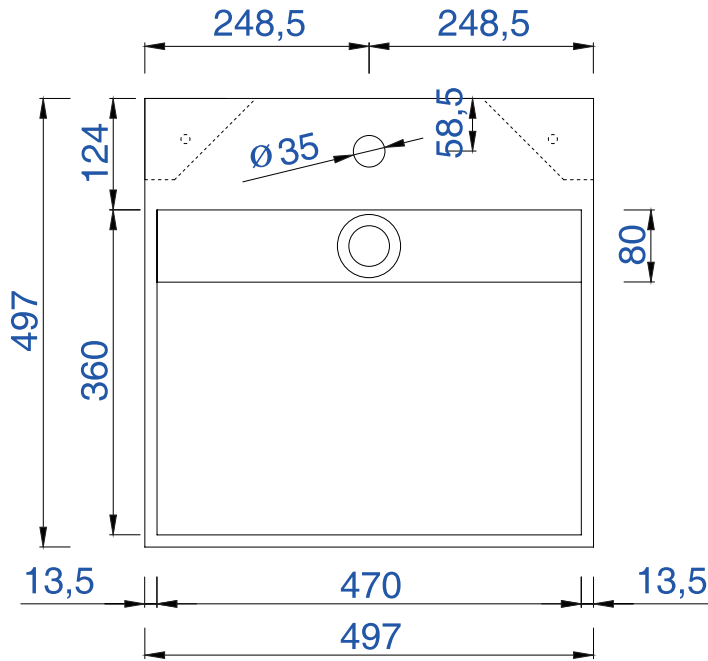
JAMES MARTIN



VANITIES™

497mm Vanity Top

Diagrams with Dimensions  
page 01 of 01



Version:201912