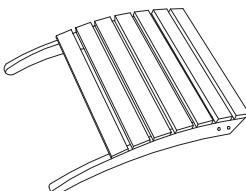




WOODEN ADIRONDACK OTTOMAN

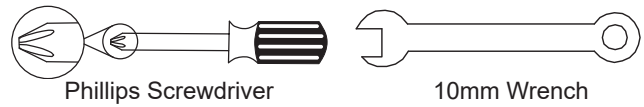
Read all assembly and care instructions carefully before using this product. Save this manual for future reference.
Assemble components on a soft, clean surface to avoid scratching or damaging the finish.



Inspect packaging to ensure all parts are accounted for before disposing of packing materials.

No.	PARTS	QTY.
A	 Main Panel	1
B	 Leg	1
C	 Bolt Set	1

TOOLS REQUIRED (not included)

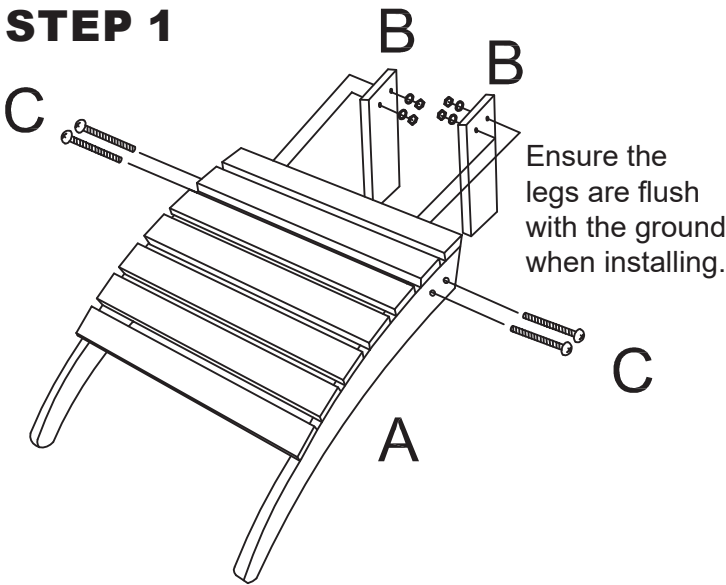


WARNING

CHOKING HAZARD — This item contains small parts that can be swallowed. Keep children away during assembly.

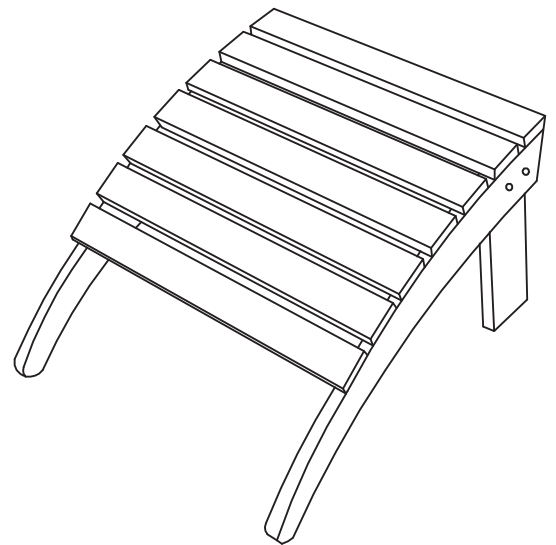
ASSEMBLY

STEP 1



Do not fully tighten hardware until all components have been loosely assembled.

STEP 2



Tighten all nuts and bolts; do not over-tighten as it may damage the finish and crack the wood.

Care & Maintenance

- Do not sit on the ottoman. This product was designed to be a footrest only.
- To clean, wipe down with a damp cloth. Do not use chemicals or abrasive materials as it may damage the finish.
- During winter and freezing temperatures, move the furniture to a cool, dry indoor location. Covering while in storage will help prevent dust build-up.

Any modification to the product or failure to follow recommended care will void the product warranty.