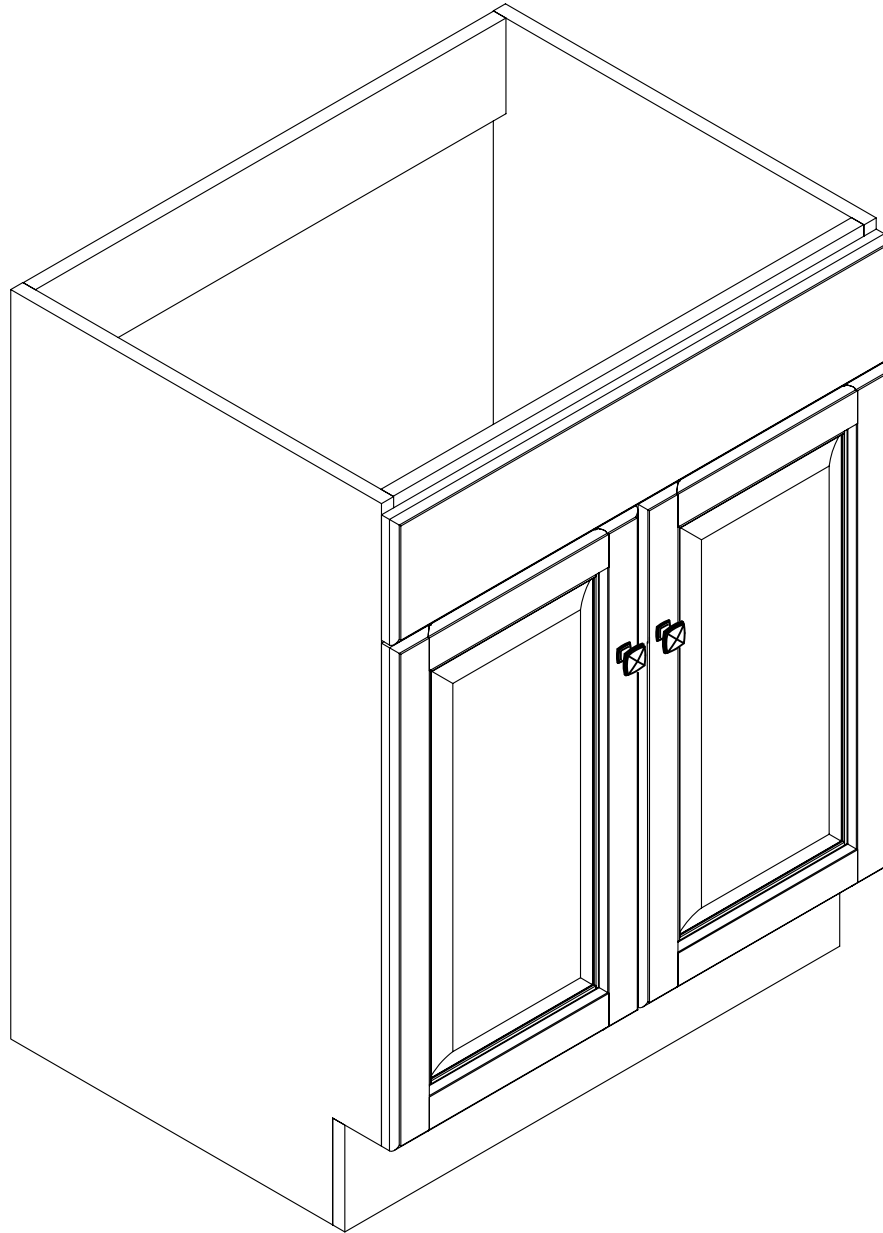




www.todaysdesignhouse.com

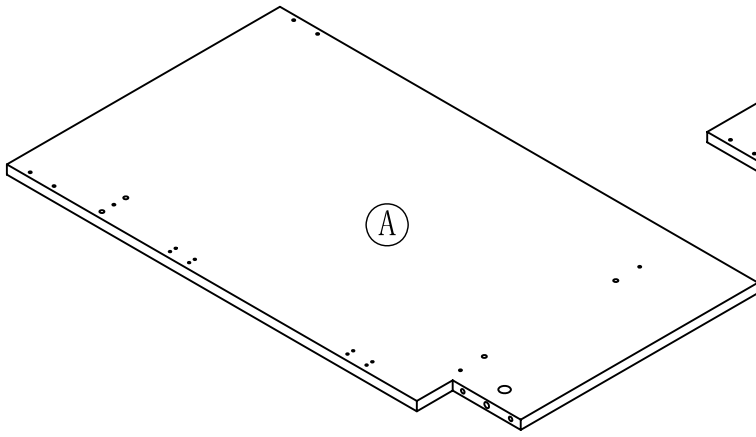


531939 • 531947 • 531731 • 531749

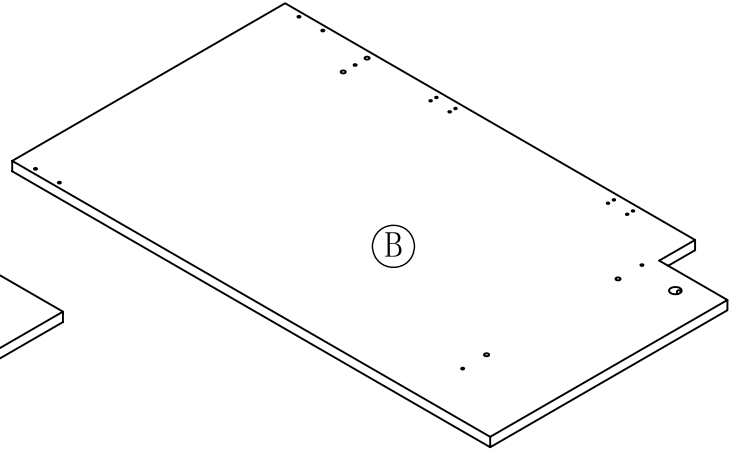
ASSEMBLY INSTRUCTIONS

DHI Corp. • 5205 W. Donges Bay Rd. • Mequon, WI 53092 • 800.558.8700

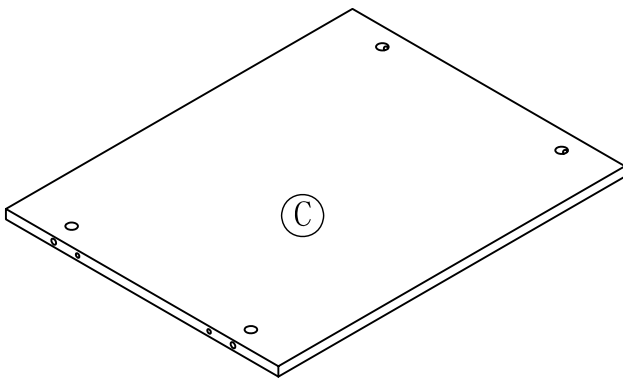
PARTS LIST:



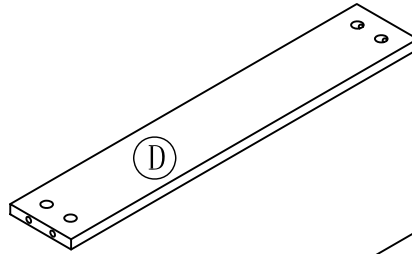
LEFT SIDE PANEL 1PC



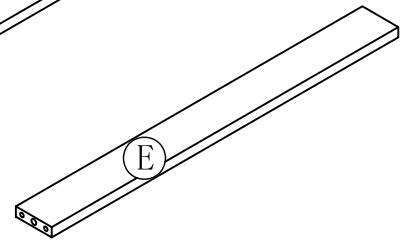
RIGHT SIDE PANEL 1PC



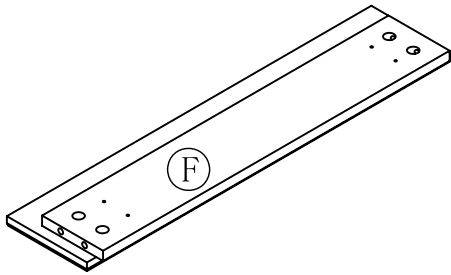
BOTTOM PANEL 1PC



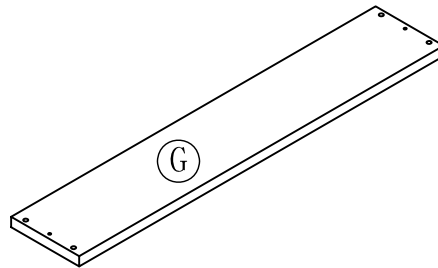
BACK CROSS BRACE 1PC



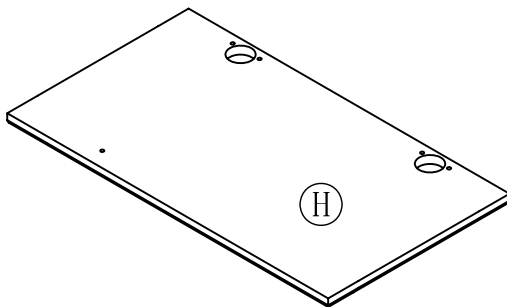
FRONT CROSS BRACE 1PC



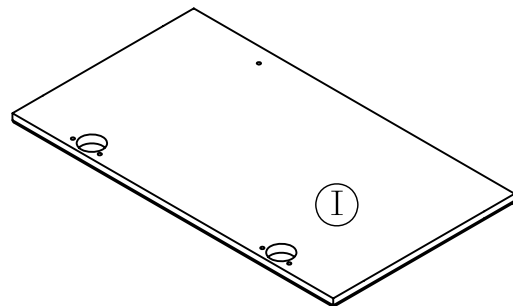
FALSE DRAWER FRONT 1PC



TOE KICK PANEL 1PC

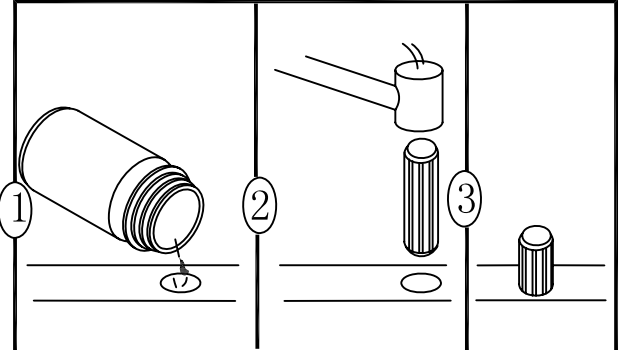
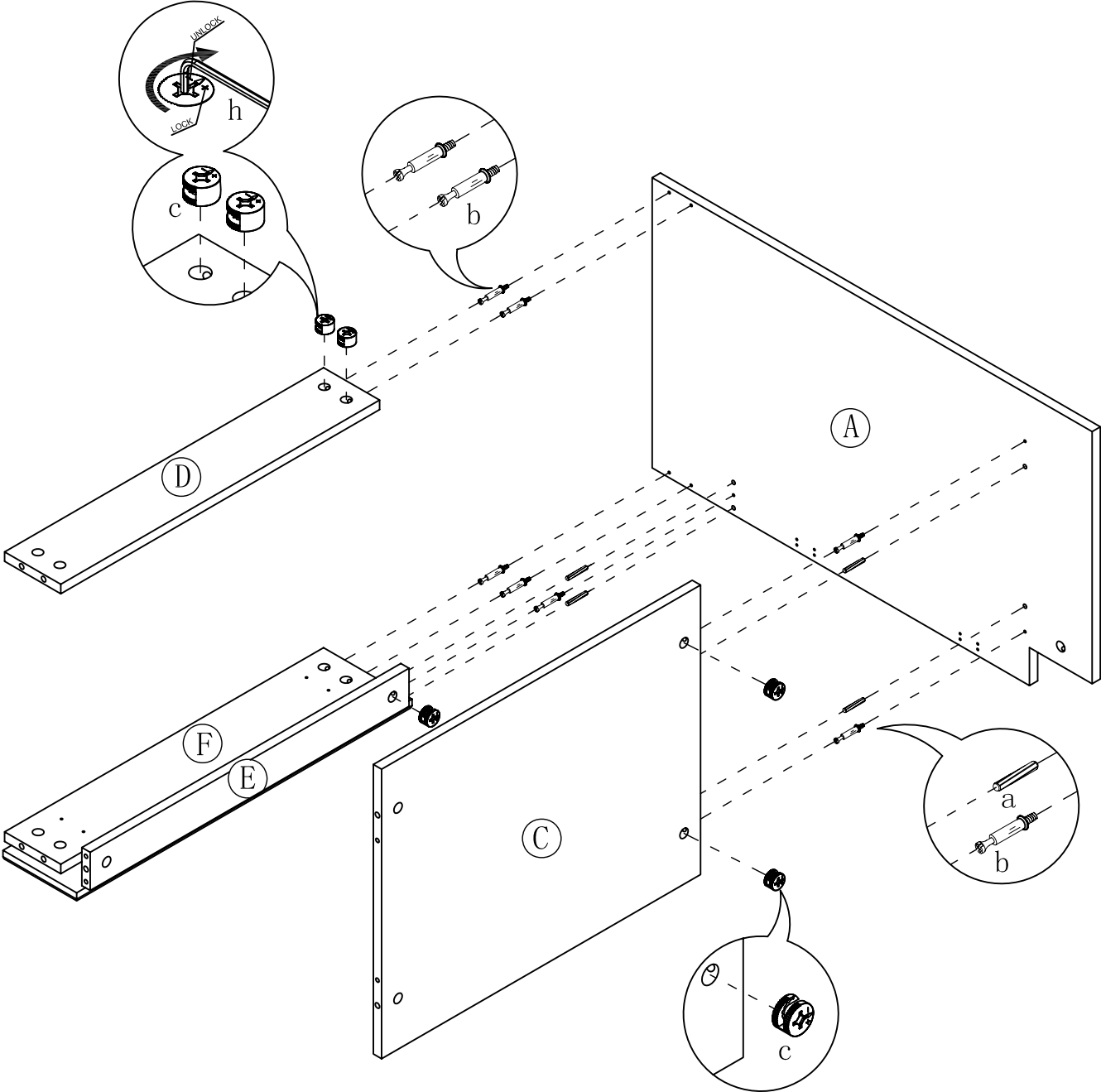


LEFT SIDE DOOR 1PC

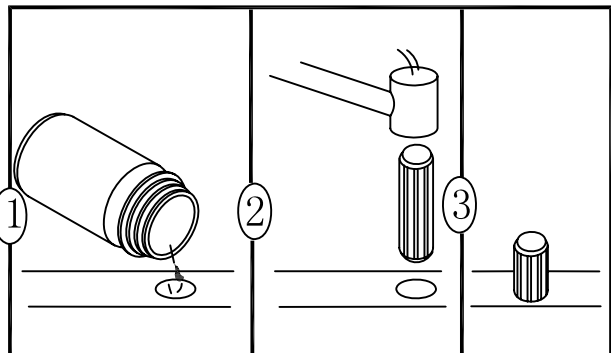
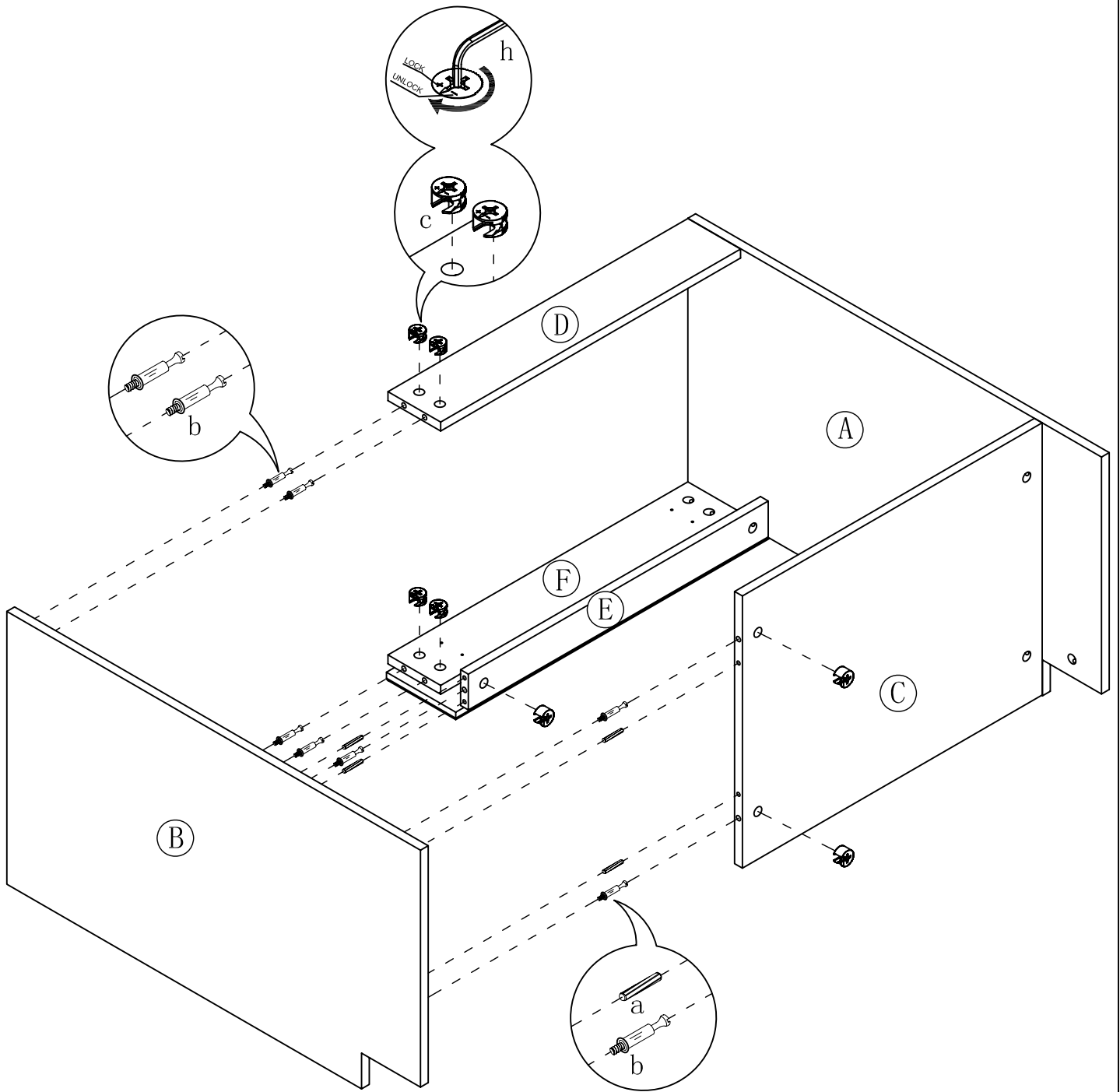


RIGET SIDE DOOR 1PC

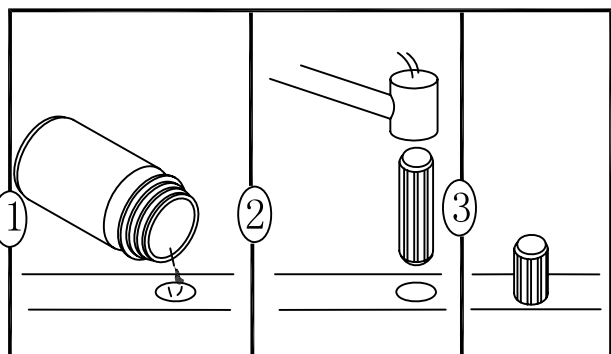
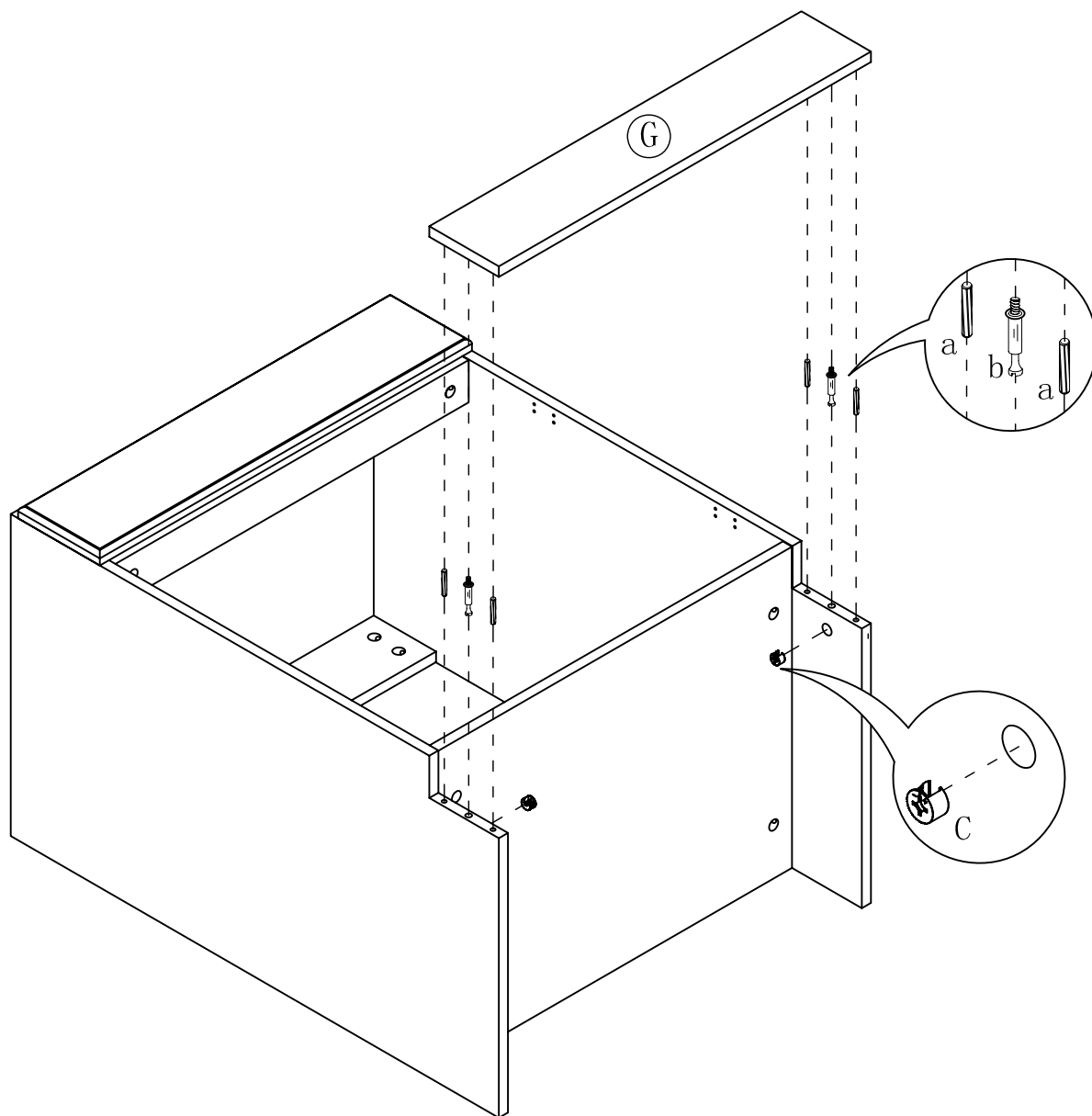
STEP 1



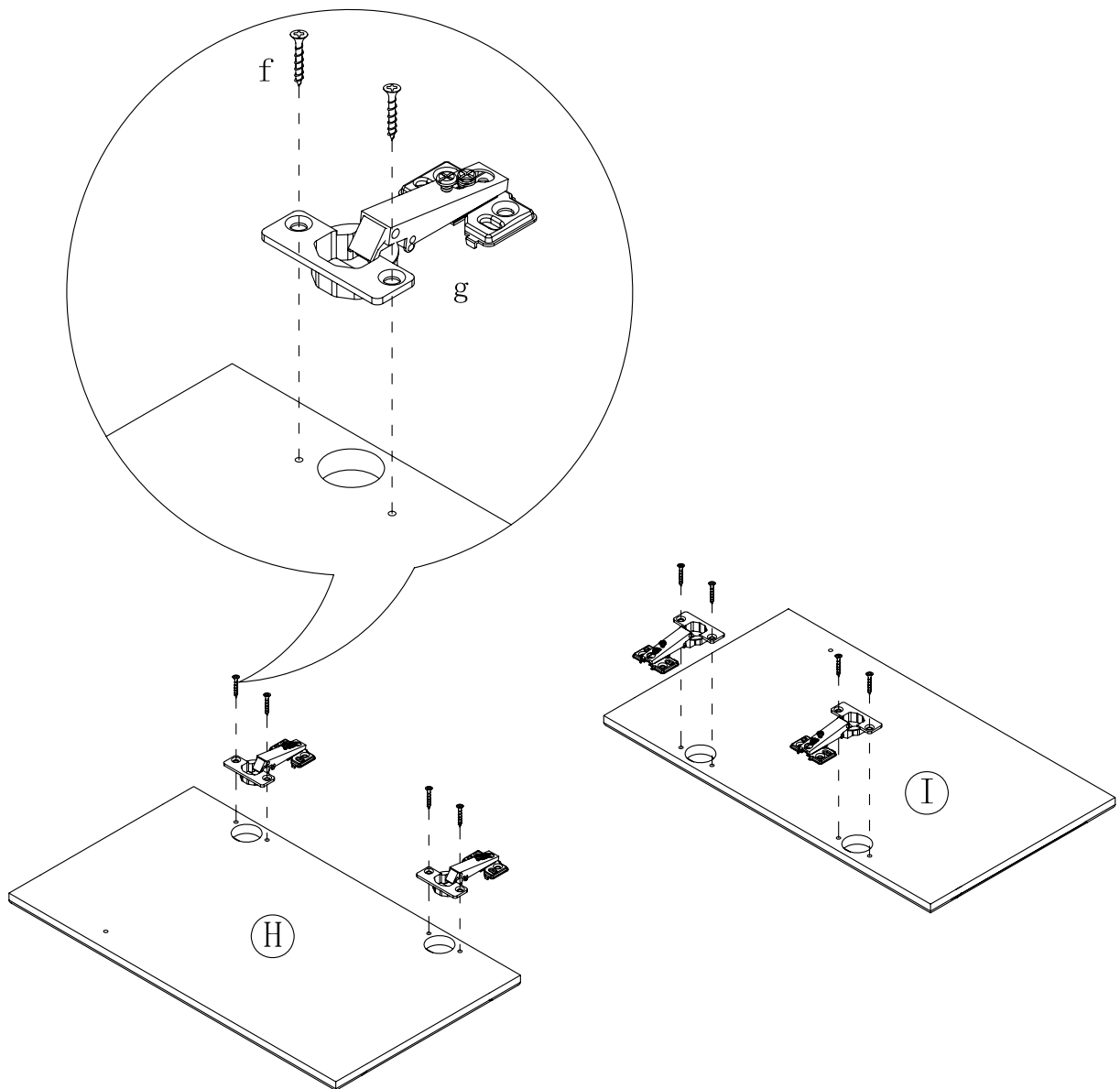
STEP 2



STEP 3



STEP 4



STEP 5

