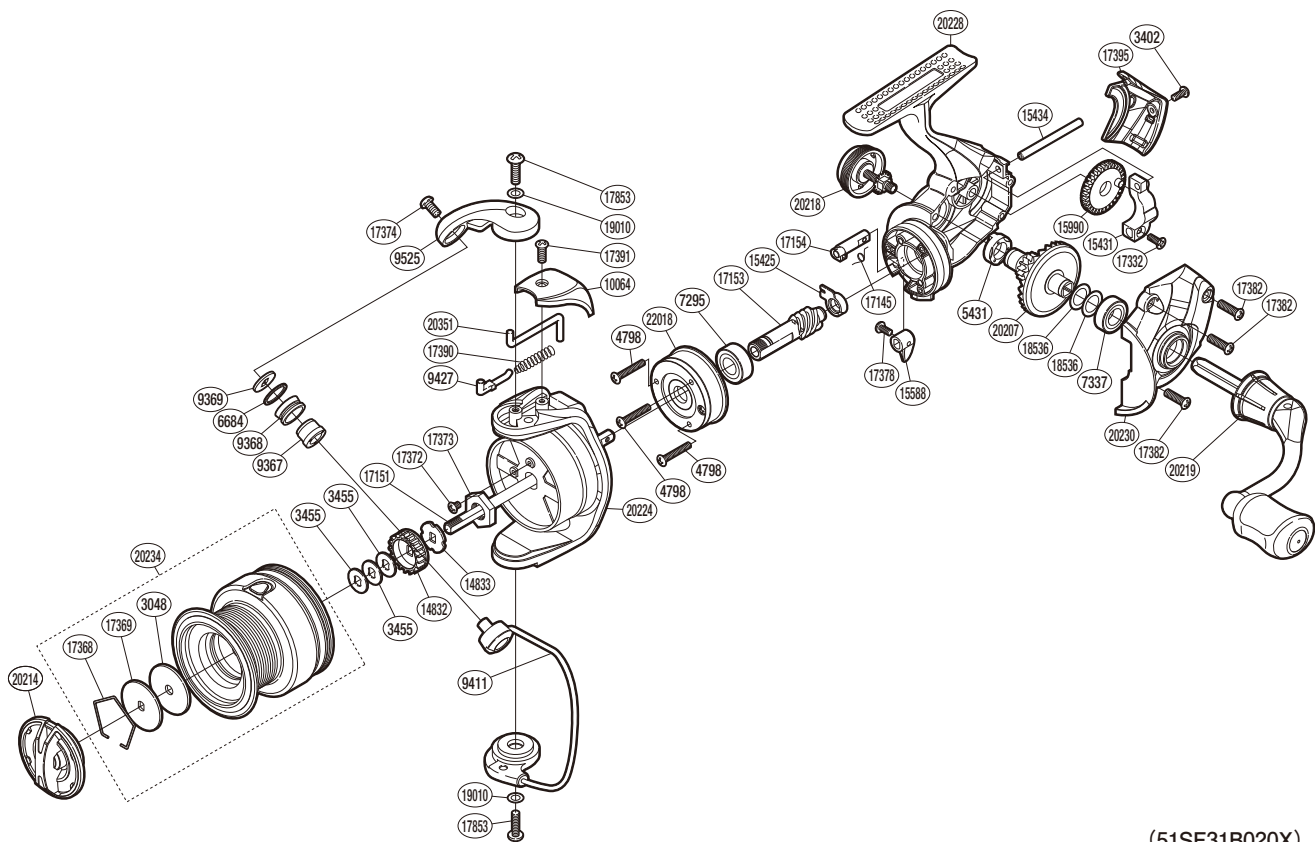


# SHIMANO

## FX

## FX2000FC



(51SF31B020X)

#	Part No.	Description	#	Part No.	Description	#	Part No.	Description
3048	1031C	Drag Washer	15425	1074K	Pinion Gear Bushing	17390	10FVC	Bail Spring
3402	103ND	Screw	15431	10G7D	Oscillating Slider	17391	10LFK	Screw
3455	10BXN	Spool Washer	15434	1035A	Oscillating Guide	17395	10R3P	Rear Protector
4798	103C6	Screw	15588	10AP0	Anti-Reverse Lever	17853	10LFH	Screw
5431	10GMX	Drive Gear Bushing	15990	10G9N	Oscillating Gear	18536	1003B	Washer
6684	10KFD	Line Roller Spacer	17145	105B4	Anti-Reverse Cam Spring	19010	100MF	Washer
7295	107FC	Ball Bearing	17151	103NT	Main Shaft	20207	10RT1	Drive Gear
7337	107AR	Ball Bearing	17153	10C55	Pinion Gear	20214	10RT0	Drag Knob Assembly
9367	10PFE	Line Roller Bushing	17154	1053S	Anti-Reverse Cam	20218	10RSW	Handle Screw Cap
9368	10JLF	Line Roller	17332	10R1P	Screw	20219	10RT5	Handle Assembly
9369	10PFP	Line Roller Washer	17368	10MZM	Drag Washer Retainer	20224	10RT7	Rotor
9411	10Q9J	Bail Assembly	17369	10N23	Key Washer	20228	10RTB	Body
9427	105LT	Bail Spring Guide A	17372	10LCE	Screw	20230	10RTP	Side Cover
9525	10DEV	Bail Arm	17373	10817	Rotor Nut	20234	10RTQ	Spool Assembly
10064	10DDC	Bail Spring Cover	17374	10K90	Screw	20351	10SUD	Bail Trip Lever
14832	103MU	Spool Support A	17378	10L1R	Screw	22018	10QY9	Roller Clutch Assembly
14833	10J04	Spool Support B	17382	10L6J	Screw			

Please note that the number of adjusting washers may not be the same as shown in the exploded views.  
(Adjustment will vary with each individual product.)

(230824)\_004