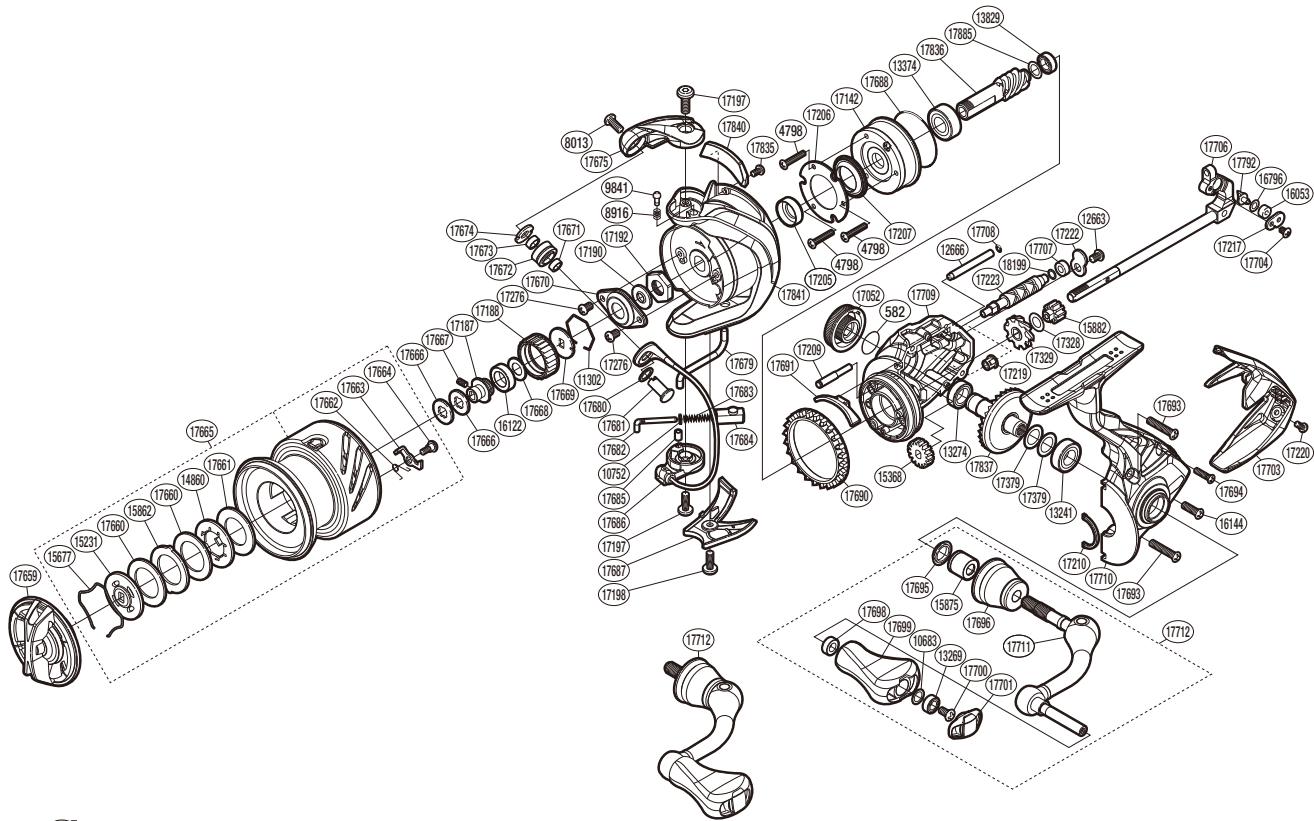


SHIMANO

STRADIC *CI4+* SA-RB

STCI4-2500HGFB



SA-RB
(51SE792602X)

Please note that the number of adjusting washers may not be the same as shown in the exploded views. (Adjustment will vary with each individual product.)

Part No.	Description	Part No.	Description	Part No.	Description
RD 0582	O Ring	RD17205	Rotor Ring	RD17682	Bail Spring Guide A
RD 4798	Screw	RD17206	Roller Clutch Reinforce	RD17683	Bail Spring
RD 8013	Screw	RD17207	Roller Clutch Water Proof	RD17684	Bail Spring Seat
RD 8916	Click Spring	RD17209	Idle Gear B Shaft	RD17685	Bail Spring Guide A Bush
RD 9841	Click Pin	RD17210	Flange Water Proof	RD17686	Bail Assembly
RD10683	Washer	RD17217	Oscillating Pawl Cover	RD17687	Bail Hold Support Guard
RD10752	Spring Guide A Support	RD17219	Worm Bushing (Front)	RD17688	O Ring
RD11302	Ratchet Spring	RD17220	Screw	RD17690	Friction Ring
RD12663	Screw	RD17222	Worm Shaft Retainer	RD17691	Bail Trip Strike
RD12666	Oscillating Guide A	RD17223	Worm Shaft	RD17693	Screw
RD13241	Ball Bearing	RD17276	Screw	RD17694	Screw
RD13269	Ball Bearing	RD17328	Washer	RD17695	Handle Shaft Seal
RD13274	Ball Bearing	RD17329	Idle Gear B (Large)	RD17696	Handle Shaft Cover
RD13374	Ball Bearing	RD17379	Washer	RD17698	Handle Knob Bushing
RD13829	Ball Bearing	RD17659	Drag Knob	RD17699	Handle Knob
RD14860	Key Washer	RD17660	Drag Washer	RD17700	Screw
RD15231	Key Washer	RD17661	Drag Washer	RD17701	Handle Knob Seal
RD15368	Idle Gear	RD17662	Drag Click Spring	RD17703	Rear Protector
RD15677	Drag Washers Retainer	RD17663	Drag Click	RD17704	Screw
RD15862	Eared Washer	RD17664	Screw	RD17706	Main Shaft Assembly
RD15875	Handle Shaft Cover B	RD17665	Spool Assembly	RD17707	Worm Bushing
RD15882	Idle Gear B (Small)	RD17666	Spool Washer	RD17708	O Ring
RD16053	Oscillating Slider Bushing	RD17667	Set Screw	RD17709	Body
RD16122	Spool Bushing	RD17668	Washer	RD17710	Side Cover
RD16144	Screw	RD17669	Spool Support	RD17711	Handle Shank Assembly
RD16796	Spacer	RD17670	Rotor Nut Lock Plate	RD17712	Handle Assembly
RD17052	Handle Screw Cap	RD17671	Bearing Spacer	RD17792	Oscillating Pawl
RD17142	Roller Clutch Assembly	RD17672	Line Roller	RD17835	Screw
RD17187	Bearing Bushing	RD17673	Bearing Spacer	RD17836	Pinion Gear
RD17188	Drag Click Ratchet	RD17674	Line Roller Plate	RD17837	Drive Gear
RD17190	Bearing Water Proof	RD17675	Bail Arm	RD17840	Counterweight Cover Assembly
RD17192	Rotor Nut	RD17679	Bail Trip Lever	RD17841	Rotor
RD17197	Screw	RD17680	Washer	RD17885	Washer
RD17198	Screw	RD17681	Line Roller Support	RD18199	Washer