

AXOR Uno
Single-Hole Faucet 250 with Pop-Up Drain, 1.2 GPM
 Finishes : **brushed nickel** Part no. : **38025821**



Description

Features

- Aerated spray
- Flow: 1.2 GPM (4.5 L/Min)
- Ceramic cartridge
- Includes pop-up drain

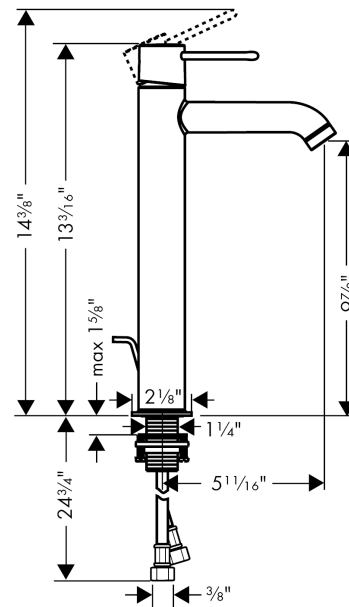
Technology



Product image



Scale drawing

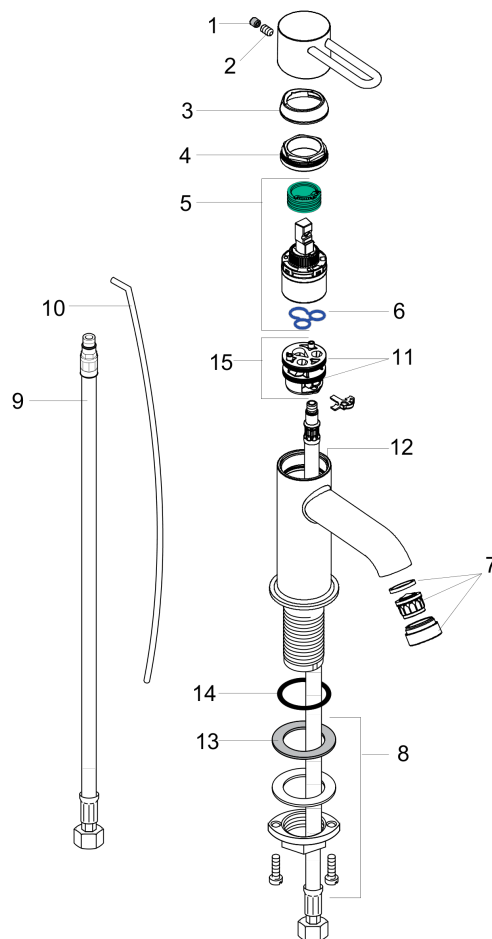


AXOR Uno
Single-Hole Faucet 250 with Pop-Up Drain, 1.2 GPM
Finishes : **brushed nickel** Part no. : **38025821**



Exploded drawing

Year of production: >07/16



AXOR Uno
Single-Hole Faucet 250 with Pop-Up Drain, 1.2 GPM
 Finishes : **brushed nickel** Part no. : **38025821**



Spare parts list

Year of production: >07/16

Pos.	Description	Part no.	PC	PU
1	screw cover	96762000	0	1
2	hollow set screw M6x10 DIN 916	96029000	0	1
3	flange	96763820	0	1
4	nut	97209000	0	1
5	cartridge, assy	95646001	0	1
6	seal	95008000	0	1
7	aerator M24x1 (4,5 l/min)	92878820	0	1
8	fixing set (Ø 32)	13961000	0	1
9	connection hose 35½" M8x0,75 3/8"	96316001	0	1
10	pull rod	96923820	0	1
11	O-Ring 30x2	98186000	0	1
12	O-ring 35x2	92604000	0	1
13	lever collar	97548000	0	1
14	flat seal	98749000	0	1
15	adapter for cartridge	98750000	0	1
a	pop up waste	88509820	0	1
b	handle	38094820	0	1