



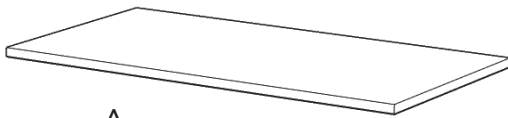
IMPORTANT

Carefully remove all the parts from the carton and place them individually on a soft cloth to prevent scratches or other damage.

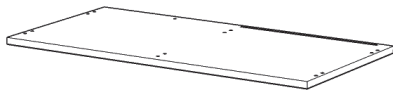
Carefully and strictly follow these assembly instructions to ensure a completed product as designed.

Do not use power tools above 8 volts to assemble.

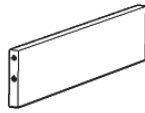
Part List



A.
Top
1 pc.



O.
Base
1 pc.



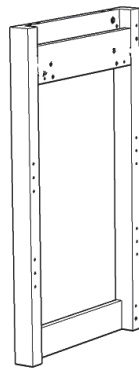
G.
Support
1 pc.



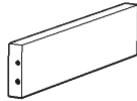
K.
Rail
1 pc.



P.
Back Panel
1 pc.



B.
Side Frame
1 pc.



H.
Support
1 pc.



L.
Back Rail
1 pc.



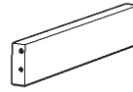
N.
Back Rail
1 pc.



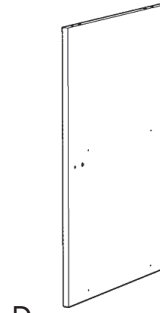
Q.
Shelf
2 pcs.



C.
Side Panel
1 pc.



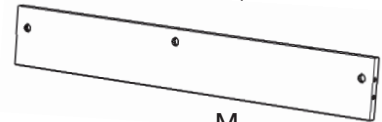
I.
Support
1 pc.



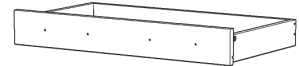
D.
Middle Panel
1 pc.



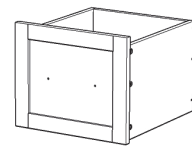
J.
Rail
1 pc.



M.
Back Rail
1 pc.



R.
Drawer
1 pc.



S.
Drawer
2 pcs.

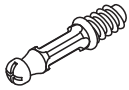
Refer to later page(s) of these instructions for drawer assembly.

Tool(s) required for assembly: Phillips screwdriver

Home Styles Customer Service: www.homestyles-furniture.com,
 servicedesk@homestyles-furniture.com, 888-680-7460, 877-831-0319

Assembly Instructions 2/10

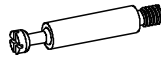
Hardware List



Cam Lock Screw
44 pcs. (+4 extra)



Cam Lock
45 pcs. (+4 extra)



Cam Lock Screw (long)
1 pc. (+1 extra)



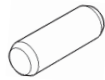
Insert
1 pc. (+1 extra)



Insert Cover
3 pcs. (+1 extra)



M7x10
Varianta Screw
12 pcs. (+1 extra)



Dowel
48 pcs. (+1 extra)



Cover
37 pcs. (+4 extra)



M7x50
Assembly Screw
10 pcs. (+1 extra)



M4x16
Caster Screw
16 pcs. (+1 extra)



M3.5x12
Wood Screw
12 pcs. (+1 extra)



M3.5x50
Flat Head Screw
16 pcs. (+1 extra)



M3.5x19
Plastic Clip Screw
10 pcs. (+1 extra)



Plastic Clip
10 pcs. (+1 extra)



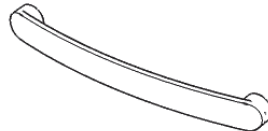
Adjustable Pin
8 pcs. (+1 extra)



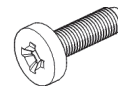
M4x12
Machine Screw
4 pcs.



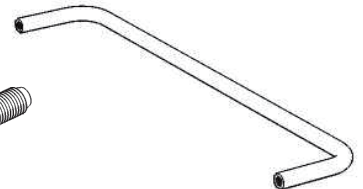
M4x22
Machine Screw (long)
4 pcs.



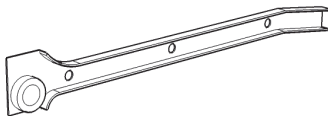
Handle
4 pcs.



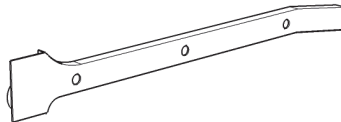
M6x25
Head Cap Bolt
4 pcs. (+1 extra)



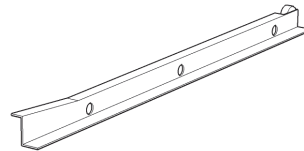
Side Bar
2 pcs.



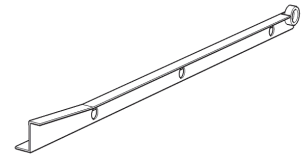
Left Guide
3 pcs.



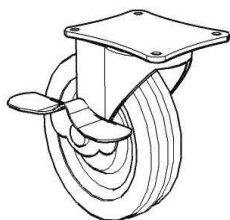
Right Guide
3 pcs.



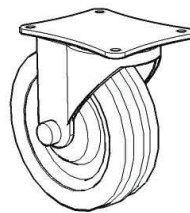
Left Runner
3 pcs.



Right Runner
3 pcs.



Locking
Caster
2 pcs.

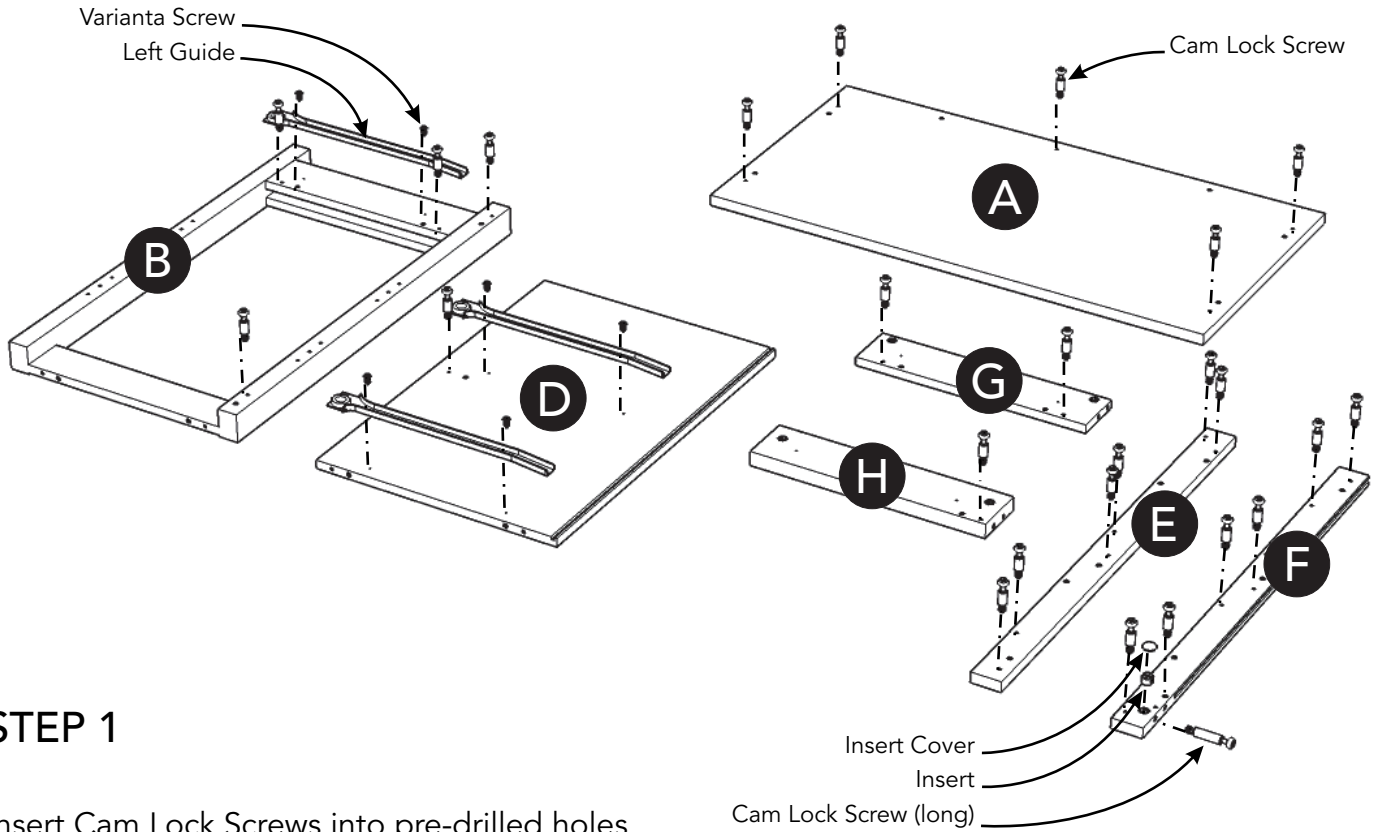


Non-Locking
Caster
2 pcs.

Assembly Instructions 3/10

IMPORTANT

- Use a soft cloth between these parts and the floor.
- Do not use power tools above 8 volts to assemble.



STEP 1

Insert Cam Lock Screws into pre-drilled holes in Top (A), Side Frame (B), Middle Panel (D), Supports (G), (H) and Posts (E), (F), then tighten. (See Figure 1)

Attach Left Guides to Side Frame (B) and Middle Panel (D) with Varianta Screws. (See Figure 2)

Insert Insert into pre-drilled hole in Post (F), insert Cam Lock Screw (long) into Insert, then tighten.

Cover Insert with Insert Cover. (See Figure 4)

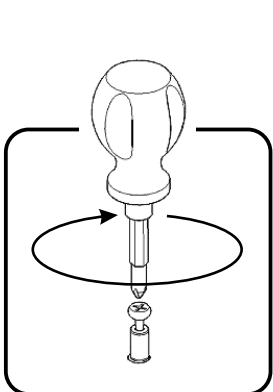


Figure 1

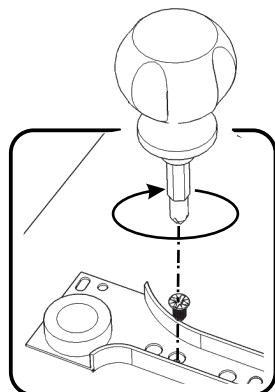


Figure 2

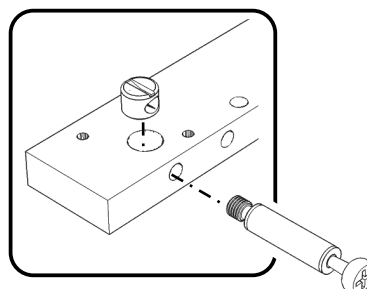


Figure 3

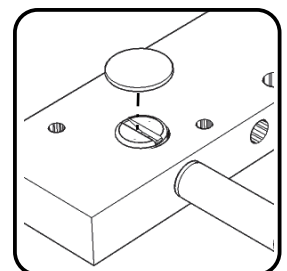
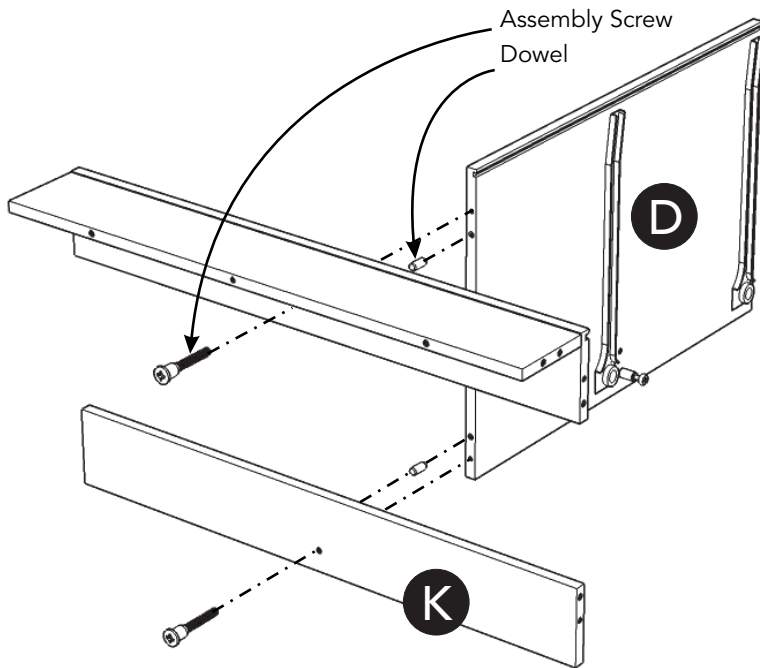
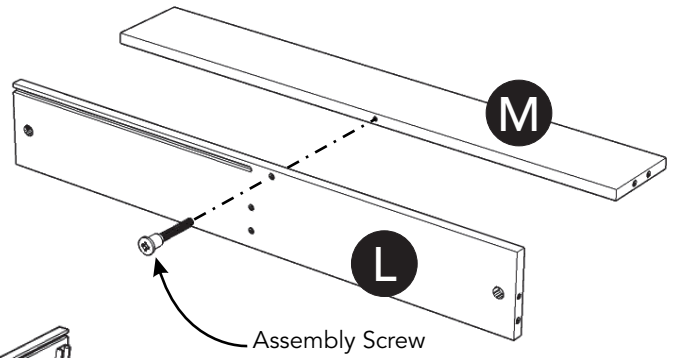


Figure 4

Assembly Instructions 4/10

STEP 2

Attach Back Rail (L) to Back Rail (M) with Assembly Screw.



STEP 3

Attach unit and Rail (K) to Middle Panel (D) with Dowels and Assembly Screws.

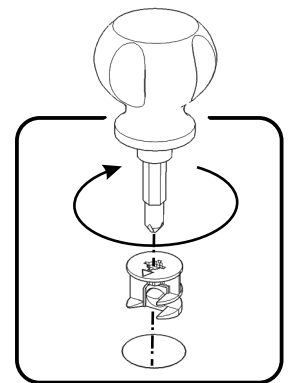


Figure 5

STEP 4

Attach Supports (G), (H), (I) and Posts (E), (F) to Side Panel (C) with Dowels and Cam Locks. (See Figure 5)

Cover Cam Locks with Insert Covers. (See Figure 6)

Attach Right Guides to unit with Varianta Screws.

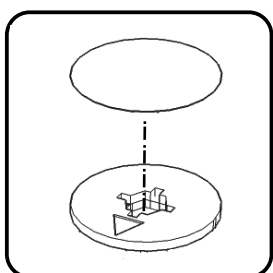
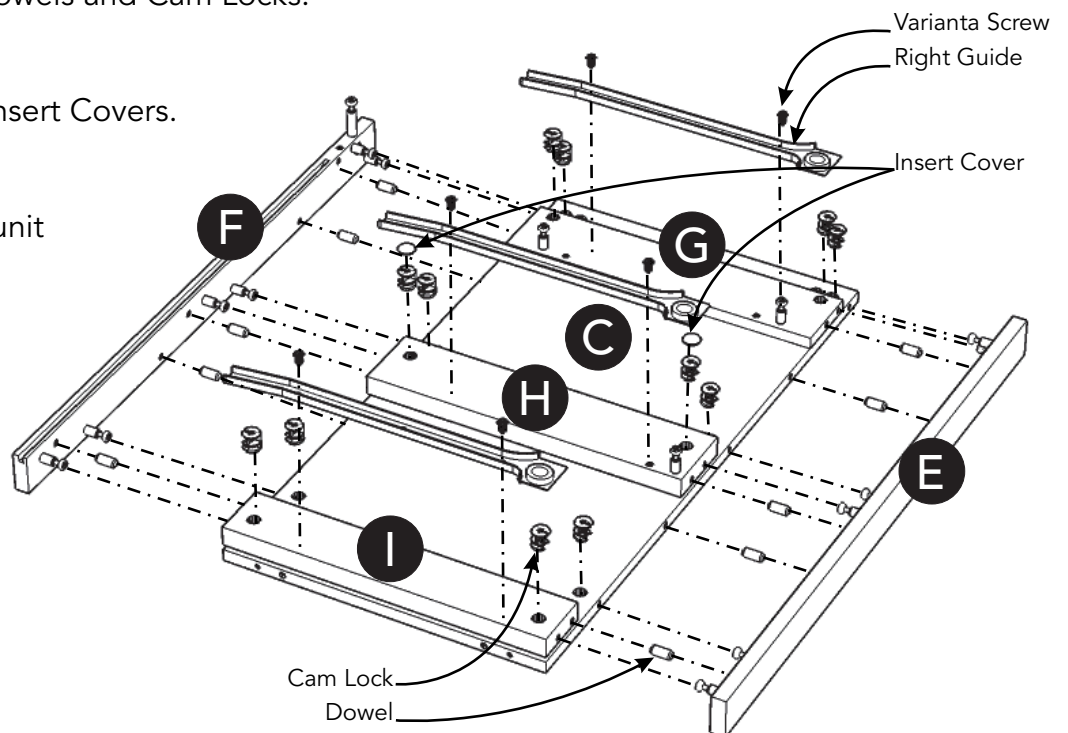


Figure 6

STEP 5

Cover Cam Locks with Covers.
(See Figure 7)

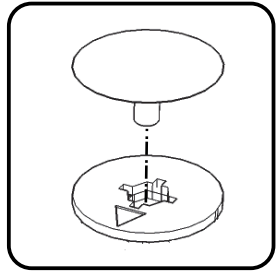
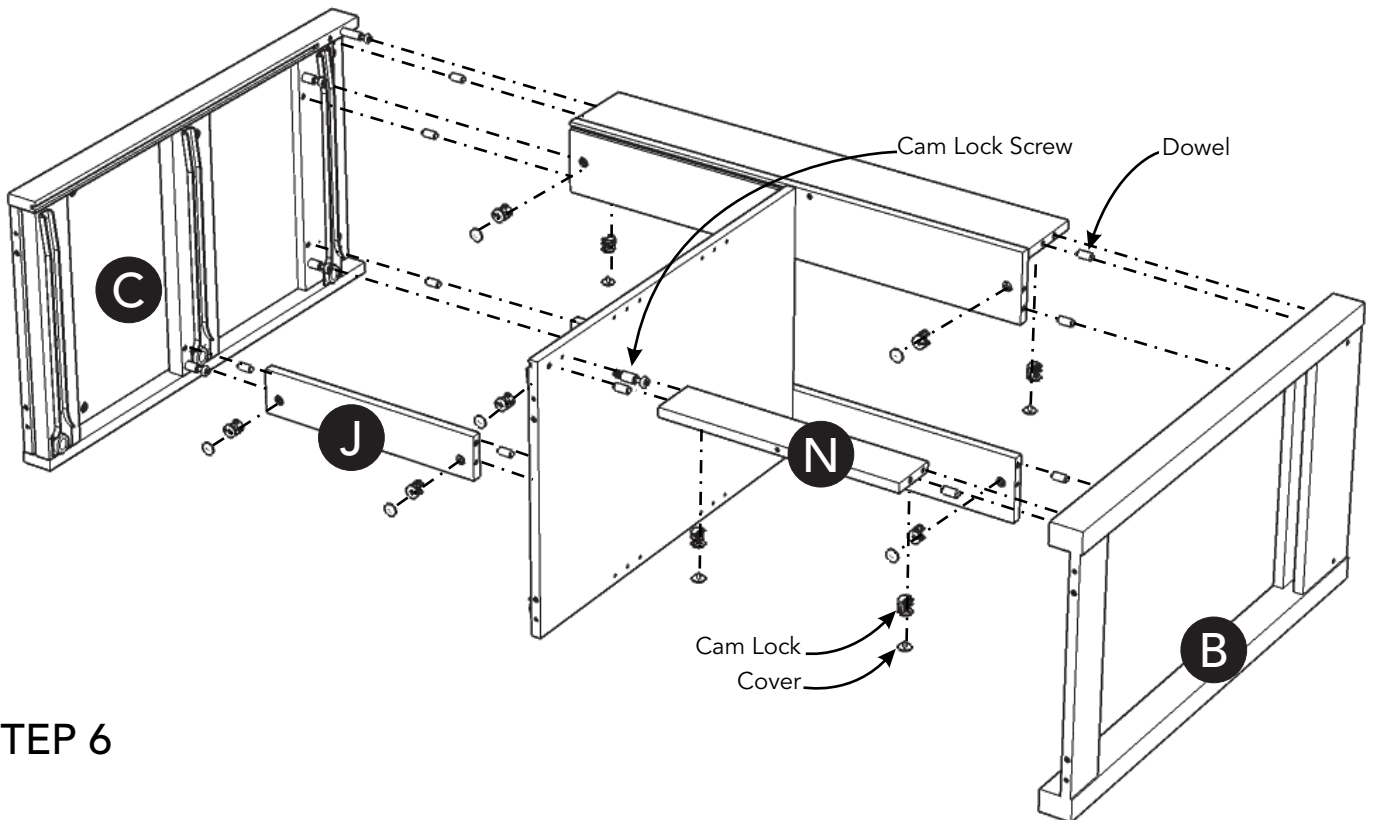
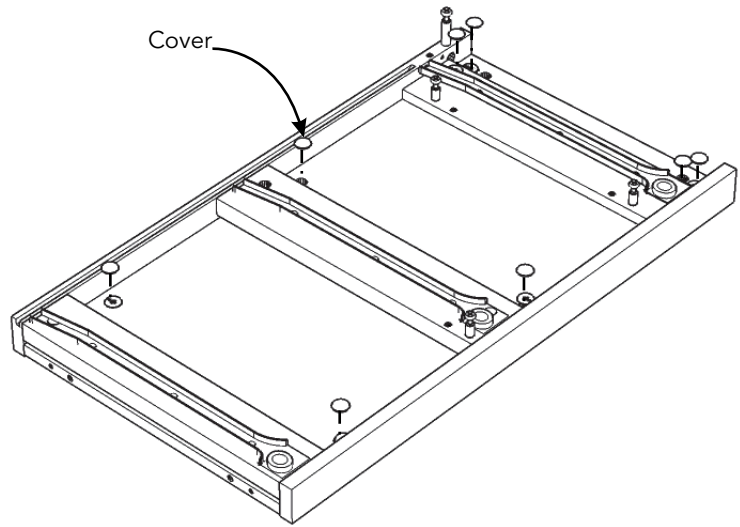


Figure 7



STEP 6

Attach Back Rail (N) and Side Frame (B) to unit from Step 3 with Dowels, Cam Lock Screw and Cam Locks.

Attach Rail (J) and Side Panel (C) to unit with Dowels and Cam Locks.

Cover Cam Locks with Covers.

Assembly Instructions 6/10

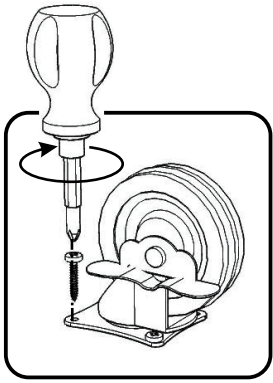
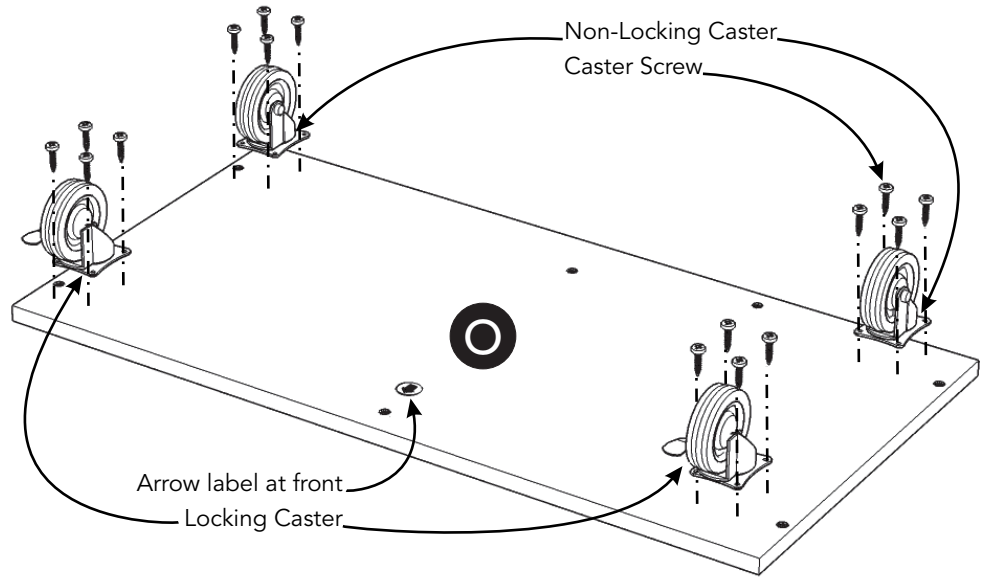


Figure 8

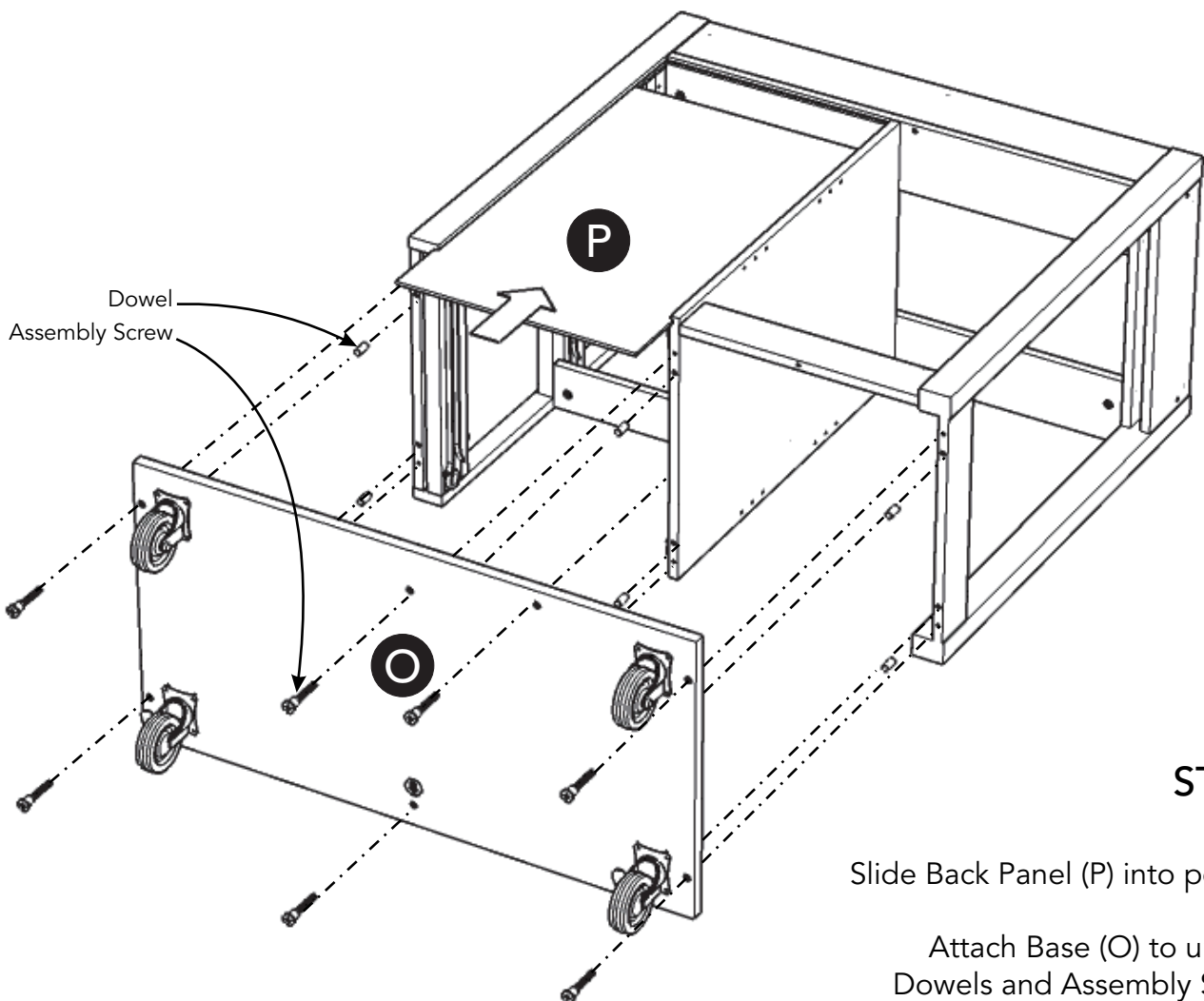


STEP 7

Place Base (O) upside down on a soft cloth.

Attach Casters to Base (O) with Caster Screws into pre-drilled holes, with Locking Casters at front. (See Figure 8)

Note: Arrow label indicates front of unit.



STEP 8

Slide Back Panel (P) into position.

Attach Base (O) to unit with Dowels and Assembly Screws.

Assembly Instructions 7/10

STEP 9

Turn unit to its upright position.

Attach Side Bars to unit with Head Cap Bolts into pre-drilled holes.

Attach Plastic Clips to unit with Plastic Clip Screws. (See Figure 9)

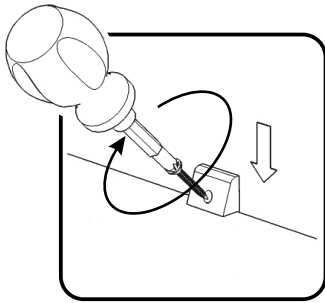
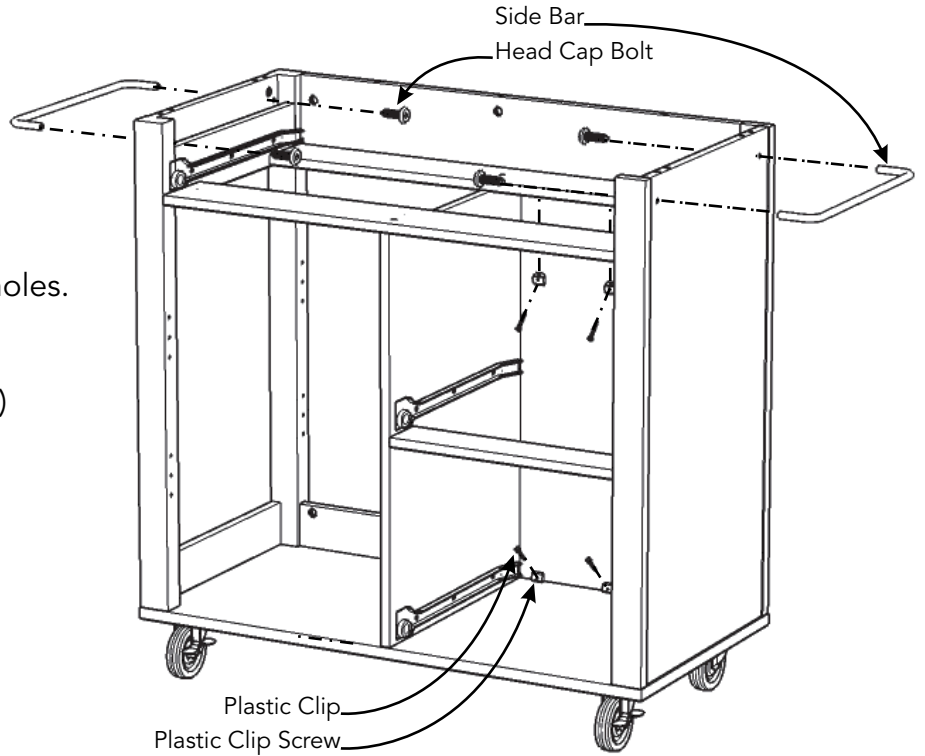
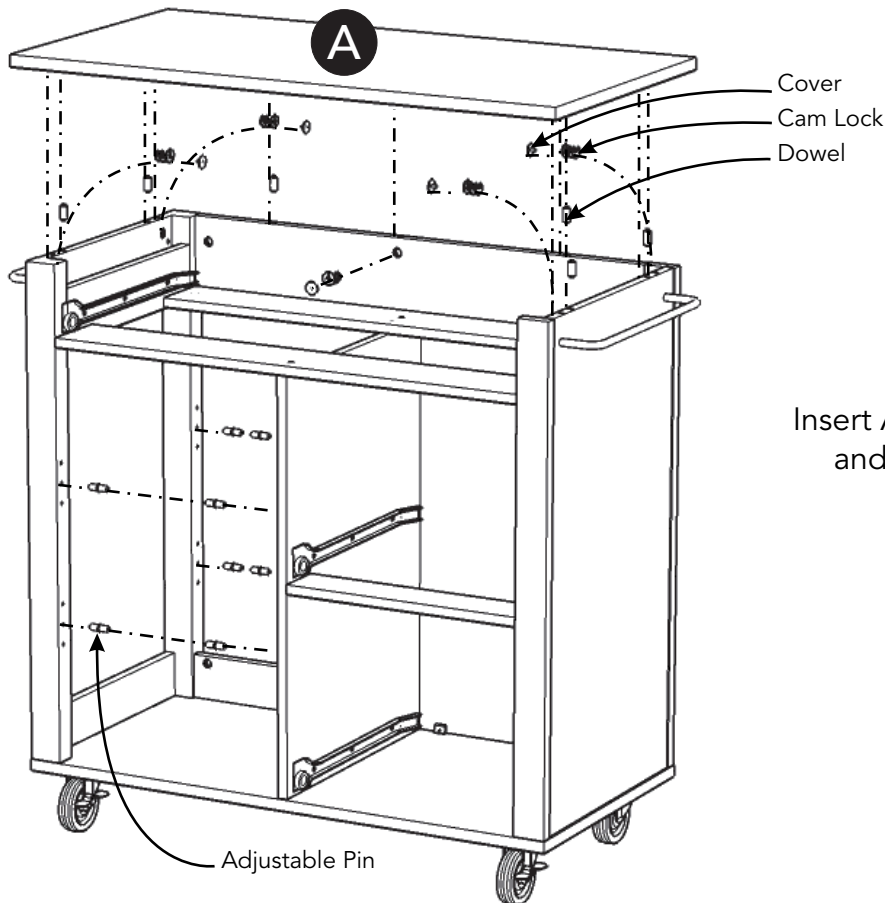


Figure 9



STEP 10

Attach Top (A) to unit with Dowels and Cam Locks.

Cover Cam Locks with Covers.

Insert Adjustable Pins into side panel and middle panel at desired level. (See Figure 10)

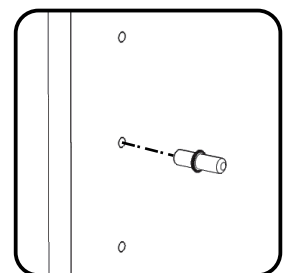
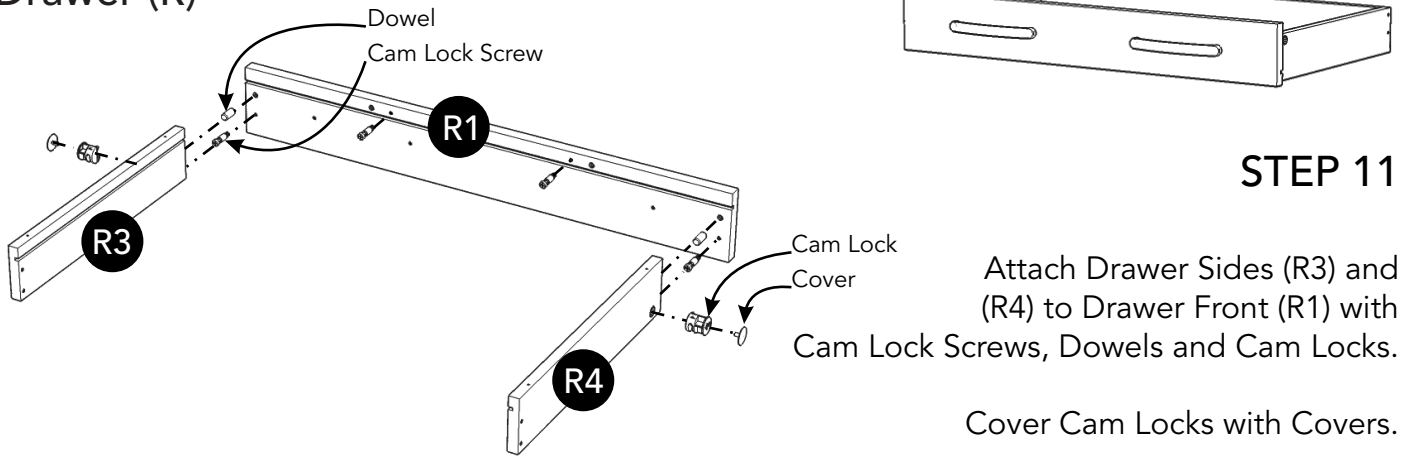


Figure 10

Assembly Instructions 8/10

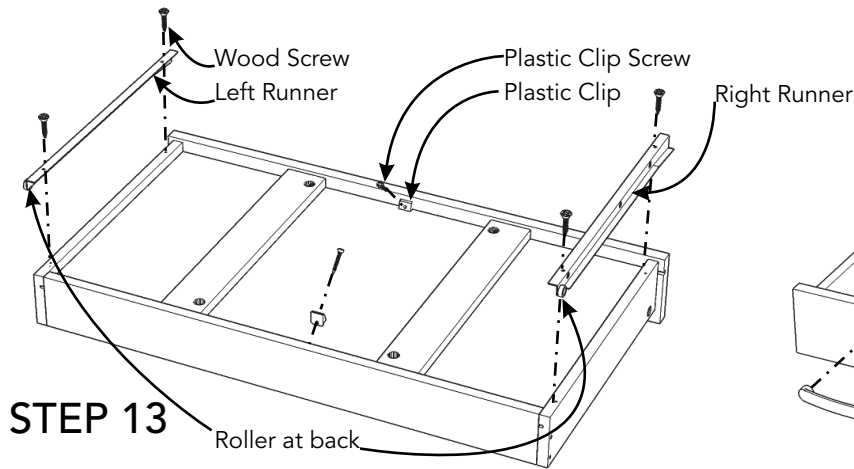
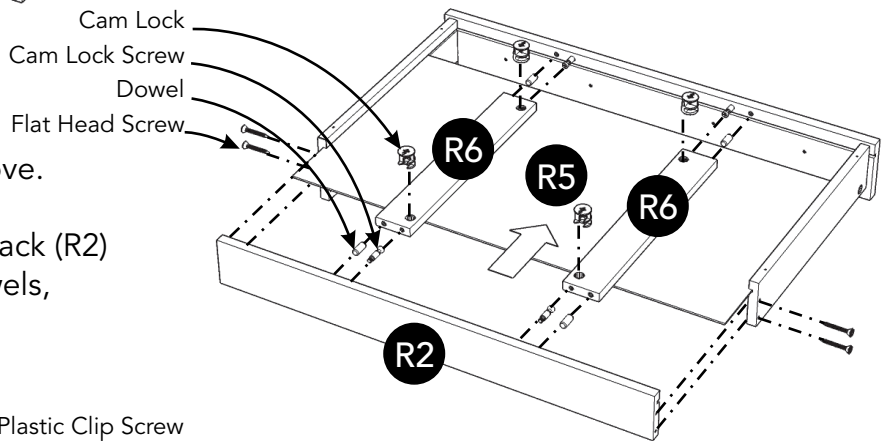
Drawer (R)



STEP 12

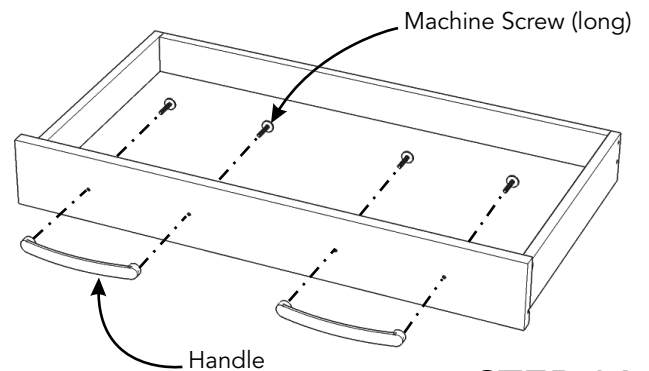
Slide Drawer Bottom (R5) into groove.

Attach Supports (R6) and Drawer Back (R2) to unit with Cam Lock Screws, Dowels, Cam Locks and Flat Head Screws.



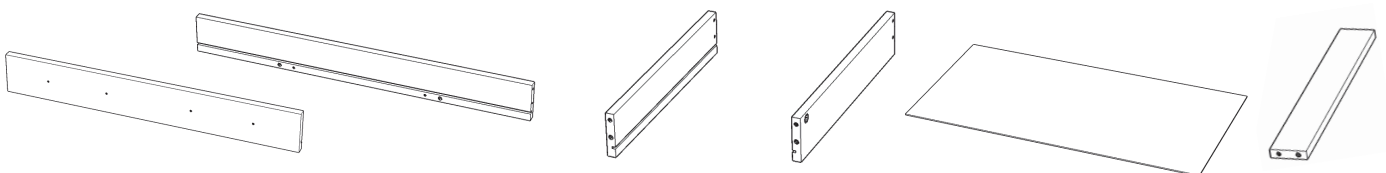
Attach Left Runner and Right Runner to unit with Wood Screws.

Attach Plastic Clips to unit with Plastic Clip Screws.



Attach Handles with Machine Screws (long).

Part List



R1.
Drawer Front
1 pc.

R2.
Drawer Back
1 pc.

R3.
Drawer Side
1 pc.

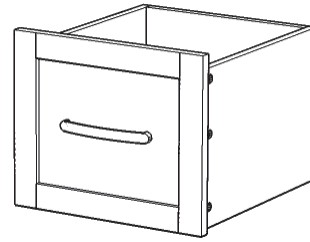
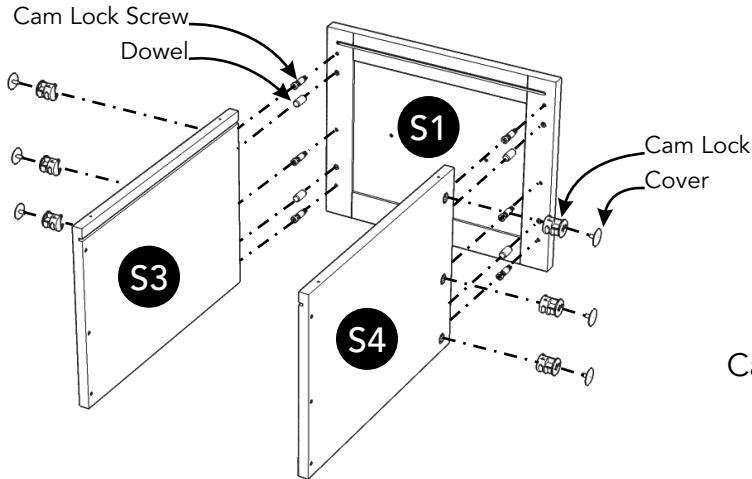
R4.
Drawer Side
1 pc.

R5.
Drawer Bottom
1 pc.

R6.
Support
2 pcs.

Assembly Instructions 9/10

Drawer (S)



STEP 15

Attach Drawer Sides (S3) and (S4) to Drawer Front (S1) with Cam Lock Screws, Dowels and Cam Locks.

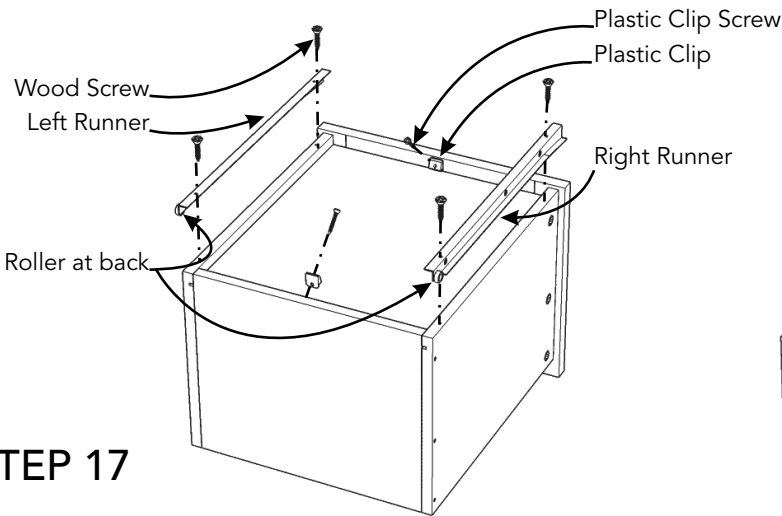
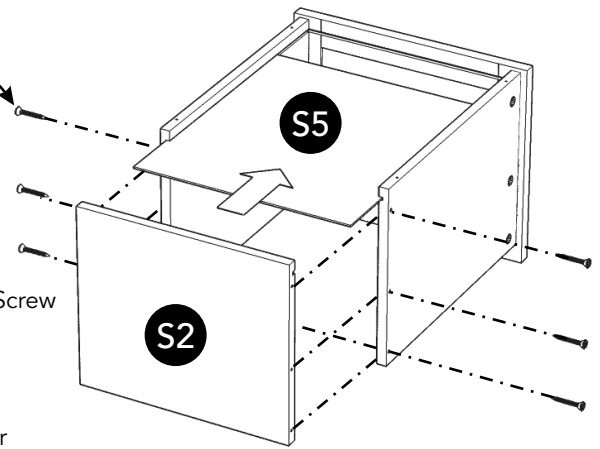
Cover Cam Locks with Covers.

STEP 16

Slide Drawer Bottom (S5) into groove.

Attach Drawer Back (S2) to unit with Flat Head Screws.

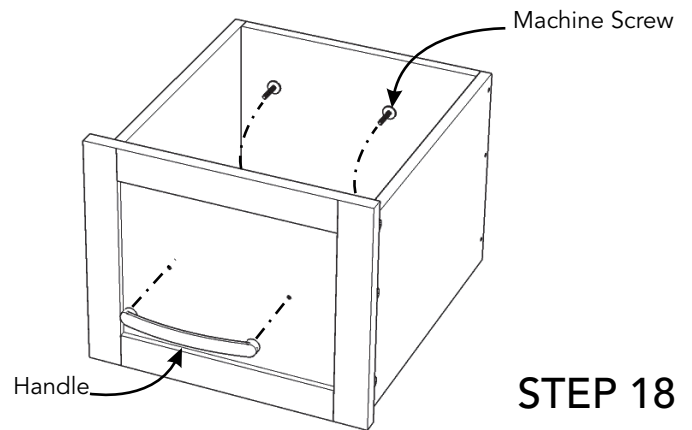
Flat Head Screw



STEP 17

Attach Left Runner and Right Runner to unit with Wood Screws.

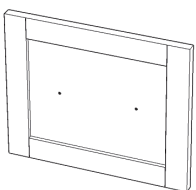
Attach Plastic Clips to unit with Plastic Clip Screws.



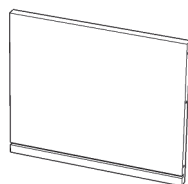
STEP 18

Attach Handle with Machine Screws.

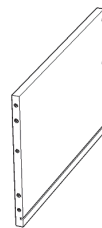
Part List



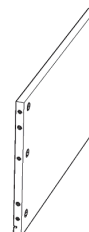
S1.
Drawer Front
2 pcs.



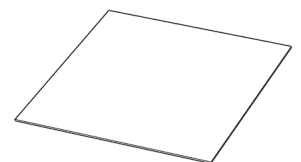
S2.
Drawer Back
2 pcs.



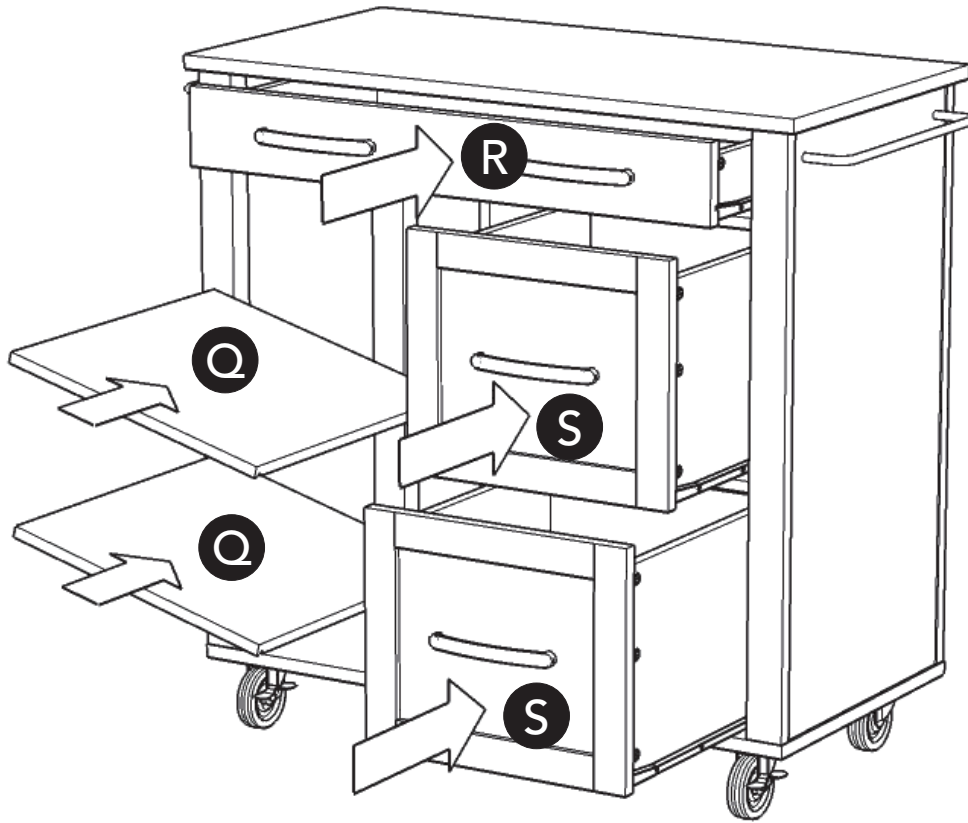
S3.
Drawer Side
2 pcs.



S4.
Drawer Side
2 pcs.



S5.
Drawer Bottom
2 pcs.



STEP 19

Place Shelves (Q) into position.

Slide Drawers (R) and (S) into position.

CARE INSTRUCTIONS

NEVER

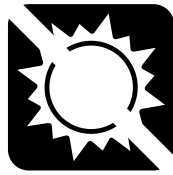
allow liquids to remain on furniture.
Absorption causes parts to warp
and split and finishes to delaminate.

NEVER

use glass cleaners on
finished furniture. Ammonia
chemically attacks the finish.



Do not use power tools
above 8 volts to assemble.
**PREVENT
CRACKING**



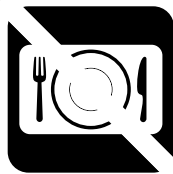
Do not place
in direct sunlight.
**PREVENT
FADING**



Do not write
directly on surface.
**PREVENT
MARKING**



Do not place hot
objects on surface.
**PREVENT
FINISH DAMAGE**



Do not use rubber
based placemats.
**PREVENT
DISCOLORING**



Do not use commercial
waxes and polishes.
**PREVENT
YELLOWING**

CLEAN

with a soft cloth moistened
in lukewarm soap and water.
Buff with a dry clean cloth.



Home Styles will provide replacements free of charge for missing or damaged hardware or parts within 30 days of purchase. Digital images of the defective parts may be required. If the product was not purchased from an authorized retail affiliate, Home Styles is under no obligation to provide replacement parts. Parts are not available for fully assembled items nor are parts available for sale. Replacements for missing or damaged hardware or parts may be requested at:

www.homestyles-furniture.com/customer-service/replacement-parts

Home Styles Customer Service: www.homestyles-furniture.com,
servicedesk@homestyles-furniture.com, 888-680-7460, 877-831-0319