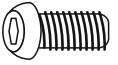
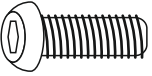



Assembly Instructions

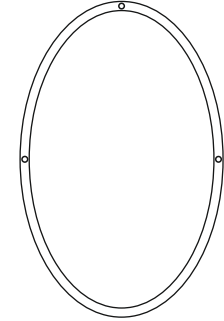
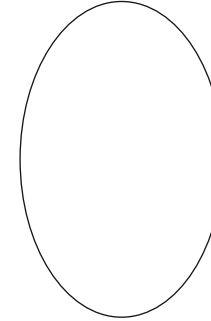
Natalli Marble & Metal Oval C- Table

	Top Allen Screws- 3 Pcs
	Bottom Allen Screws- 3 Pcs
	Allen Key- 1 Pc

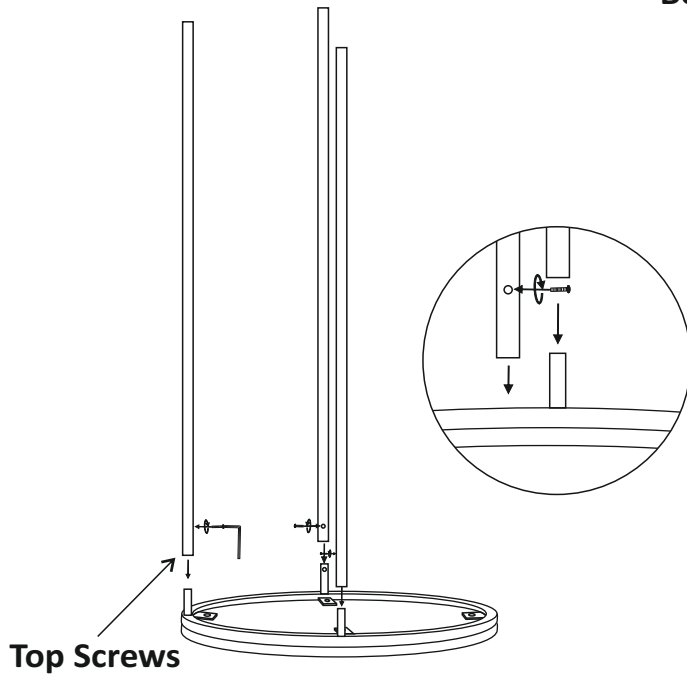
Pipe- 3 Pcs

Top Marble& Metal
Frame- 1 Pc

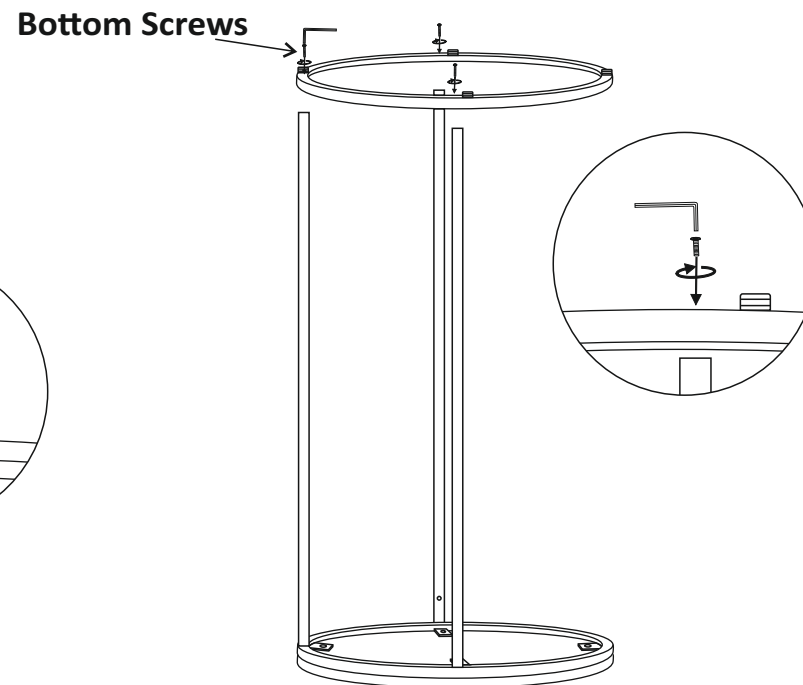
Bottom Frame- 1 Pc



Step-1



Step-2



Assembled

