

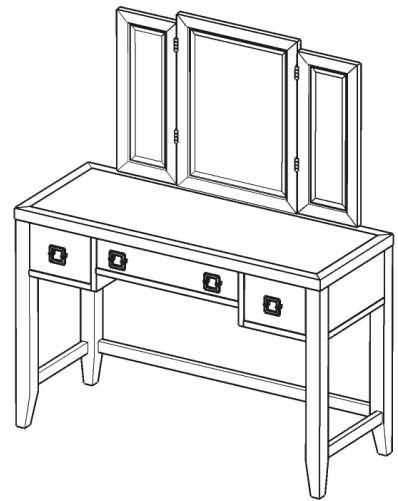
# Vanity with Mirror

## IMPORTANT

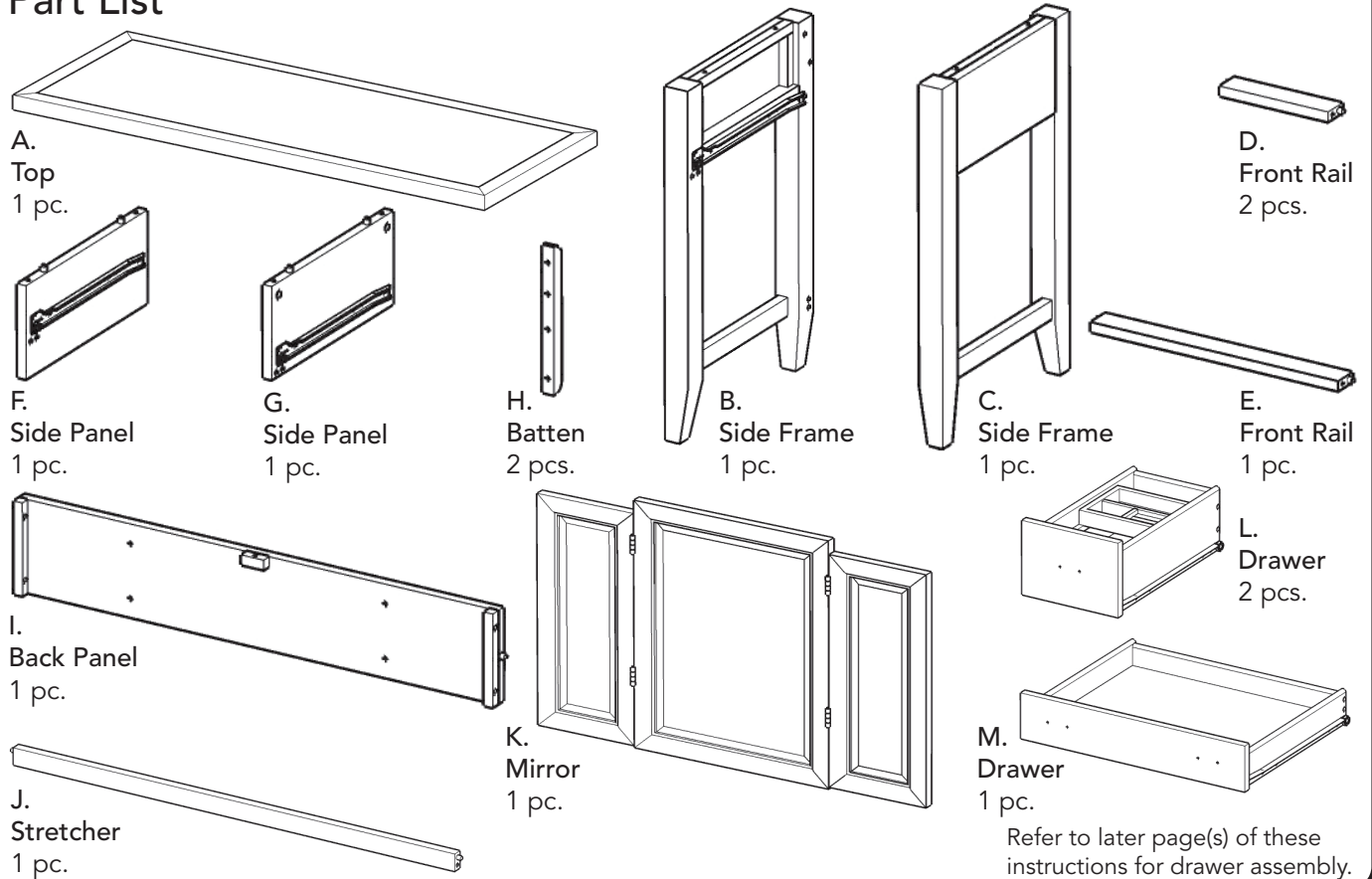
Carefully remove all the parts from the carton and place them individually on a soft cloth to prevent scratches or other damage.

Carefully and strictly follow these assembly instructions to ensure a completed product as designed.

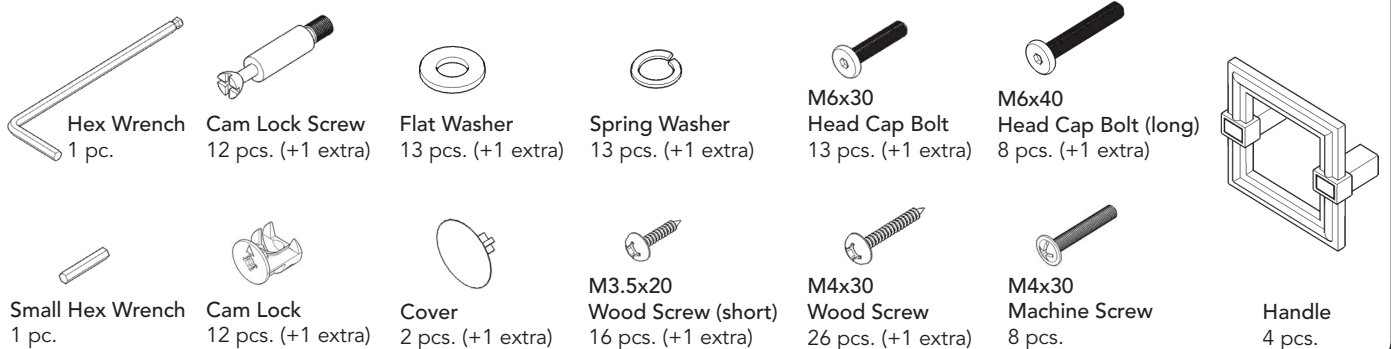
Do not use power tools above 8 volts to assemble.



## Part List



## Hardware List



Tool(s) required for assembly: Phillips screwdriver, Level, Drill (8 volts or less), 3/8" Drill Bit

## Assembly Instructions 2/8

### IMPORTANT

- Use a soft cloth between these parts and the floor.
- Do not use power tools above 8 volts to assemble.
- Do not tighten all the bolts until each part is properly assembled.
- The unit must be level to work properly. Use the included adjustable levelers to level.
- Keep Hex Wrench as the bolts may need to be tightened in the future.

### STEP 1

Place Top (A), Side Frames (B), (C), Side Panels (F) and (G) on a soft cloth.

Insert Cam Lock Screws into pre-drilled holes in Top (A) Side Frames (B, (C), Side Panels (F) and (G), then tighten.  
(See Figure 1)

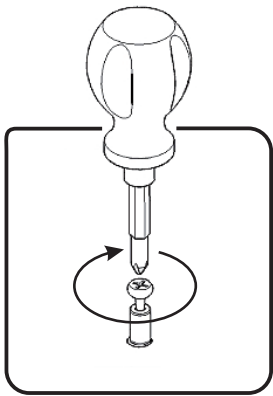
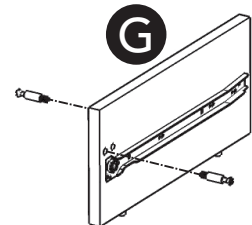
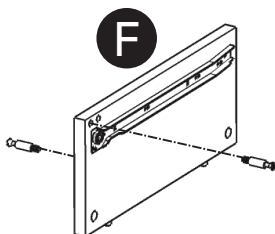
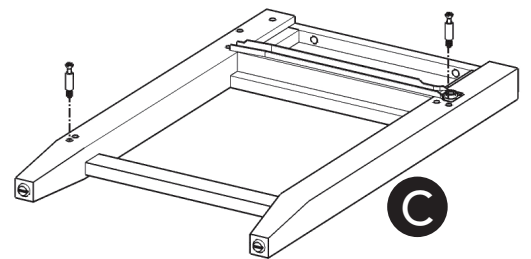
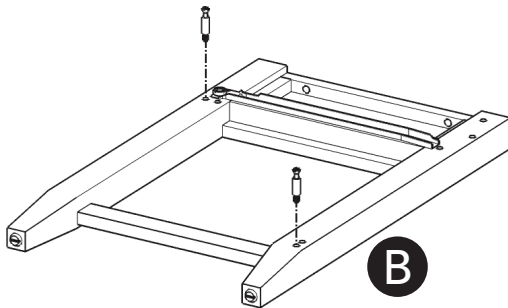
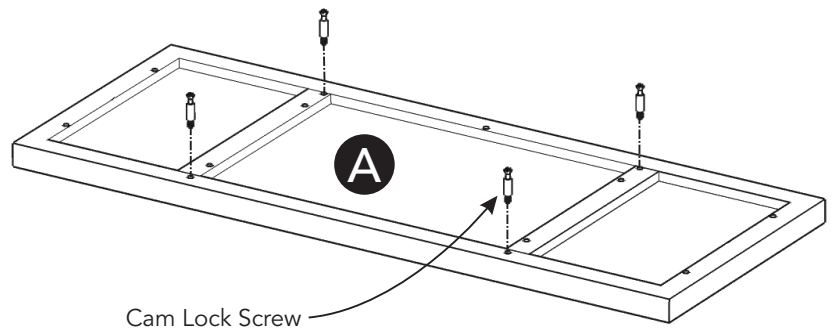


Figure 1



## Assembly Instructions 3/8

### STEP 2

Place Top (A) upside down on a soft cloth.

Attach Side Frame (F) to Top (A) with Cam Locks.  
(See Figure 2)

Attach Front Rain (E) to unit with Cam Locks.

Attach Side Frame (G) to unit with Cam Locks.

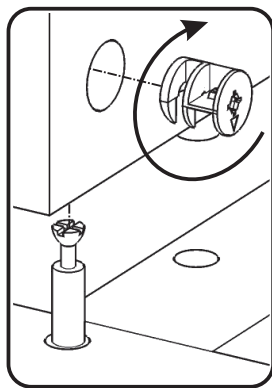
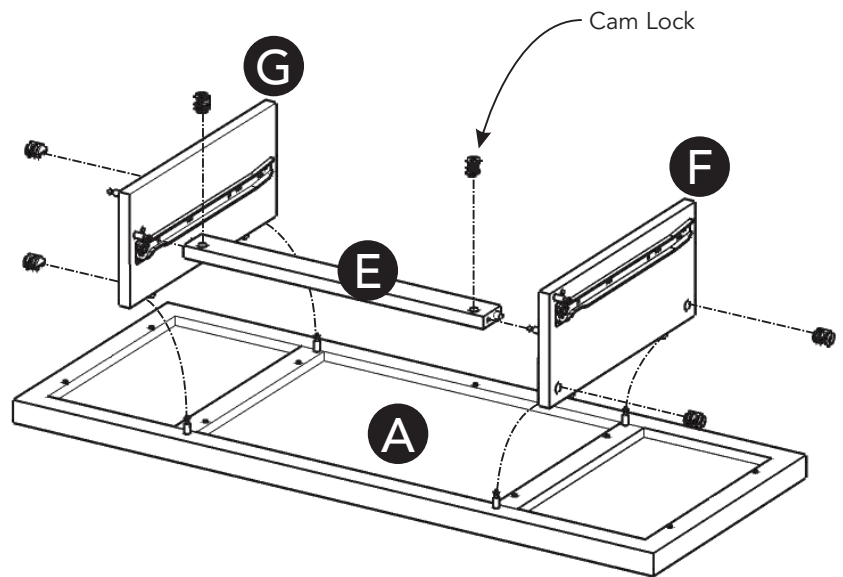


Figure 2

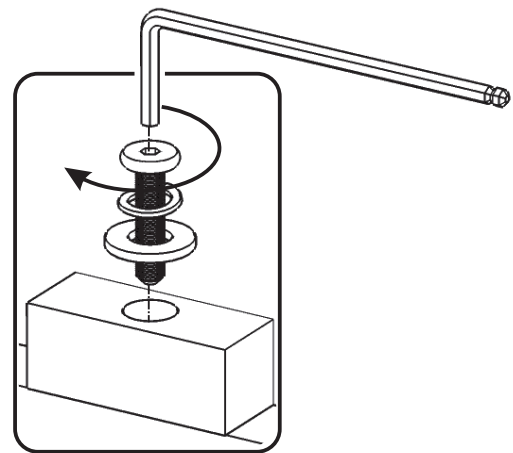
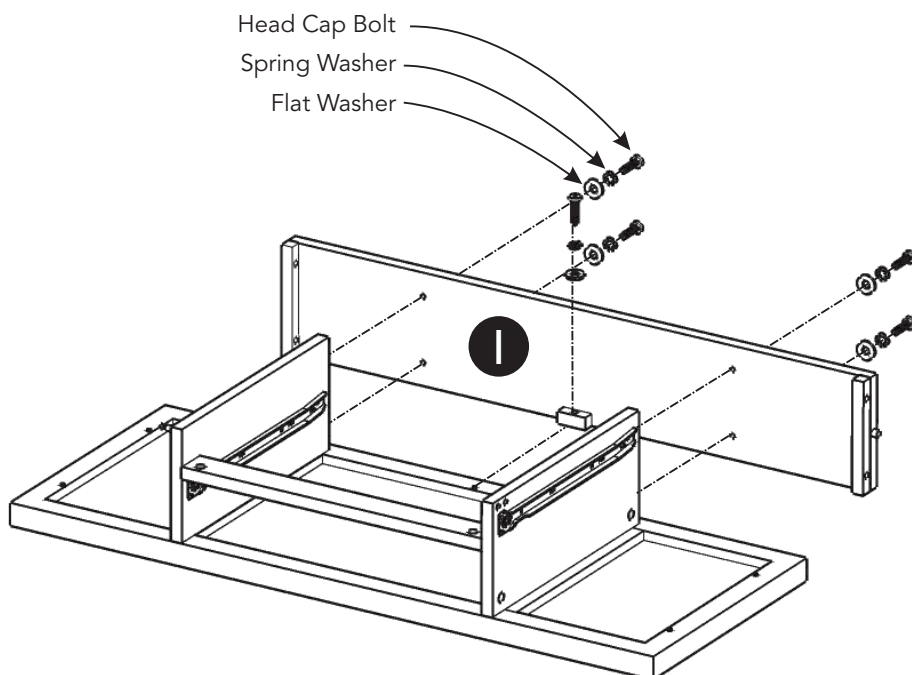


Figure 3



### STEP 3

Attach Back Panel (I) to unit with Flat Washer, Spring Washer and Head Cap Bolts, tightening bolt only halfway.  
(See Figure 3)

## Assembly Instructions 4/8

### STEP 4

Attach Front Rail (D) to unit with Cam Lock.

Attach Side Frame (C) to unit with Flat Washers, Spring Washers, Head Cap Bolts, and Cam Lock tightening bolts only halfway.

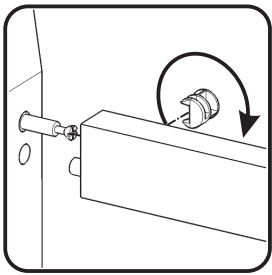
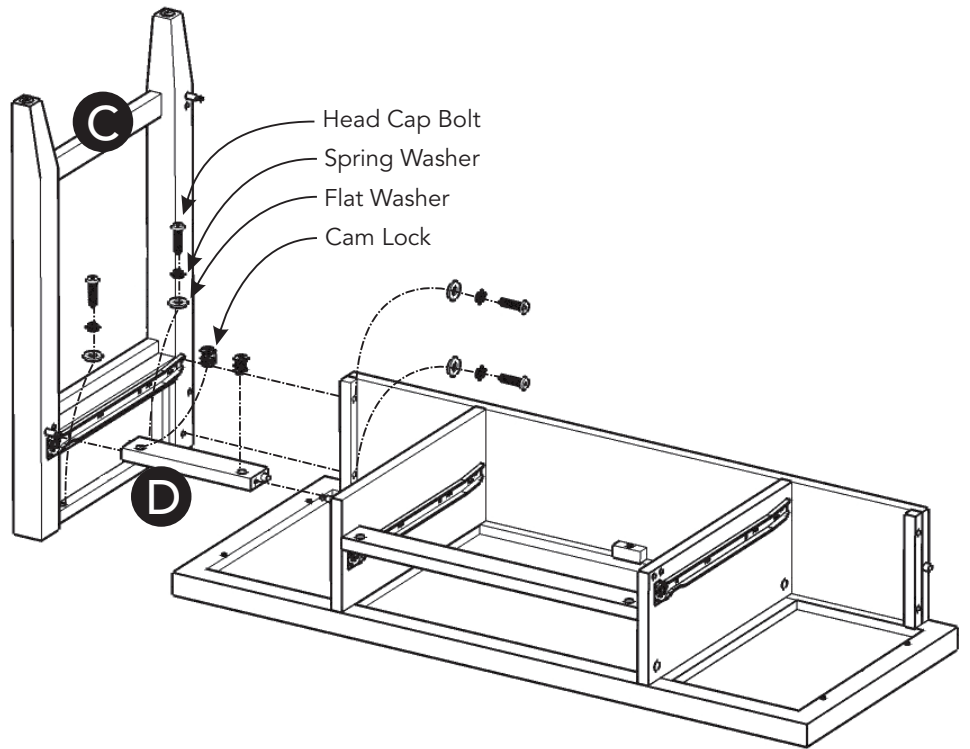


Figure 4

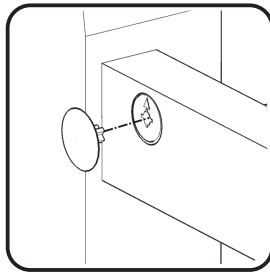


Figure 5

### STEP 5

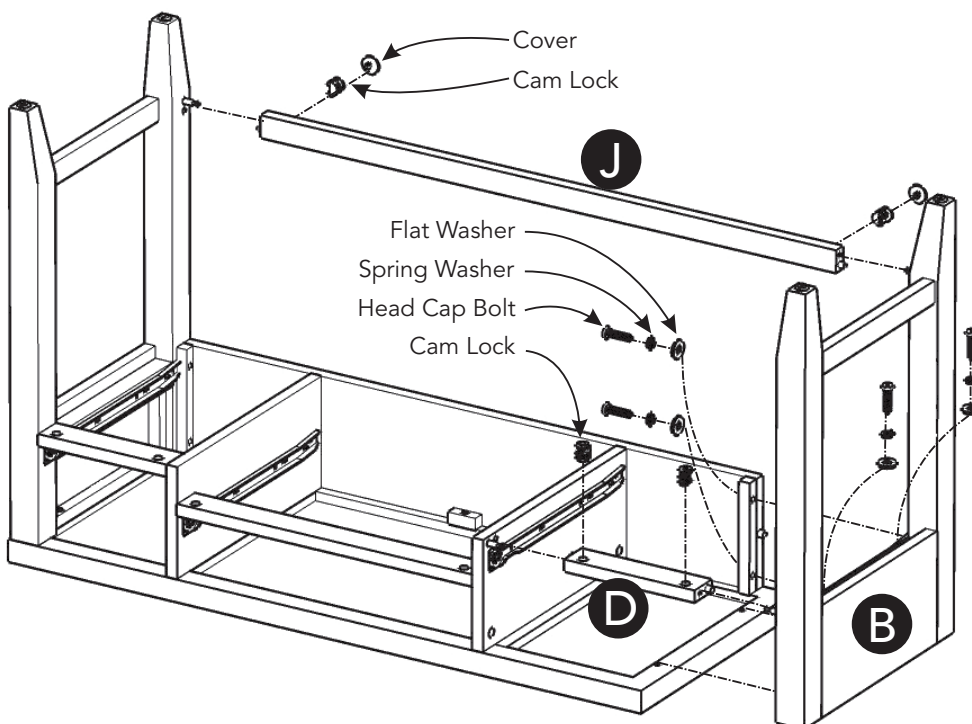
Attach Front Rail (D) to unit with Cam Lock.

Attach Stretcher (J) to unit with Cam Lock. (See Figure 4)

Attach Side Frame (B) to unit with Flat Washers, Spring Washers, Head Cap Bolts, and Cam Locks, tightening bolts only halfway.

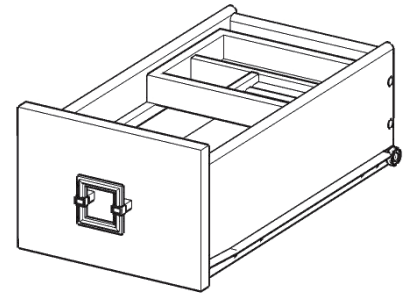
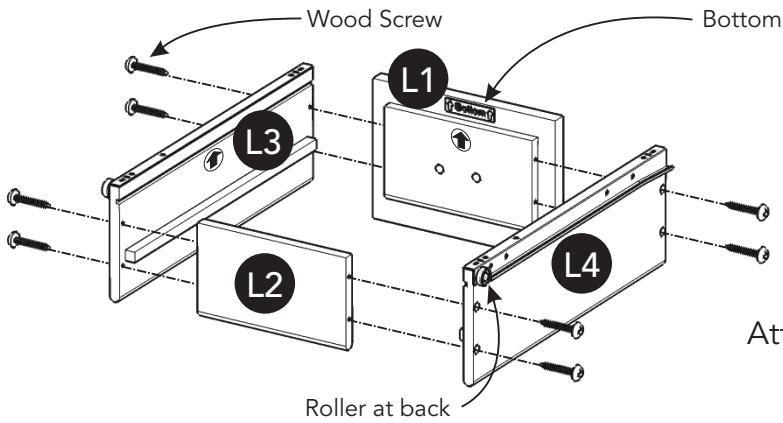
Cover Cam Locks with Covers. (See Figure 5)

Tighten all bolts used in Step 3, 4 and 5.



# Assembly Instructions 5/8

## Drawer (L)



### STEP 6

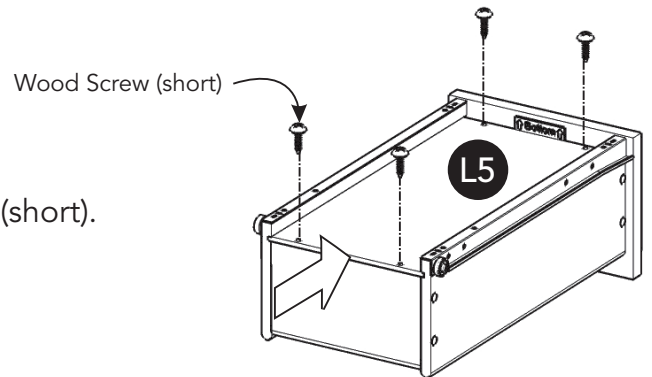
Attach Drawer Front (L1) and Drawer Back (L2) to Drawer Side (L3) with Wood Screws.

Attach Drawer Side (L4) to unit with Wood Screws.

### STEP 7

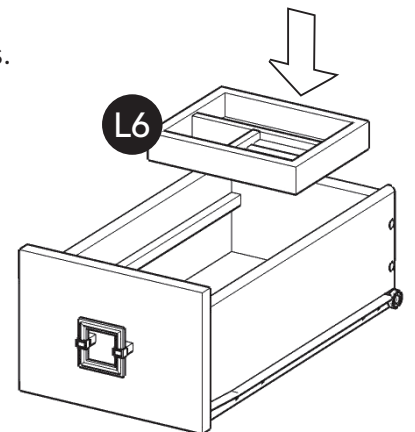
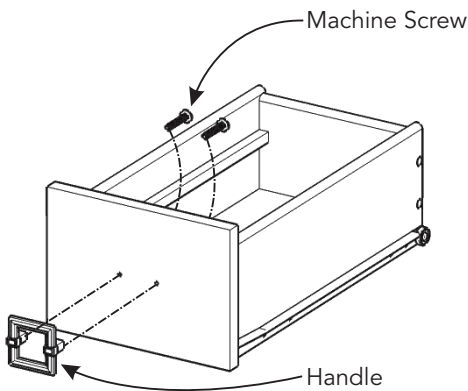
Slide Drawer Bottom (L5) into groove.

Attach Drawer Bottom (L5) to unit with Wood Screws (short).



### STEP 8

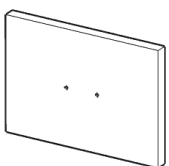
Attach Handle with Machine Screws.



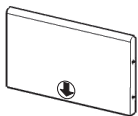
### STEP 9

Place Jewelry Box (L6) into position.

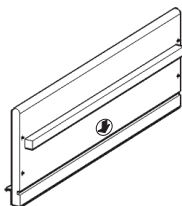
## Part List



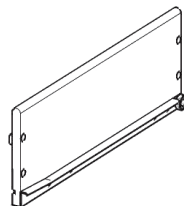
L1.  
Drawer Front  
2 pcs.



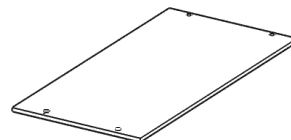
L2.  
Drawer Back  
2 pcs.



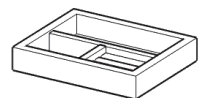
L3.  
Drawer Side  
2 pcs.



L4.  
Drawer Side  
2 pcs.



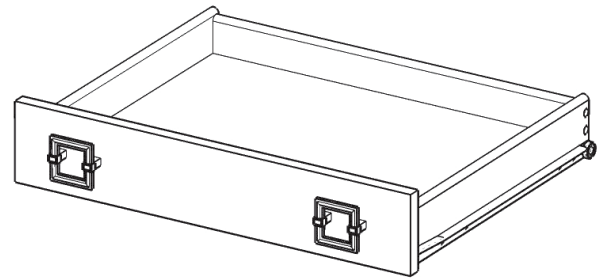
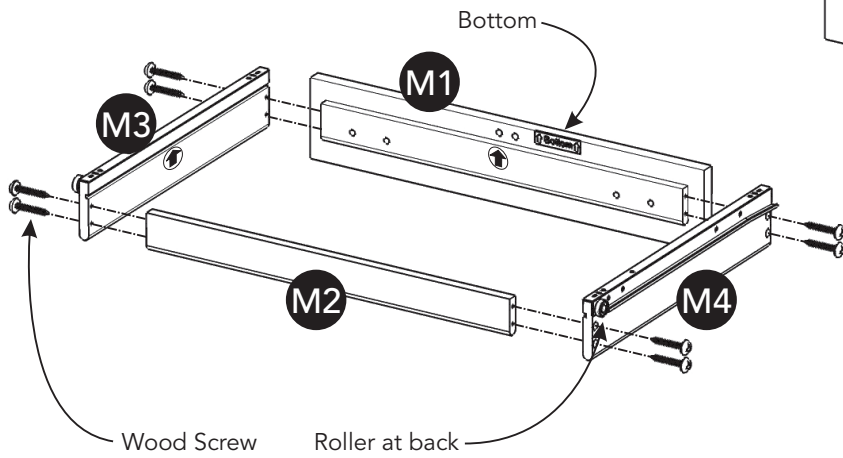
L5.  
Drawer Bottom  
2 pcs.



L6.  
Jewelry Box  
2 pcs.

# Assembly Instructions 6/8

## Drawer (M)



### STEP 10

Attach Drawer Front (M1) and Drawer Back (M2) to Drawer Side (M3) with Wood Screws.

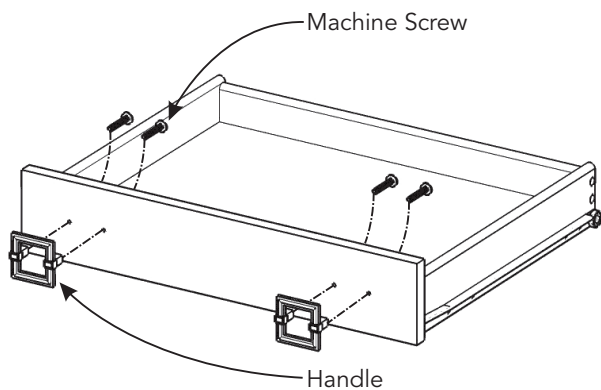
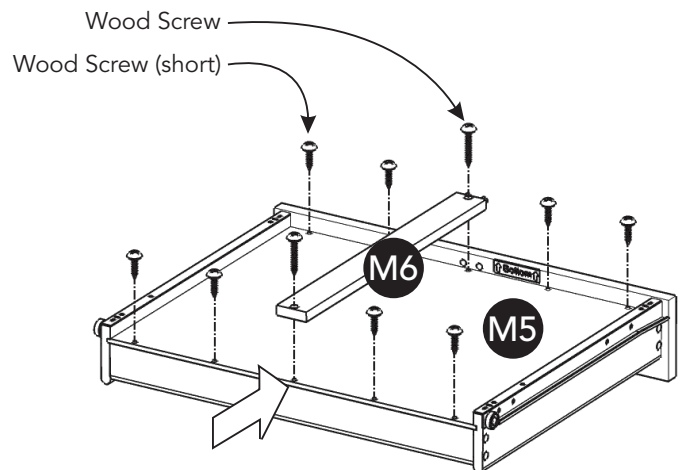
Attach Drawer Side (M4) to unit with Wood Screws.

### STEP 11

Slide Drawer Bottom (M5) into groove.

Attach Supports (M6) to unit with Wood Screws.

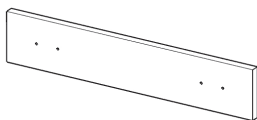
Attach Drawer Bottom (M5) to unit with Wood Screws (short).



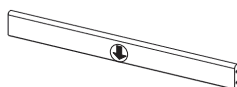
### STEP 12

Attach Handles with Machine Screws.

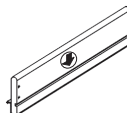
## Part List



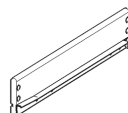
M1.  
Drawer Front  
1 pc.



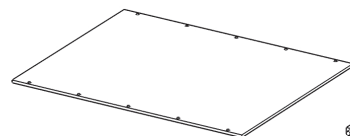
M2.  
Drawer Back  
1 pc.



M3.  
Drawer Side  
1 pc.



M4.  
Drawer Side  
1 pc.



M5.  
Drawer Bottom  
1 pc.



M6.  
Support  
1 pc.

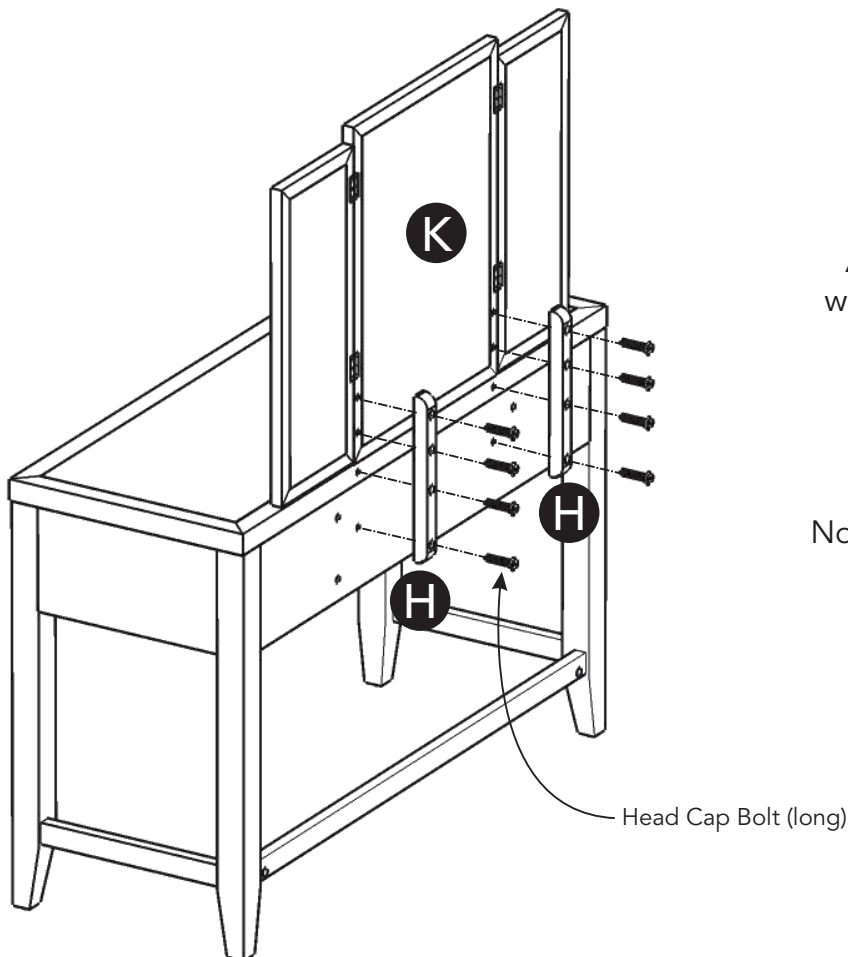
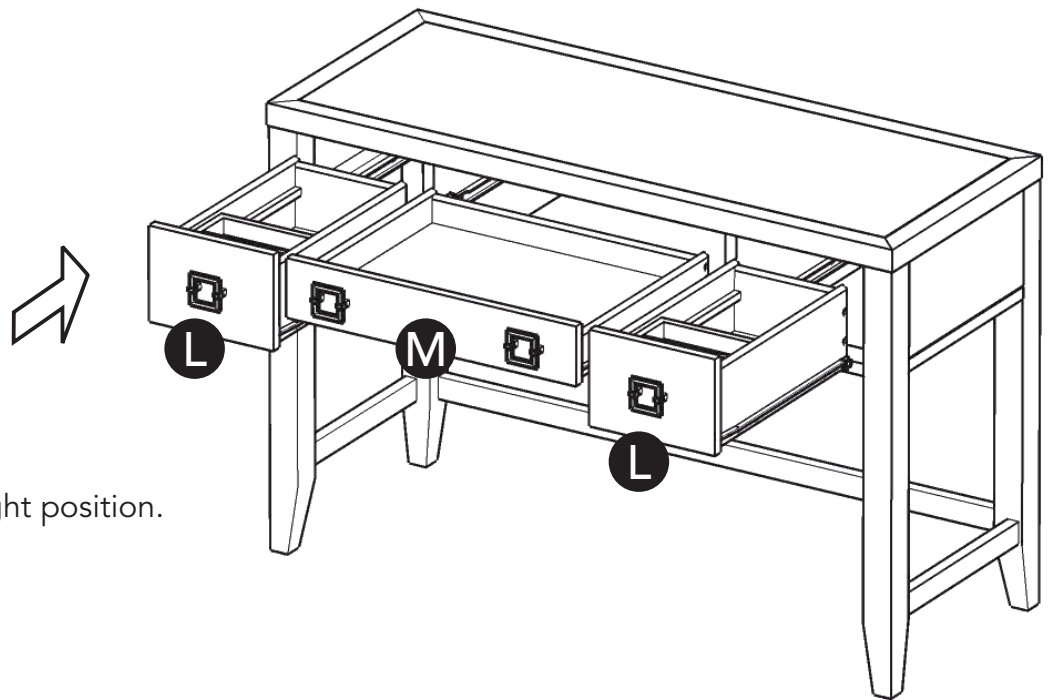


## Assembly Instructions 7/8

### STEP 13

Turn unit over to its upright position.

Slide Drawers (L) and (M) into position.



### STEP 14

Attach Batters (H) to Mirror (K) and unit with Head Cap Bolts (long), then tighten.

Level unit by adjusting the adjustable levelers on bottom of unit.  
(See Figure 6)

Note: Unit must be level to work properly.

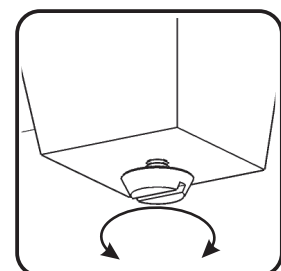


Figure 6

# Assembly Instructions 8/8

## IMPORTANT

- To help reduce the risk of the unit tipping over, the Tip-over Restraint must be installed following these instructions exactly.

## STEP 15

Place unit at desired location.

Drill a 3/8" hole in wall in-line with the pre-drilled hole at top of unit.

Move unit.

Insert Anchor into the wall hole and attach Bracket with Wall Screw.

Attach Bracket at pre-drilled hole at top of unit with Wood Screw.

Move unit back into place.

Slide Tip-over Restraint through Bracket on wall and Bracket on unit.  
(See Figure 7)

Put tie end of Tip-over Restraint into lock end of Tip-over Restraint and pull until tight.

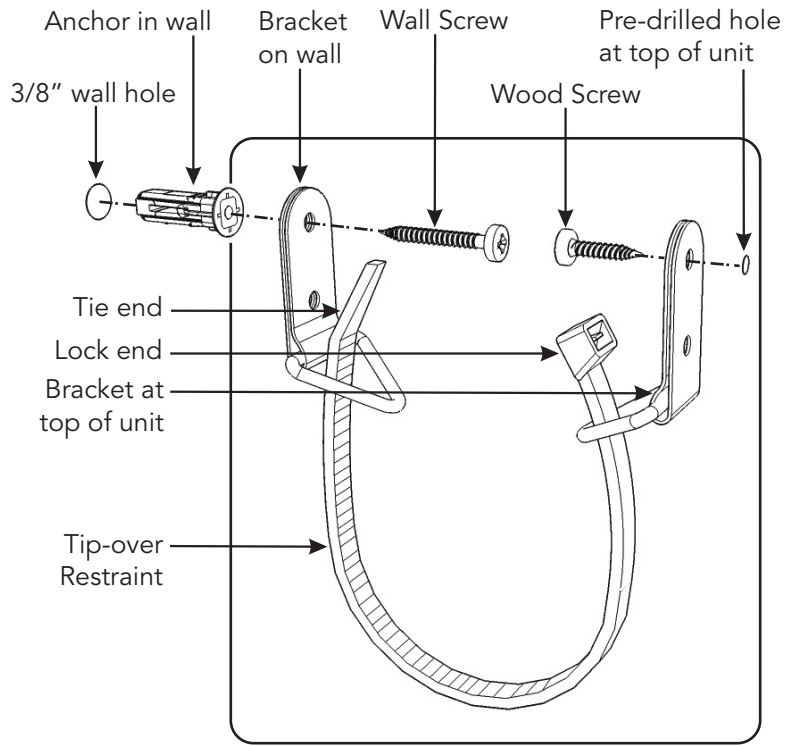
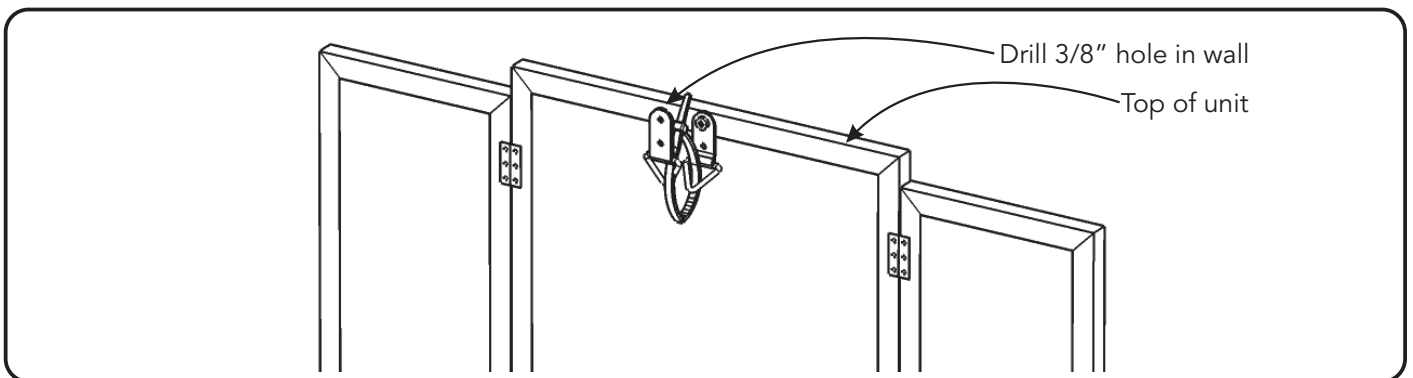
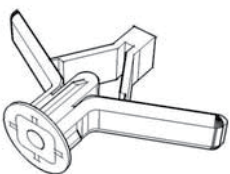


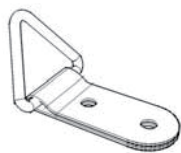
Figure 7



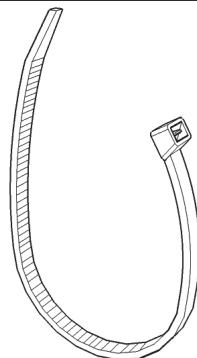
## Hardware List



Anchor  
1 pc. (+1 extra)



Bracket  
2 pcs. (+1 extra)



Tip-over Restraint  
1 pc. (+1 extra)



M3.5x40  
Wall Screw  
1 pc. (+1 extra)



M3.5x16  
Wood Screw  
1 pc. (+1 extra)



# CARE INSTRUCTIONS

## NEVER

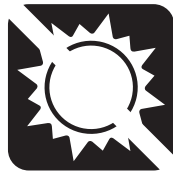
allow liquids to remain on furniture.  
Absorption causes parts to warp  
and split and finishes to delaminate.

## NEVER

use glass cleaners on  
finished furniture. Ammonia  
chemically attacks the finish.



Do not use power tools  
above 8 volts to assemble.  
**PREVENT  
CRACKING**



Do not place  
in direct sunlight.  
**PREVENT  
FADING**



Do not write  
directly on surface.  
**PREVENT  
MARKING**



Do not place hot  
objects on surface.  
**PREVENT  
FINISH DAMAGE**



Do not use rubber  
based placemats.  
**PREVENT  
DISCOLORING**



Do not use commercial  
waxes and polishes.  
**PREVENT  
YELLOWING**

## CLEAN

with a soft cloth moistened  
in lukewarm soap and water.  
Buff with a dry clean cloth.



Home Styles will provide replacements free of charge for missing or damaged hardware or parts within 30 days of purchase. Digital images of the defective parts may be required. If the product was not purchased from an authorized retail affiliate, Home Styles is under no obligation to provide replacement parts. Parts are not available for fully assembled items nor are parts available for sale. Replacements for missing or damaged hardware or parts may be requested at:

[www.homestyles-furniture.com/customer-service/replacement-parts](http://www.homestyles-furniture.com/customer-service/replacement-parts)

Home Styles Customer Service: [www.homestyles-furniture.com](http://www.homestyles-furniture.com),  
[servicedesk@homestyles-furniture.com](mailto:servicedesk@homestyles-furniture.com), 888-680-7460, 877-831-0319