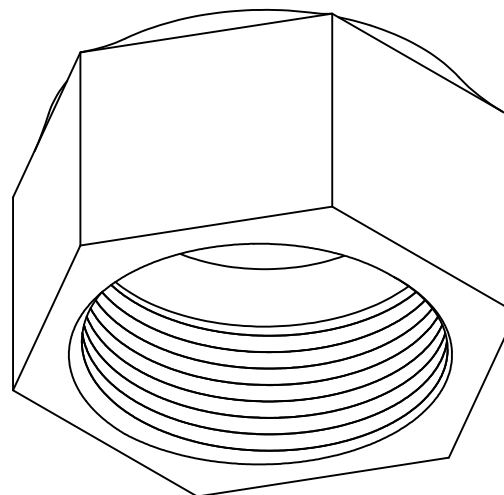
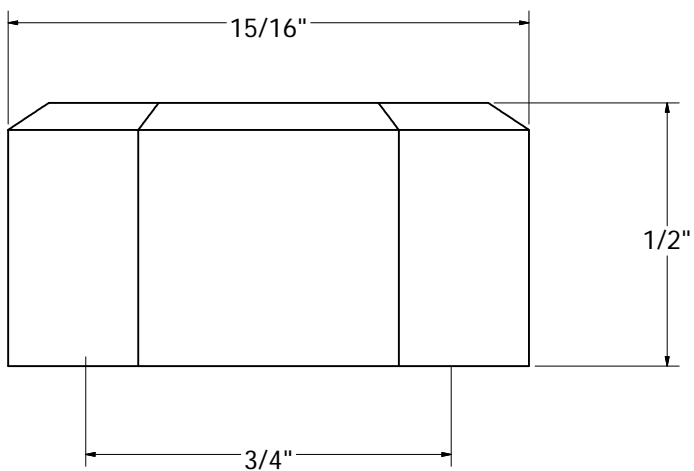
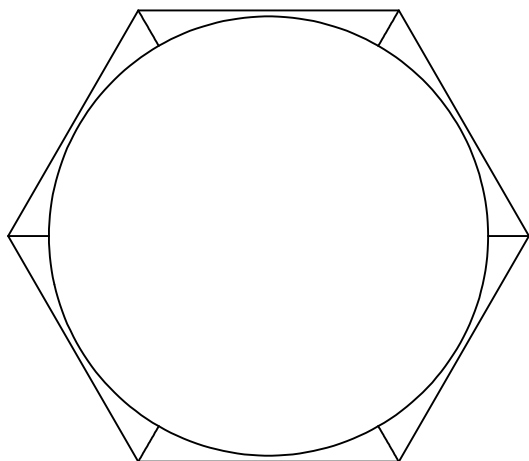


COMPRESSION CAP - LEAD FREE



PHONE NUMBER
1-800-355-6637
 FAX NUMBER
1-800-462-6991
 SCALE 5 : 1 DATE 10/28/14
 SHEET
1 OF 1
 DRAWN BY
ASHLEY KRALOVEC

PART NO.

C74155LF

TUBING SIZE

5/8"

CTN/MSTR

1