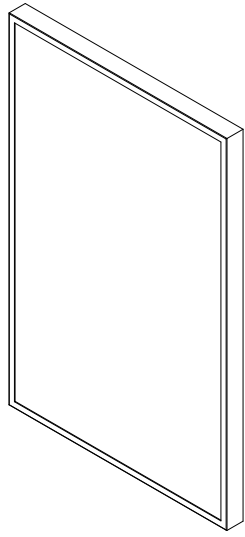
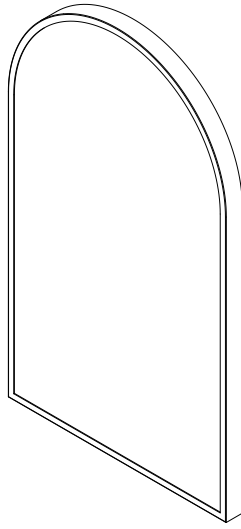


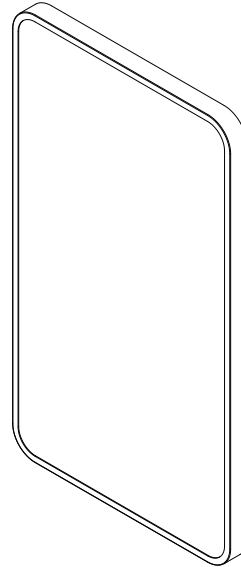
Industrial



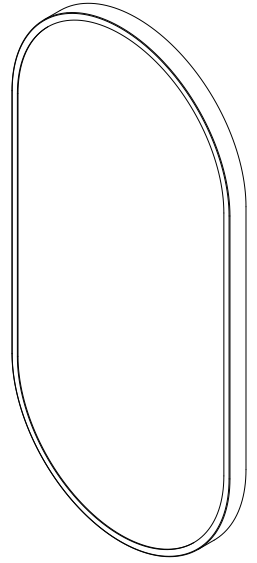
Thin Framed



Arch



Rounded Corner



Pill

CONTENT

Tools Needed - **2**

Parts - **2**

Notes - **2**

Prep the Wall - **3**

Mirror Installation - **5**

Use and Maintenance - **6**

Warranty - **6**

GENERAL INFORMATION

This instruction sheet contains information on how to install the Craft Series Mirror. This series comes in many sizes and styles. Please refer to the box or product label for the specific model number.

Save these instructions for future use and reference. An improper installation voids the warranty. Carefully inspect the mirror for damage. Installed products cannot be returned.

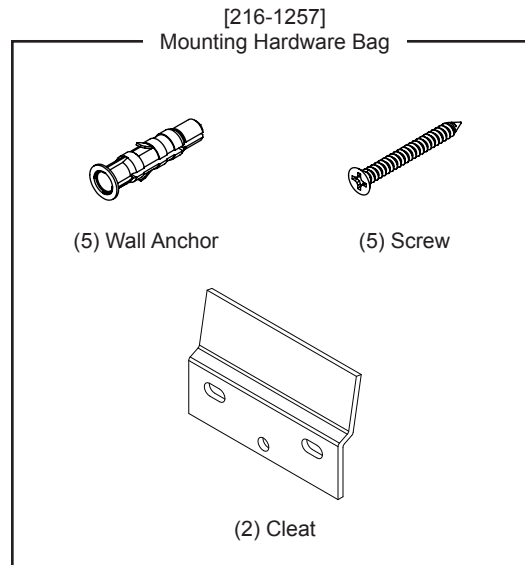
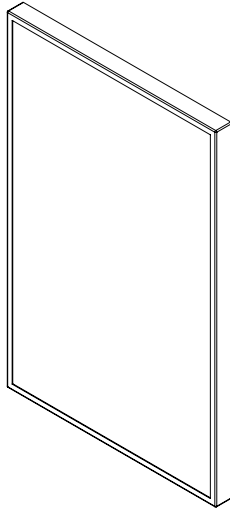
If you experience any problems with your wall mirror, contact your dealer or Robern directly.

Limited Warranty — One Year Term

TOOLS NEEDED



PARTS



NOTES

Unpack the mirror. Check the box thoroughly for all hardware and loose parts. Carefully inspect the mirror for damage.

This mirror is for indoor use only.

This installation may require more than one person.

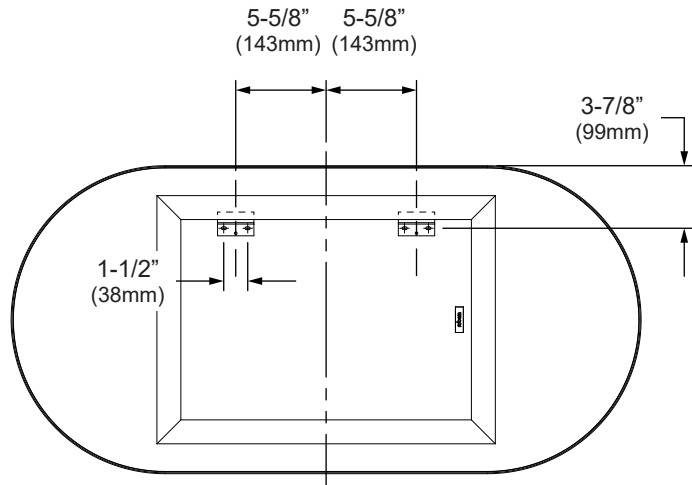
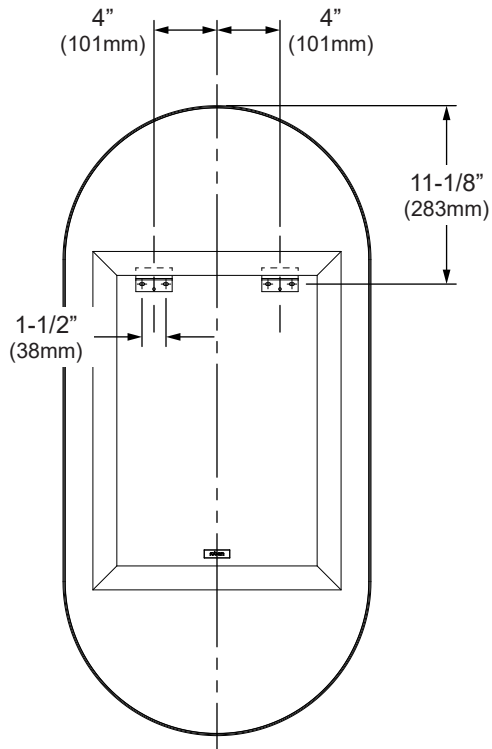
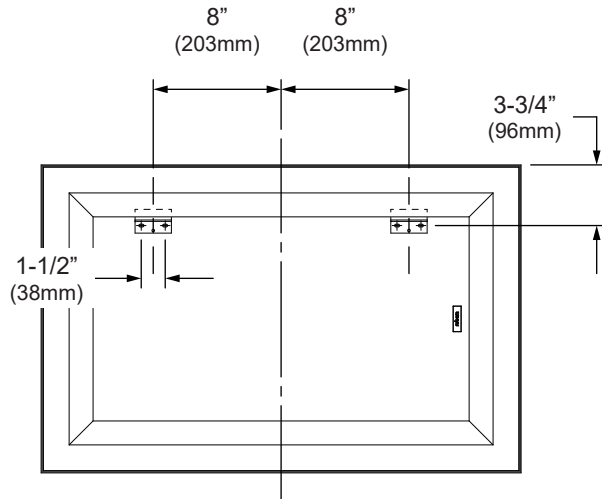
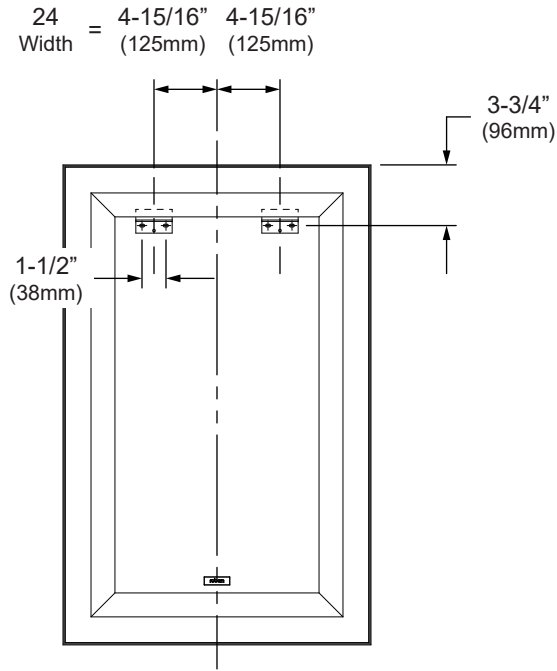
PREP THE WALL

The Industrial, Thin Frame, Rounded Corner, and Pill style mirrors can be mounted in a portrait or landscape orientation. Reference the views below for the appropriate cleat locations as determined by the mirror's orientation.

1. Mark a centerline and the hole locations for both cleats.

NOTE: The diagrams below are showing the view of the back side of the mirror.

20" Width = 4" (101mm) 4" (101mm)
 24" Width = 4-15/16" (125mm) 4-15/16" (125mm)

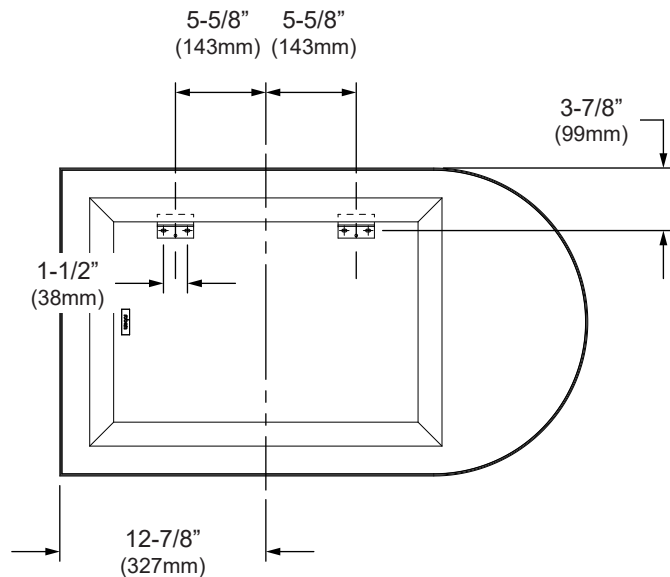
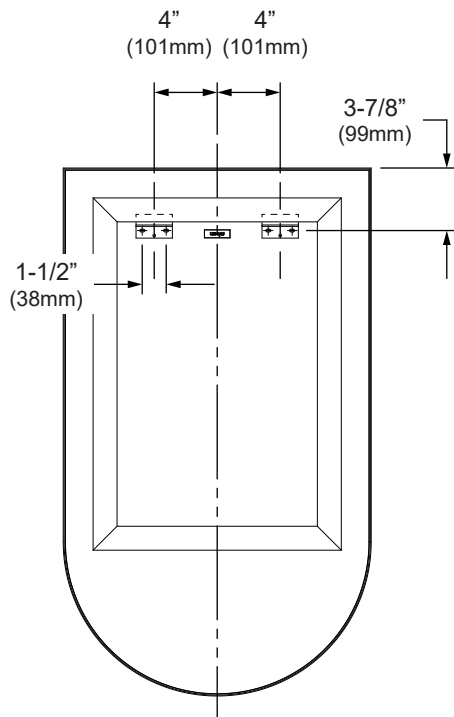
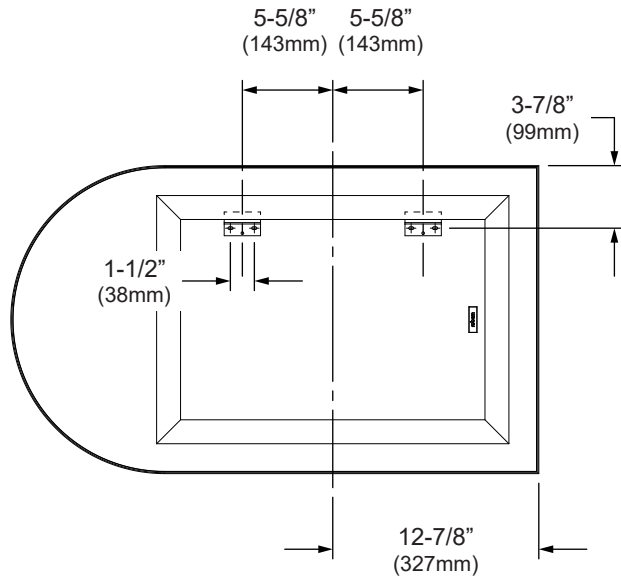
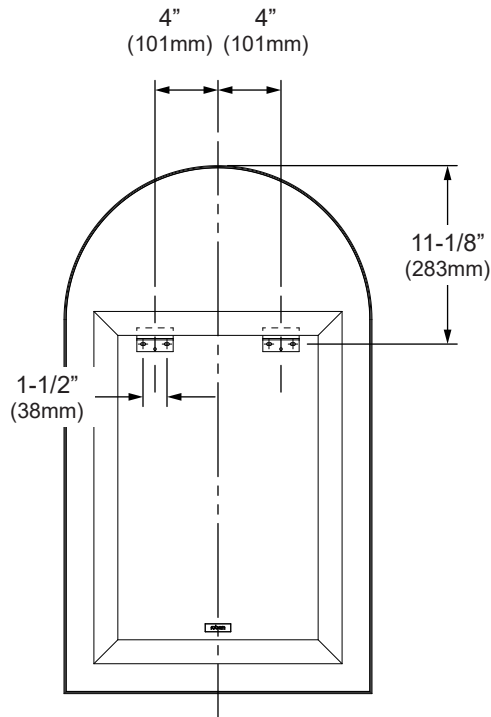


PREP THE WALL - ARCH

The Arch style mirror can be mounted in multiple orientations. Reference the views below for the appropriate cleat locations as determined by the mirror's orientation.

1. Mark a centerline and the hole locations for both cleats.

NOTE: The diagrams below are showing the view of the back side of the mirror.



PREP THE WALL

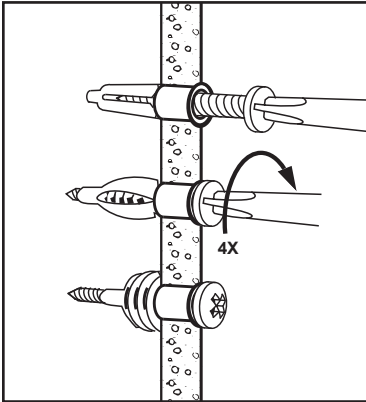
1. Locate the studs and drill four holes using a 3/32" drill bit.

NOTE: If no stud is available, drill a 1/4" hole for each wall anchor and use the supplied wall anchors.*

2. Attach the cleats to the wall using the screws provided, two per cleat.

3. Check the cleats for level and adjust as needed. Tighten the screws in place.

NOTE: When wall anchors are used, keep turning the screw at least four more times as shown.

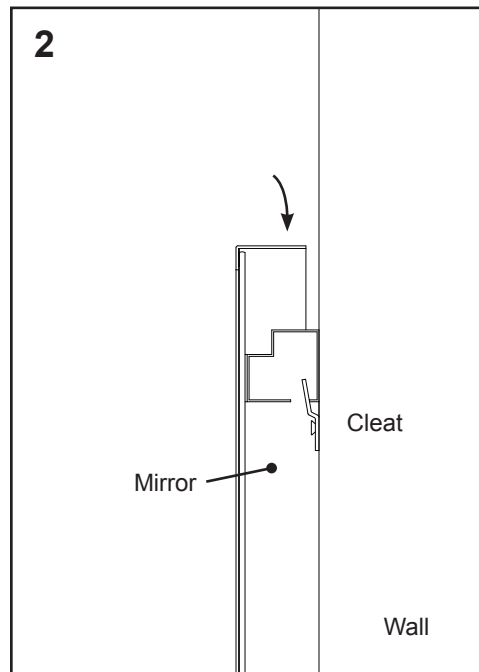
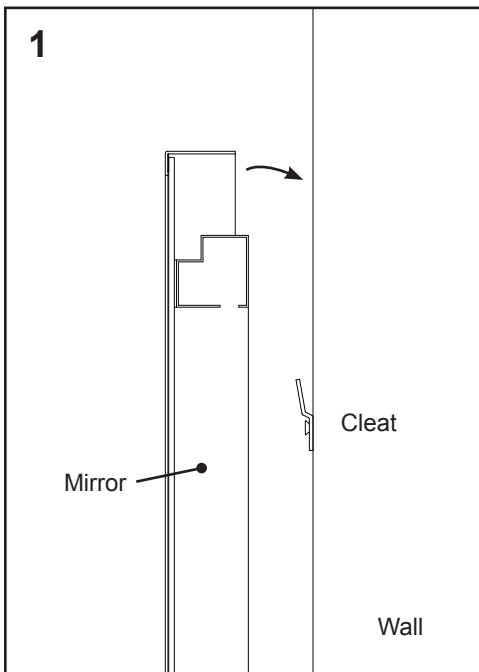


* Actual wall anchor many differ from type shown.

MIRROR INSTALLATION

1. Align the mirror to the marked centerline, holding the mirror against wall with the mounting slots above the mounted cleats.

2. Lower the mirror onto the cleats until fully engaged. Check for level, adjusting the cleats as needed.



USE AND MAINTENANCE

Use only a damp cloth to clean. Ammonia or vinegar-based cleaners can damage mirrors.

A 50/50 solution of water and isopropyl alcohol is recommended for cleaning the mirrors.

When cleaning, spray the cloth, not the mirror or surround surfaces. Do not use abrasive cleansers on any part of the mirror.



WARRANTY

Limited Warranty One Year Term

Robern warrants to the original purchaser that, it will, at its election repair, replace, or make appropriate adjustment to products made by this company shown to have significant defects in material or workmanship which are reported to Robern in writing within one (1) year from the date of delivery. Robern is not responsible for installation costs. The warranty is void in the event the product is damaged in transit, or if damage or failure is caused by abuse, misuse, abnormal usage, faulty installation, damage in an accident, improper maintenance, or any repairs other than those authorized by Robern. At the expiration of the one year warranty period, Robern shall be under no further obligation under any warranty, expressed or implied, including the implied warranty of merchantability. Robern shall not be liable for any consequential damages arising out of or in connection with the use or performance of its products. Some states do not allow limitations on how long an implied warranty lasts or do not allow the exclusion or limitation of incidental or consequential damages, so the above limitation or exclusion may not apply to you. Any liability against Robern under any implied warranty, including the warranty of merchantability, is expressly limited to the terms of this warranty. Permission to return any merchandise under this warranty must be authorized by Robern and returned prepaid by the purchaser. Claims under this warranty should be sent directly to your dealer.

©2022 Robern, Inc.

All rights reserved