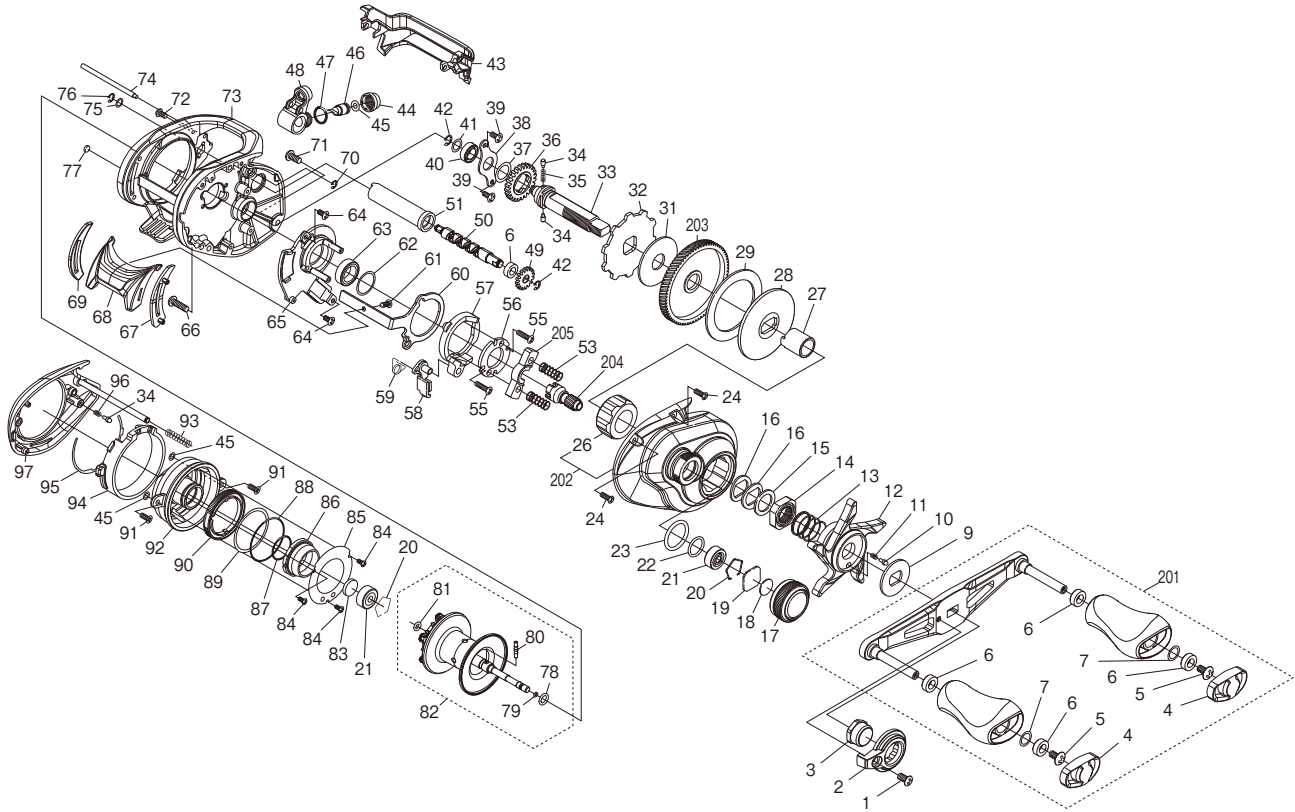


# SHIMANO

## SLX

## SLXXT150HGA



(51RL803A30X)

#	Part No.	Description	#	Part No.	Description	#	Part No.	Description
1	101VV	Screw	37	108WU	O Ring	72	100U4	Screw
2	10SSK	Handle Nut Plate	38	109T1	Drive Shaft Retainer	73	14749	Frame
3	10E67	Handle Nut	39	10E23	Screw	74	100UT	Stabilizer Bar
4	100NC	Handle Knob Seal	40	105BL	Ball Bearing	75	10FJZ	Washer
5	10LFA	Screw	41	10C47	Washer	76	105NC	E Lock
6	10PXZ	Bushing	42	105NK	E Lock	77	108PY	Washer
7	104FH	Washer	43	10E6W	Level Wind Protector	78	10TM7	O Ring
9	10J22	Star Drag Click Plate	44	10FJB	Pawl Cap	79	100BH	O Ring
10	10MFC	Click Pin	45	10CFU	Washer	80	10P67	Spool Clutch Pin
11	10BT2	Click Spring	46	10BHQ	Line Guide Pawl	81	10E27	O Ring
12	100HF	Star Drag	47	108WQ	O Ring	82	1474A	Spool Assembly
13	10A70	Star Drag Spring	48	10DUG	Line Guide Assembly	83	10EX5	Spacer
14	10A3T	Star Drag Nut	49	10SRL	Idle Gear	84	10E7R	Screw
15	10J1N	Star Drag Spacer	50	100U6	Worm Shaft	85	100HC	Brake Dial Retainer Plate
16	109F5	Drag Spring Washer	51	100UF	Level Wind Guard	86	10E6U	Brake Ring Gear
17	10050	Cast Control Cap	53	100U9	Yoke Spring	87	10LA8	O Ring
18	10896	Cast Control Spacer B	55	10LV0	Screw	88	10CG1	O Ring
19	1085F	Spool Tension Spacer A	56	100US	Clutch Cam Retainer	89	10RHW	Washer
20	1054D	Bearing Retainer	57	100UK	Clutch Cam	90	1000Y	Brake Dial
21	105C3	Ball Bearing	58	10MME	Clutch Pawl Assembly	91	100UL	Screw
22	101GT	O Ring	59	10R1H	Clutch Pawl Spring	92	14819	Dial Case
23	10R22	O Ring	60	100UG	Clutch Plate	93	10KNH	Spring
24	10LCY	Screw	61	10LF4	Screw	94	100NE	B Side Plate Cam Lever
26	10F5C	Roller Clutch Bearing	62	10190	Washer	95	100ND	Washer
27	100UC	Roller Clutch Inner Tube	63	10EX6	Ball Bearing	96	10GQZ	Click Spring
28	10D3H	Key Washer	64	10LCT	Screw	97	1481A	B Side Plate Assembly
29	10R3D	Drag Washer	65	10DUK	Clutch Guard Assembly	201	10E6B	Handle Assembly
31	10CHX	Drag Washer	66	100UV	Screw	202	1481B	A Side Plate Assembly
32	10D73	Anti-Reverse Ratchet	67	100MH	Clutch Bar Guide B	203	10CMC	Drive Gear
33	100UP	Drive Shaft	68	100ML	Clutch Button	204	10CSC	Pinion Gear
34	10HJF	Idle Gear Pin	69	100MW	Clutch Bar Guide A	205	10S8M	Yoke
35	10JDY	Idle Gear Spring	70	105NB	E Lock			
36	101K8	Idle Gear A	71	100UU	Screw			

Please note that the number of adjusting washers may not be the same as shown in the exploded views.  
(Adjustment will vary with each individual product.)

(240222)\_001