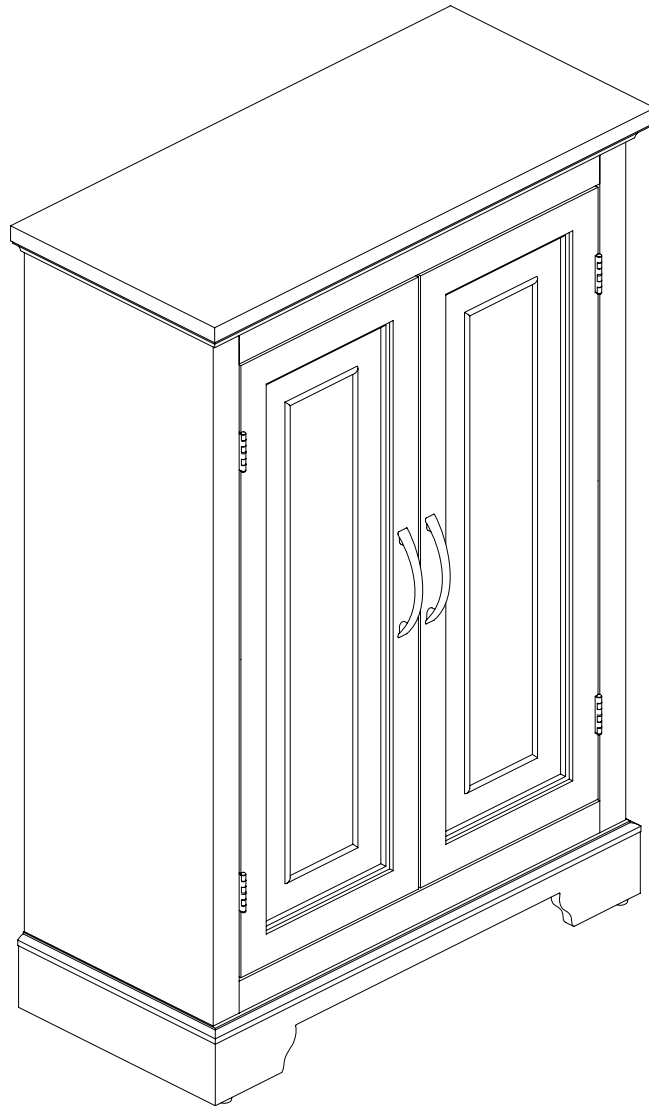
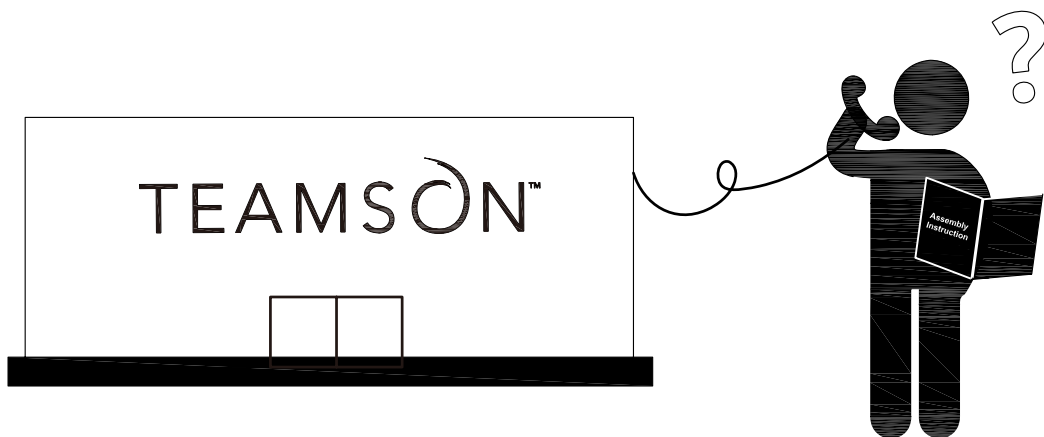
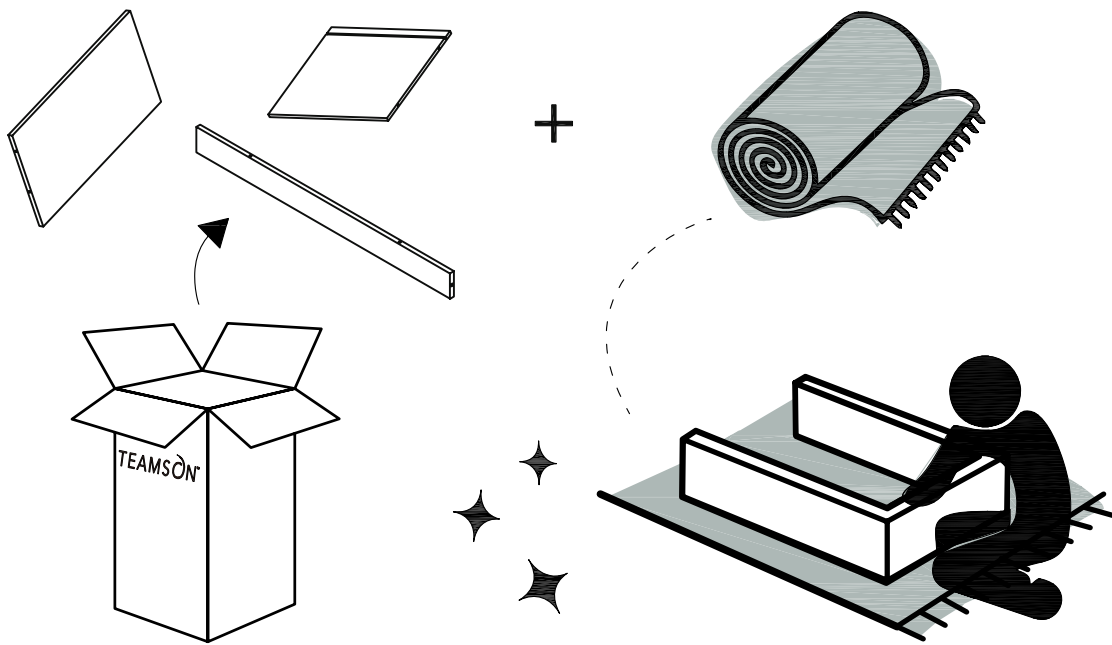
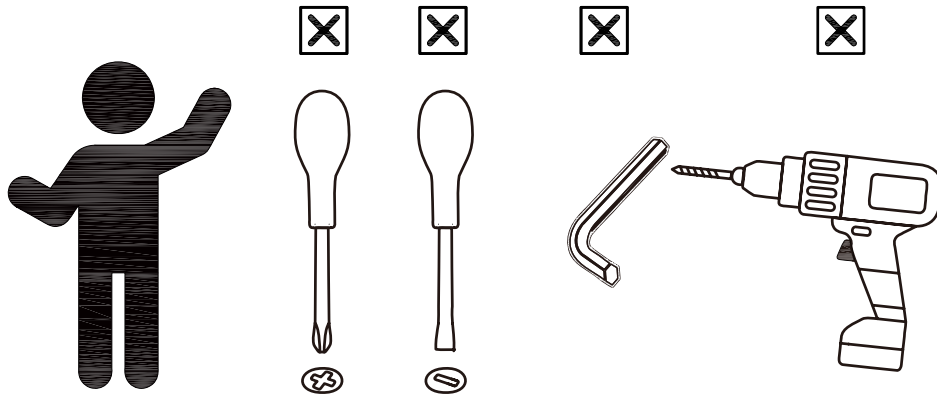


Elegant Home Fashions
Floor Cabinet 2 Door

ELG-591





** Got questions? Please have your product code (on the first page of this instruction, e.g. TD-12345A) and the order number ready, give us a call or email us through our customer care support! We are always ready to assist you!



Warranty sign up

www.teamsonhome.com

Serving you well gives us great joy!

USA +1(770)-246-4898

Mon - Fri 9:00am ~ 5:00pm EST

 service@eleganthf.net

EU +44(0)1952-916-050

Mon - Thu 9:00am ~ 5:00pm GMT

Friday 9:00am ~ 4:00pm GMT

 support@teamson.co.uk

ASSEMBLY INSTRUCTIONS-IMPORTANT

Carefully unpack & identify each component before attempting to assemble. Refer to parts list. Please take care when assembling the unit and always set the parts on a clean, soft surface. If you require any assistance with assembly, parts, please call the company you place order with or please email to: service@eleganthf.net

INSTRUCCIONES PARA ARMAR-IMPORANT:

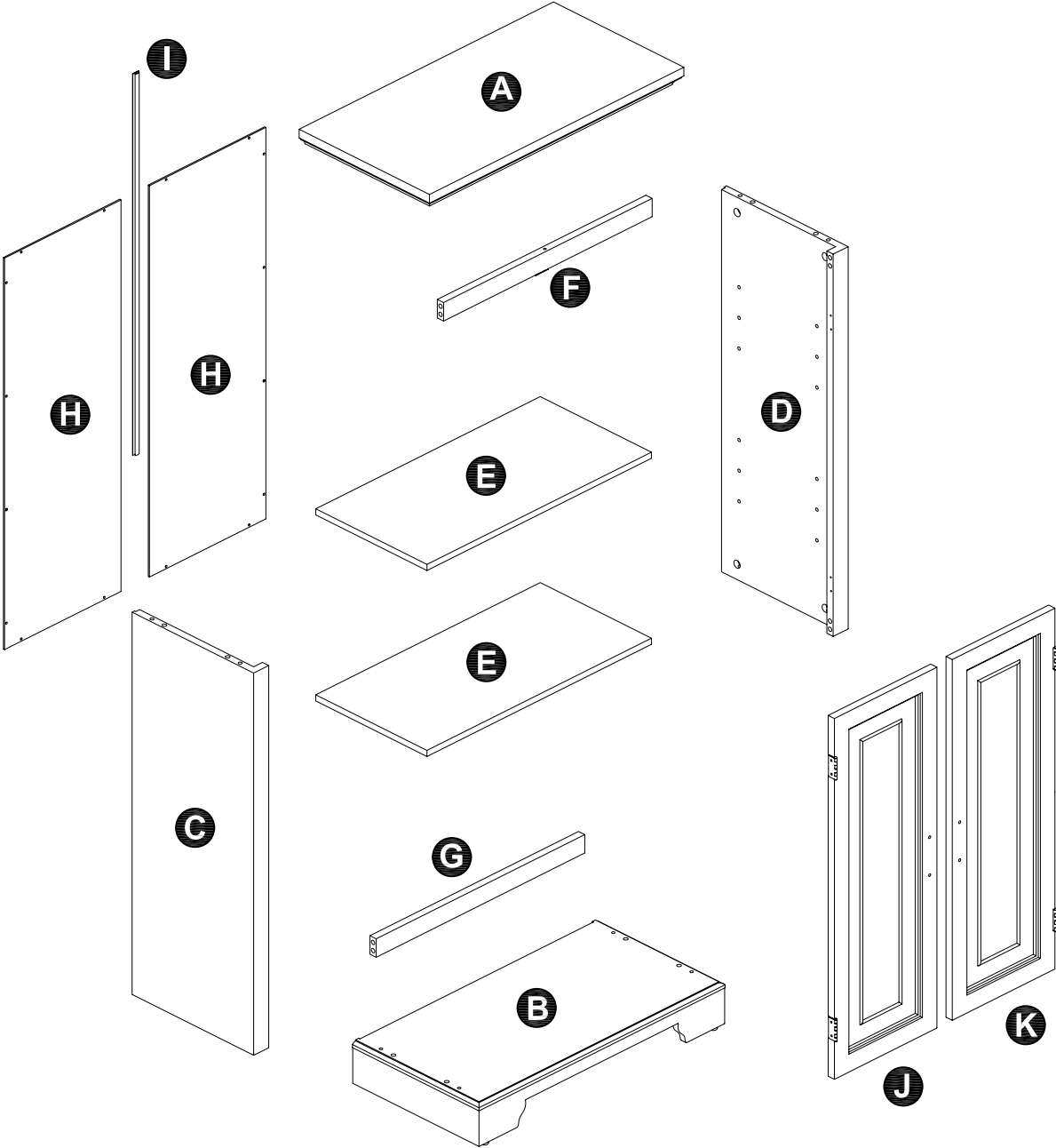
Desempaque cuidadosamente e identifique cada componente antes de tartar de empezar su ensambladura. Verifique la lista de partes. Por favor tenga cuidado cuando arme la unidad y siempre coloque las piezas sobre una superficie plana, suave y limpia. Si necesita ayuda con el armado, envíe un correo electzórico a service@eleganthf.net

DIRECTIVES DE MONTAGE-IMPORTANT:

Avant de commencer l' assemblage, déballez délicatement toutes les pièces et repérez-les sur la liste des pièces. Procédez avec soins durant l' assemblage et posez toujours les pièces sur une surface proper, douce et lisse. sie vouo plait e-mail á service@eleganthf.net

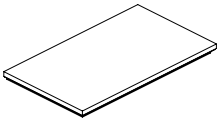
Thank you for choosing Teamson Home

Exploded Drawing

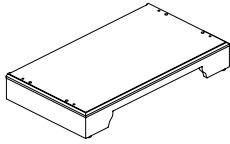


Product Parts

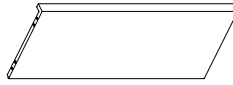
A



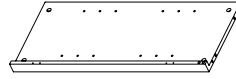
B



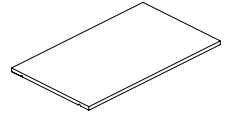
C



D

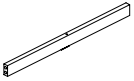


E



2 pcs

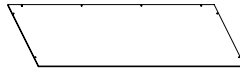
F



G



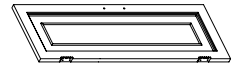
H



I

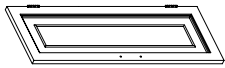


J



2 pcs

K



WARNING:

1. Do not let any sharp objects touch or rub the surface of the product.
2. When assembling, do not let children play around the working area.
3. Please confirm all parts are correct before starting the assembly process.
4. Do not tighten all bolts and screws completely until the entire unit has been assembled and set up.

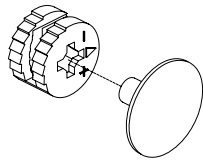
Hardware

1



8 pcs

2



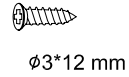
8 sets

3



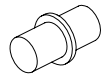
16 pcs

4



8 pcs

5



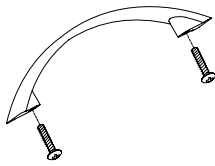
8 pcs

6



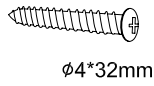
16 pcs

7

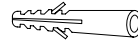


2 sets

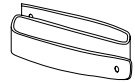
8



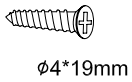
9



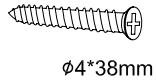
10



11



12


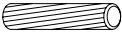


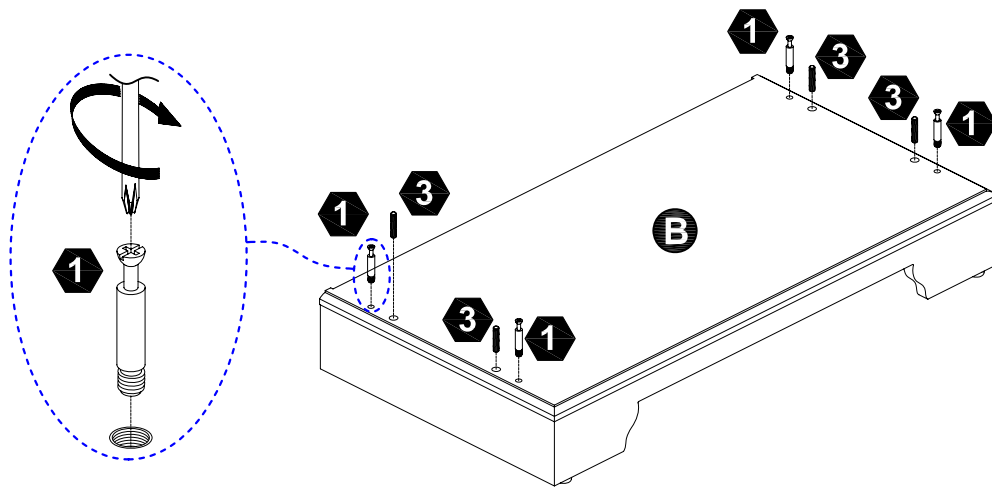
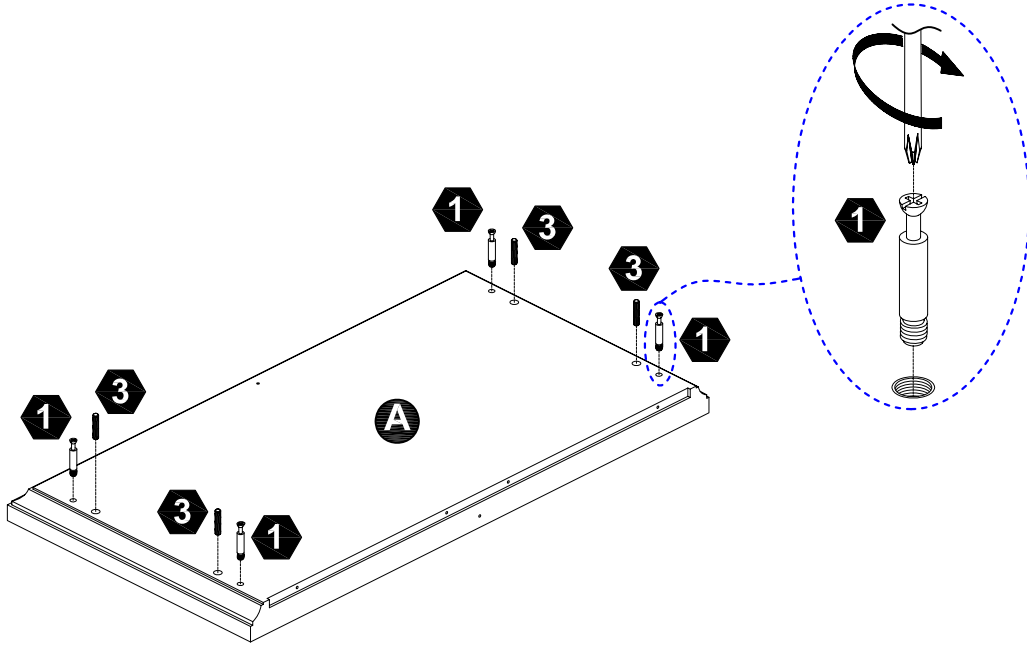
13



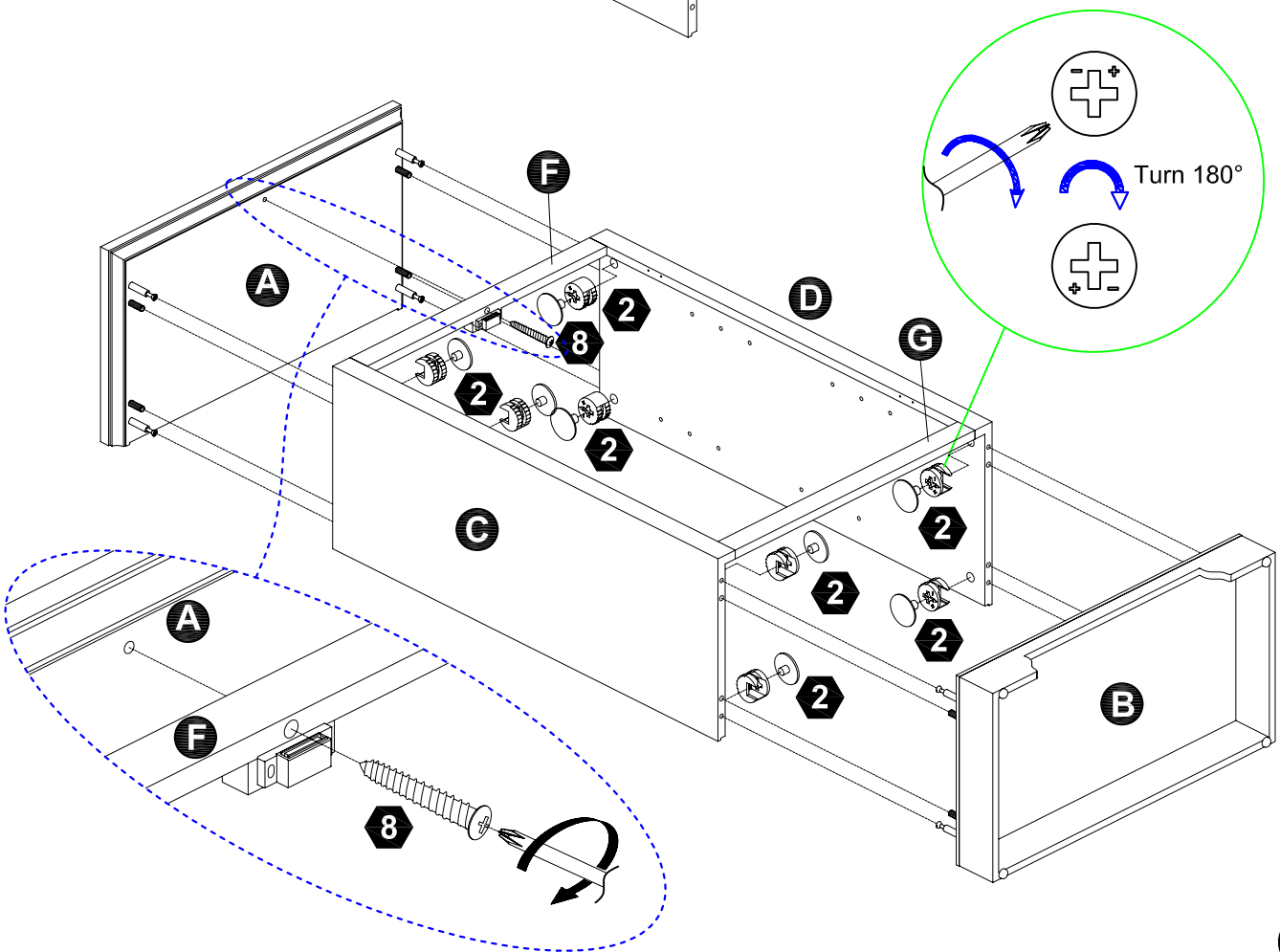
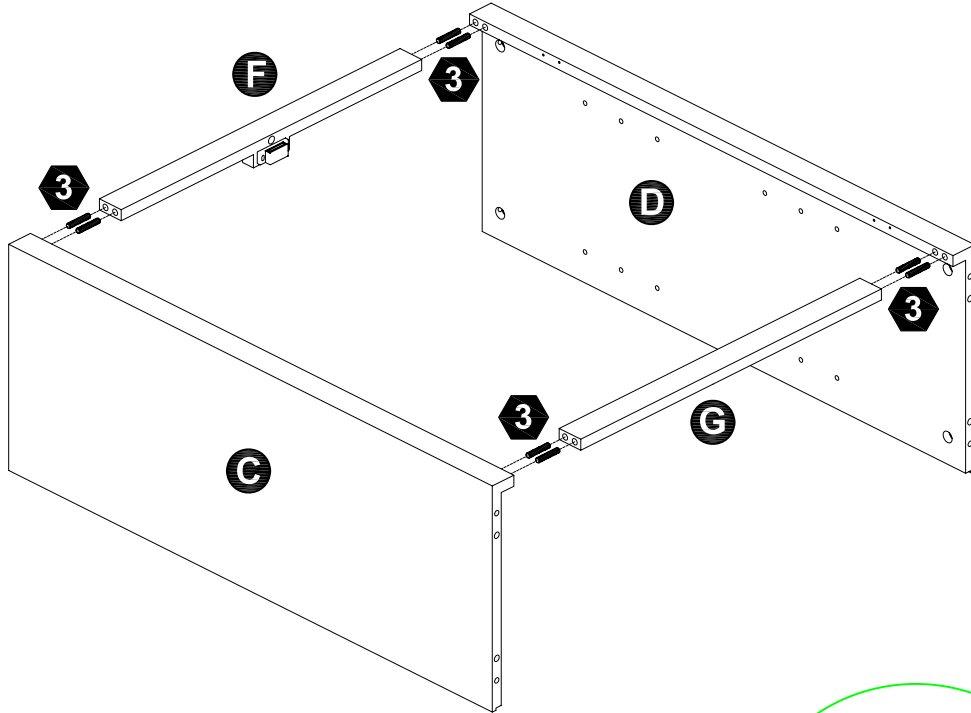
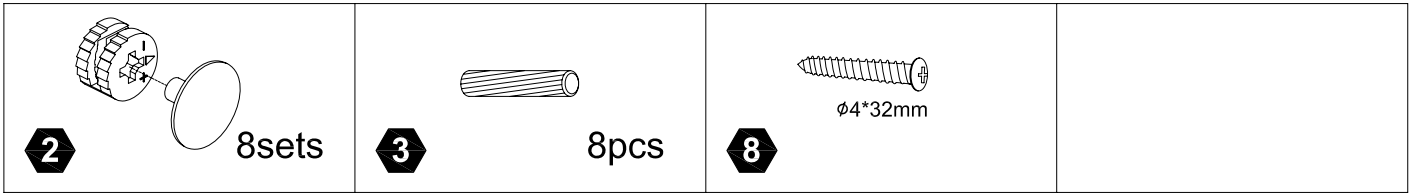
2 pcs

Step 1

 1 8pcs	 3 8pcs		
--	--	--	--



Step 2



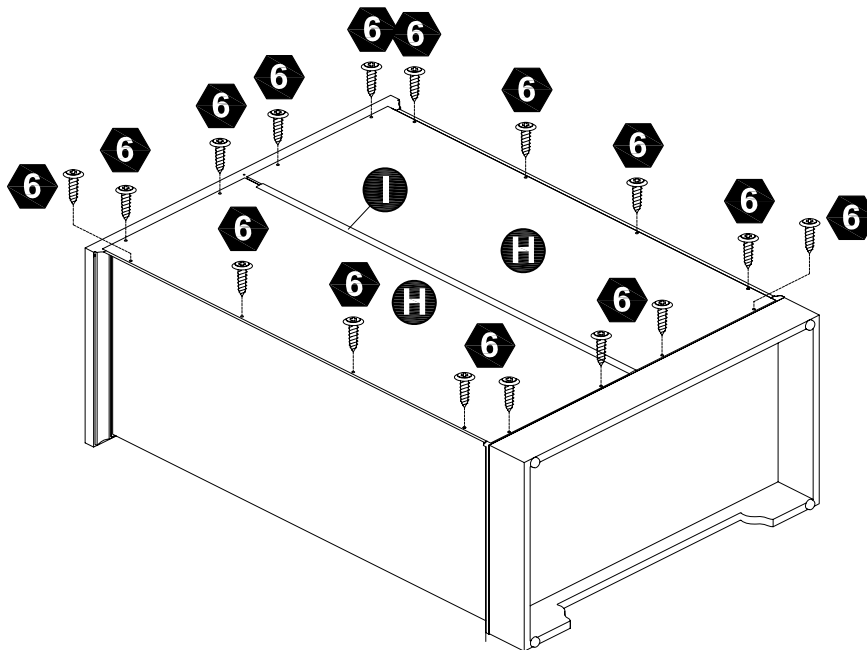
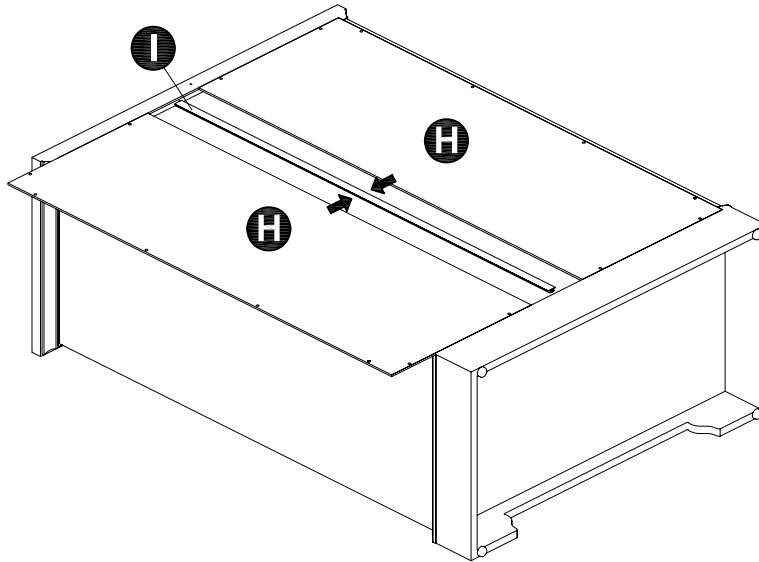
Step 3



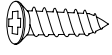
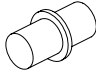
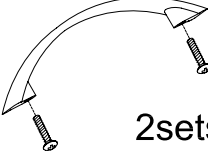
Ø3*12 mm

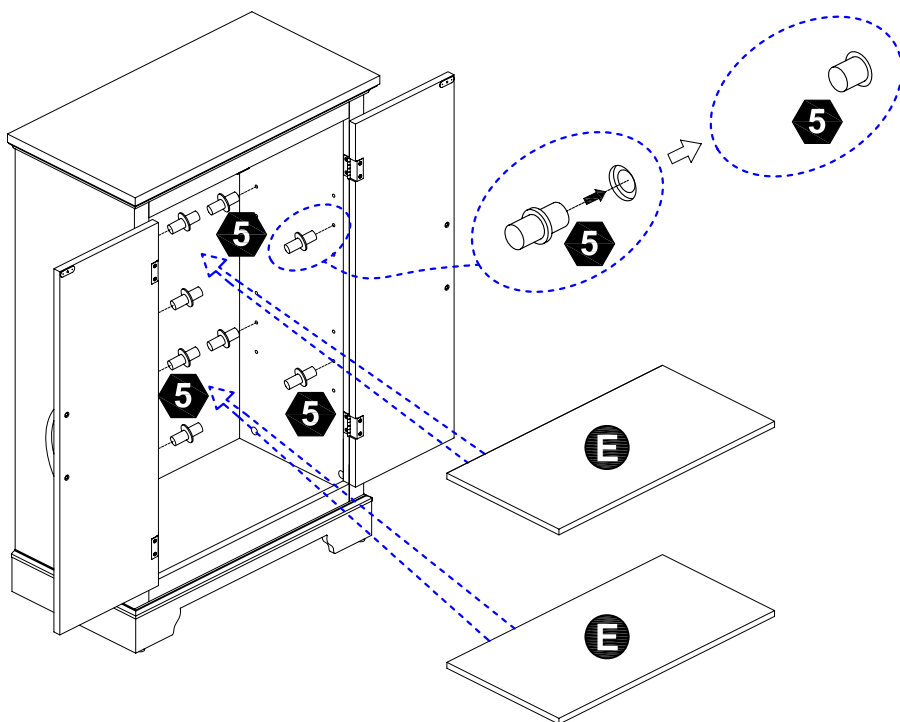
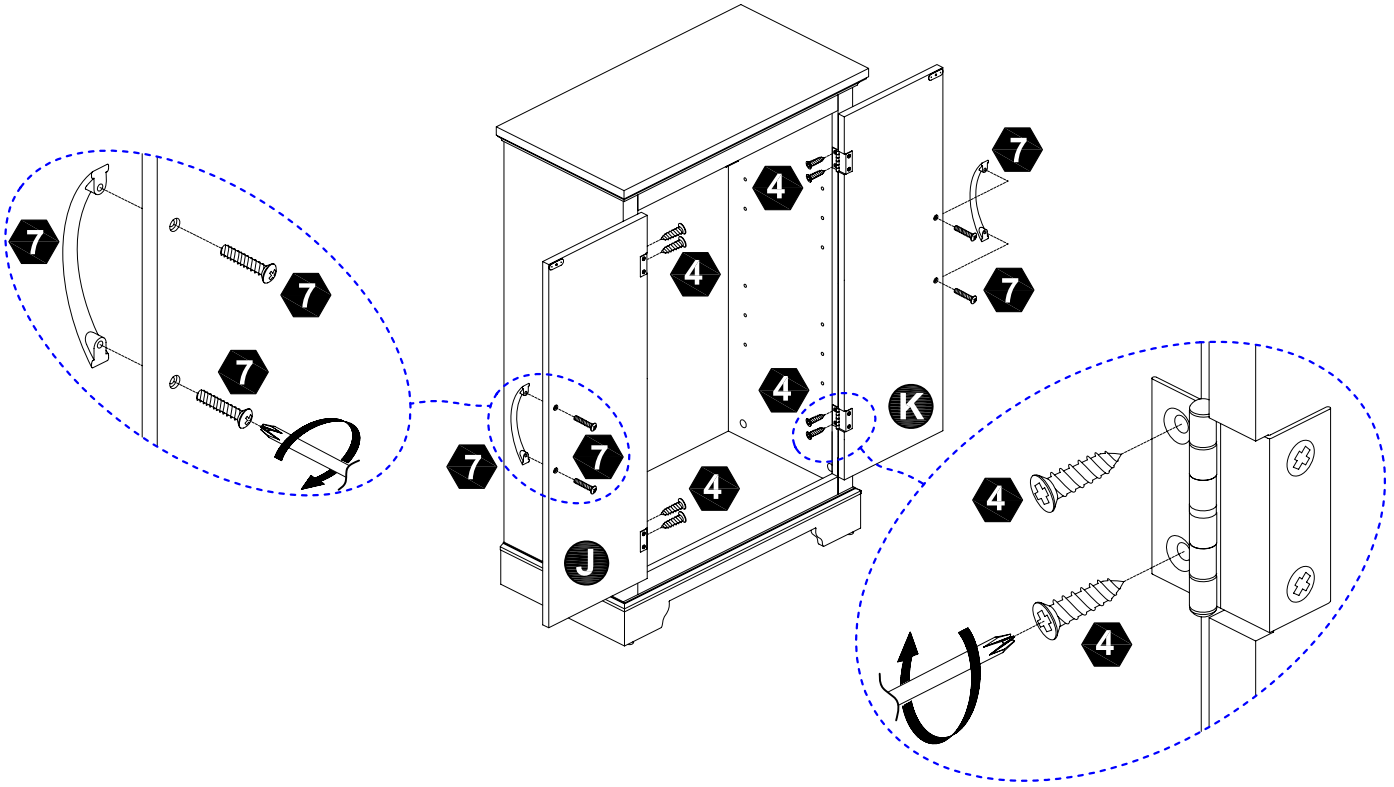
6

16pcs



Step 4

 <p>Ø3*12 mm 8pcs</p>	 <p>8pcs</p>	 <p>2sets</p>	
--	---	---	--



Step 5

