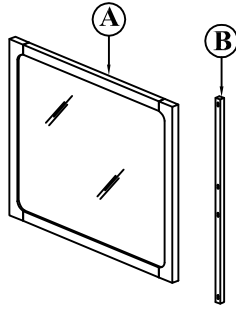


# CICERO MIRROR ASSEMBLY INSTRUCTIONS

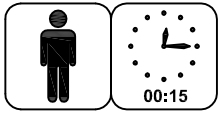
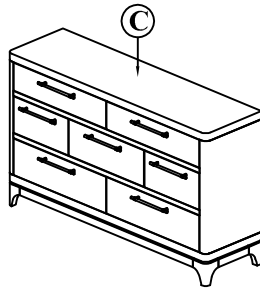


## PARTS PACKING CONFIGURATIONS

BOX #1:  
A. MIRROR 1 PC  
B. MIRROR SUPPORTS 2 PCS  
\* MIRROR HARDWARE PACK



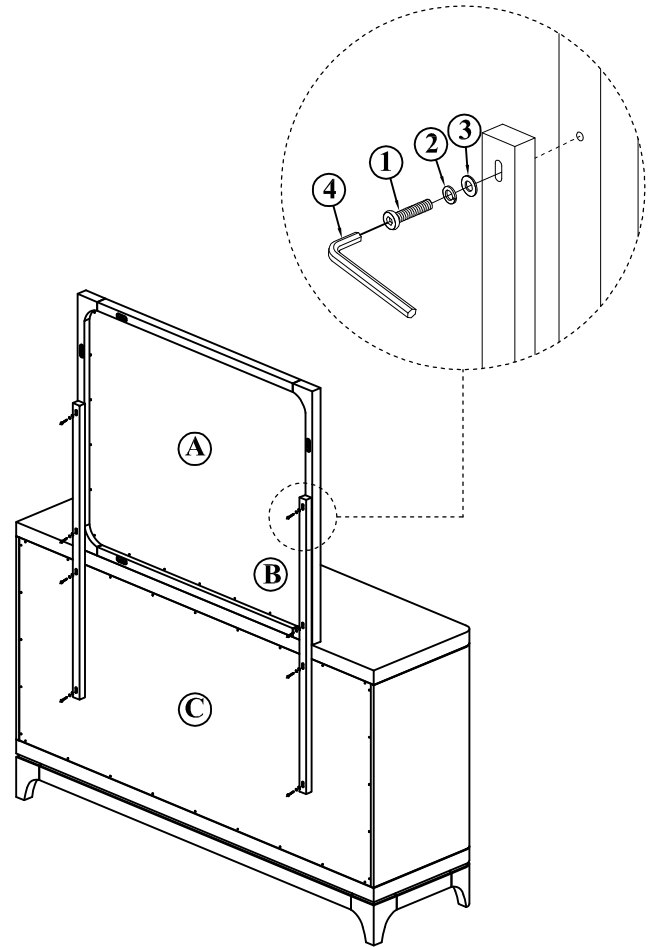
BOX #2:  
C. DRESSER (SOLD SEPARATELY) 1 PC



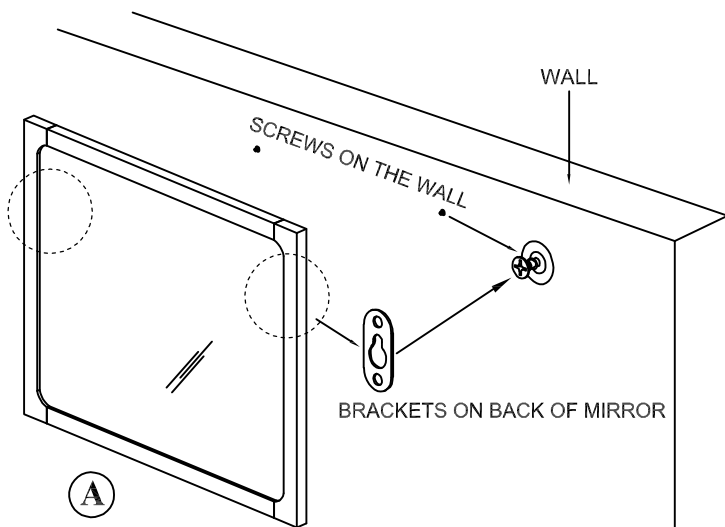
### HARDWARE PACKED IN BOX #1

No	Description	Photo	Quantity
1	ALLEN BOLT (6x50mm)		8 PCS
2	SPRING WASHER (6x11mm)		8 PCS
3	FLAT WASHER (6x19mm)		8 PCS
4	ALLEN KEY		1 PC

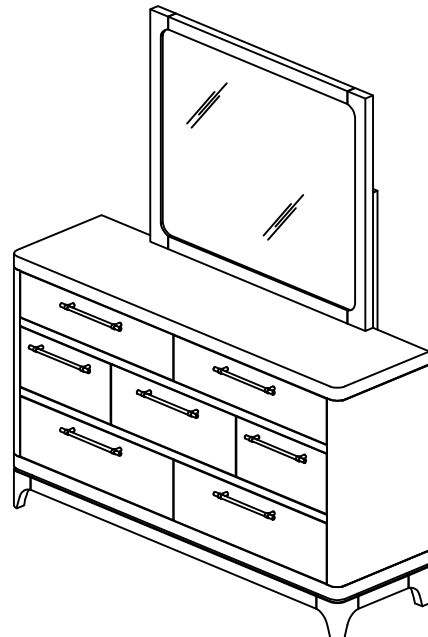
### OPTION 1: ATTACHING MIRROR TO DRESSER



### OPTION 2: ATTACHING MIRROR TO WALL



### ASSEMBLY COMPLETE



MOUNTING HARDWARE IS NOT INCLUDED.

TOOL REQUIRED  
PHILLIPS-HEAD SCREWDRIVER (NOT PROVIDED)

