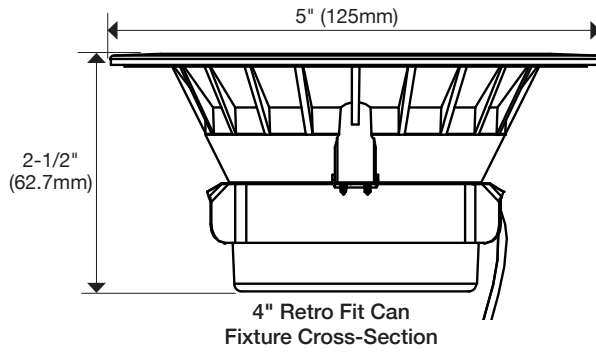
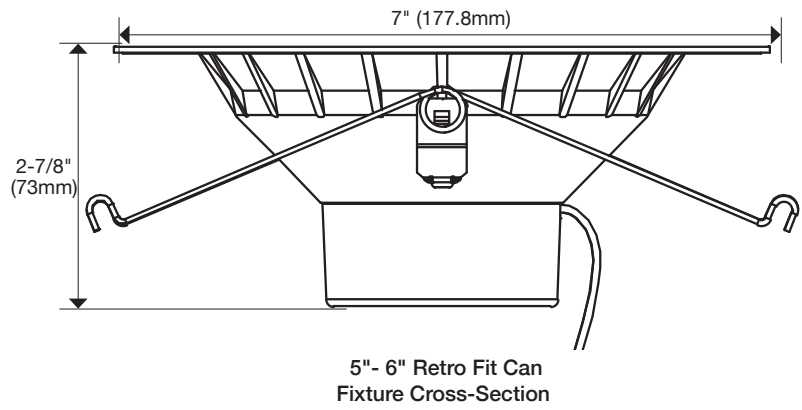


4" Retro Fit fixture shown
L-RC4-FR9-30



5" - 6" Retro Fit fixture shown
L-RC6-FR9-30



HIGHER LIGHT OUTPUT – 9 WATTS PER FIXTURE

PART NUMBER	DESCRIPTION	DIMENSIONS	LUMENS PER FIXTURE Based on 4000K (approx. per fixture)	TOTAL WATTS PER FIXTURE	KELVIN TEMPERATURE
L-RC4-FR9- Temp	4" retro fit can light	5" x 2-1/2"	900	9	3000K (30) 4000K (40)
L-RC6-FR9- Temp	5" – 6" retro fit can light	7" x 2-7/8"	900	9	3000K (30) 4000K (40)

Blue indicates customer choice. Temp indicates Kelvin Temperature.
L-RC4-FR9-30 (Example part number for 4" Retro fit can light in 3000K)

FEATURES

- Mount into existing can light socket
- Fully assembled fixture with screw base adapter for easy installation
- 90 CRI (Color Rendering Index – true color)
- 3-year limited warranty
- Designed for indoor application
- No UV or IR
- 30,000 hour LED life at 70% lumen maintenance
- 12 volt DC plug-in or hardwired power supply required (order separately)

APPLICATIONS

- Ceiling
- Office
- Stairway
- Lobby

TECHNICAL INFORMATION

Series	Mini Square Series
Input Voltage	12 volt DC
Color Temperature (Kelvin)	Warm white 2700K (27) Soft white 3000K (30) Cool white 4000K (40) Daylight white 5000K (50)
CRI (Color Rendering Index)	90+
LED Type	1W Edixeon S High power
Lumens	105 lumens per fixture
Max Run	Refer to power supply specs
Cuttable	No
IP Rating	-----
Dimmable	Not recommended
Rating	cULus Listed
Rated Life	30,000 hrs
LED Beam Angle	60°
LEDs Per Fixture	1
Mounting	Surface or Recess Mount
Recess Mount Hole	1-3/16" hole saw
Wiring	20/2 stranded
Operating Temperature	-13°F to 104°F (-25°C to 45°C)
Environment	Dry location
Construction Material	Aluminum
Warranty	3 years