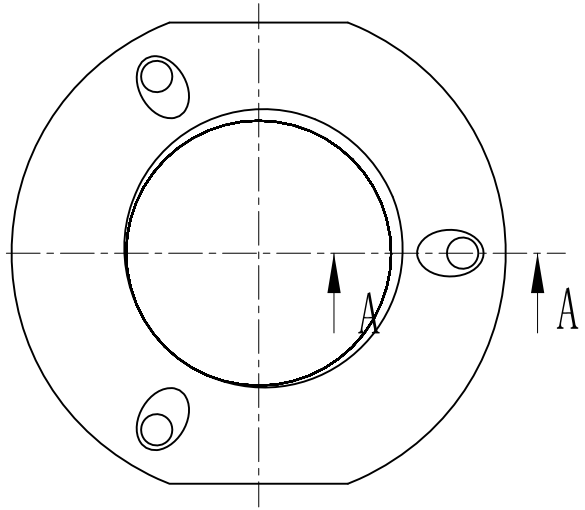
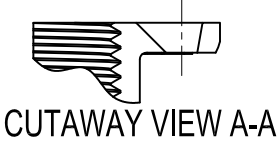
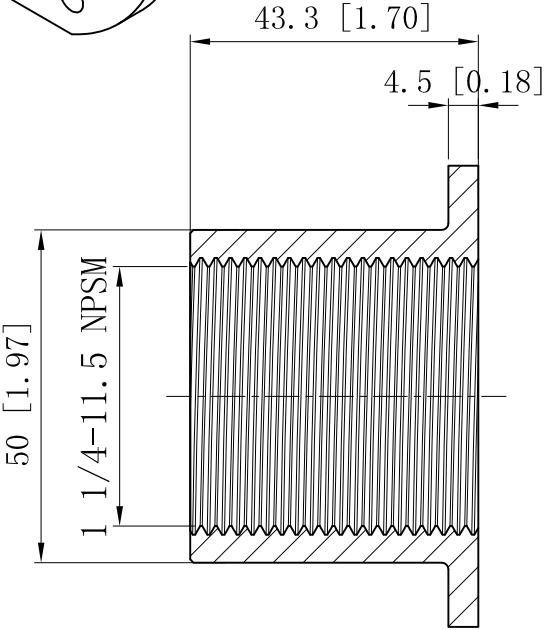
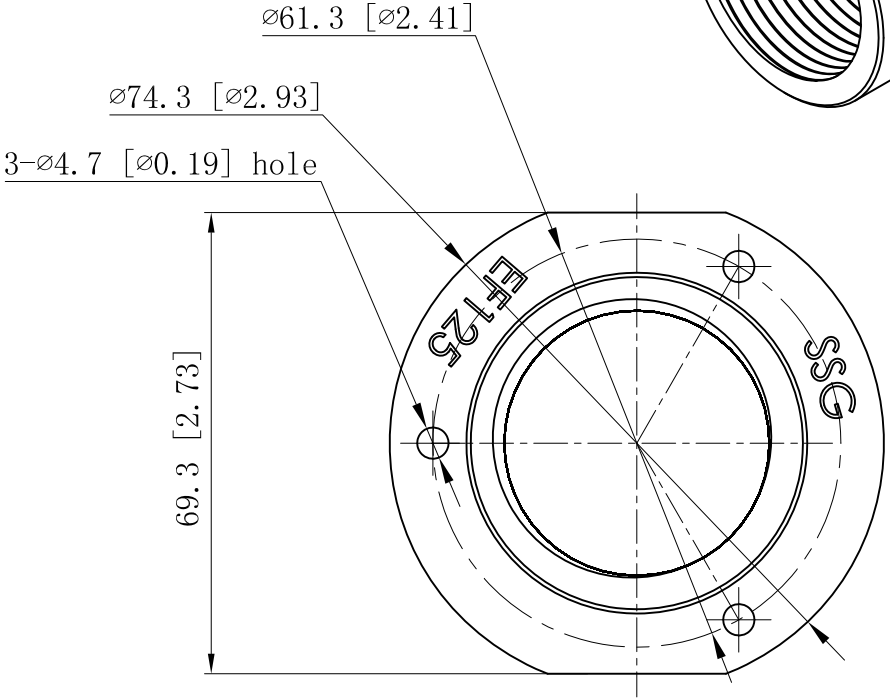
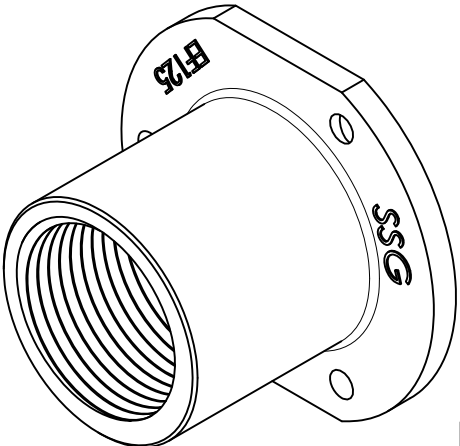


SIDES	BOTTOM
Material: Steel-Malleable Casting Zinc Plated	



This data sheet is for reference only .GARVIN INDUSTRIES reserves the right to make changes to the design without prior notice.

DESCRIPTION
TRADE REFERENCE TERMS

STANDARD PACKING
50 PCS

GARVIN INDUSTRIES		
TITLE ELECTROFORM CONCRETE SLAB PIPE INSERTS		
SIZE A4	DWG NO. EF-125	REV
DATA SHEET		
www.garvinindustries.com		