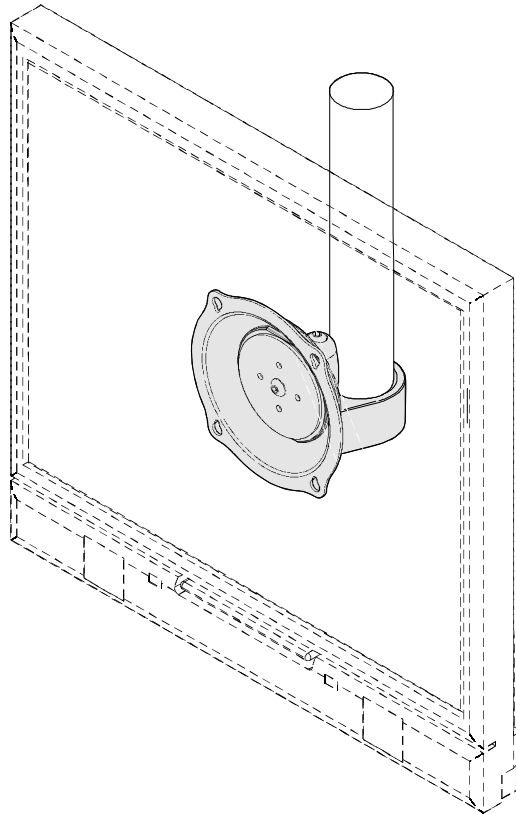

INSTALLATION INSTRUCTIONS




Medium Flat Panel Ceiling Mount


DISCLAIMER


Milestone AV Technologies, Inc., and its affiliated corporations and subsidiaries (collectively, "Milestone"), intend to make this manual accurate and complete. However, Milestone makes no claim that the information contained herein covers all details, conditions or variations, nor does it provide for every possible contingency in connection with the installation or use of this product. The information contained in this document is subject to change without notice or obligation of any kind. Milestone makes no representation of warranty, expressed or implied, regarding the information contained herein. Milestone assumes no responsibility for accuracy, completeness or sufficiency of the information contained in this document.


Chief® and Centris™ are registered trademarks of Milestone AV Technologies, Inc. All rights reserved.


 **IMPORTANT SAFETY INSTRUCTIONS**


 **WARNING:** A WARNING alerts you to the possibility of serious injury or death if you do not follow the instructions.

 **CAUTION:** A CAUTION alerts you to the possibility of damage or destruction of equipment if you do not follow the corresponding instructions.


 **WARNING:** Failure to read, thoroughly understand, and follow all instructions can result in serious personal injury, damage to equipment, or voiding of factory warranty! It is the installer's responsibility to make sure all components are properly assembled and installed using the instructions provided.


 **WARNING:** Failure to provide adequate structural strength for this component can result in serious personal injury or damage to equipment! It is the installer's responsibility to make sure the structure to which this component is attached can support five times the combined weight of all equipment. Reinforce the structure as required before installing the component.

 **WARNING:** Use this mounting system only for its intended use as described in these instructions. Do not use attachments not recommended by the manufacturer.

 **WARNING:** Exceeding the weight capacity can result in serious personal injury or damage to equipment! It is the installer's responsibility to make sure the combined weight of all components located within the mounting system of the JHS Series model does not exceed maximum weights listed in table below.

MODEL	Max Weight Allowed for Display	Max Weight Capacity of Entire Mounting System
JHS Series with one column attached	75 lbs (34.0 kg)	500 lbs (226.8 kg)
JHS Series with two columns attached	75 lbs (34.0 kg)	500 lbs (226.8 kg)

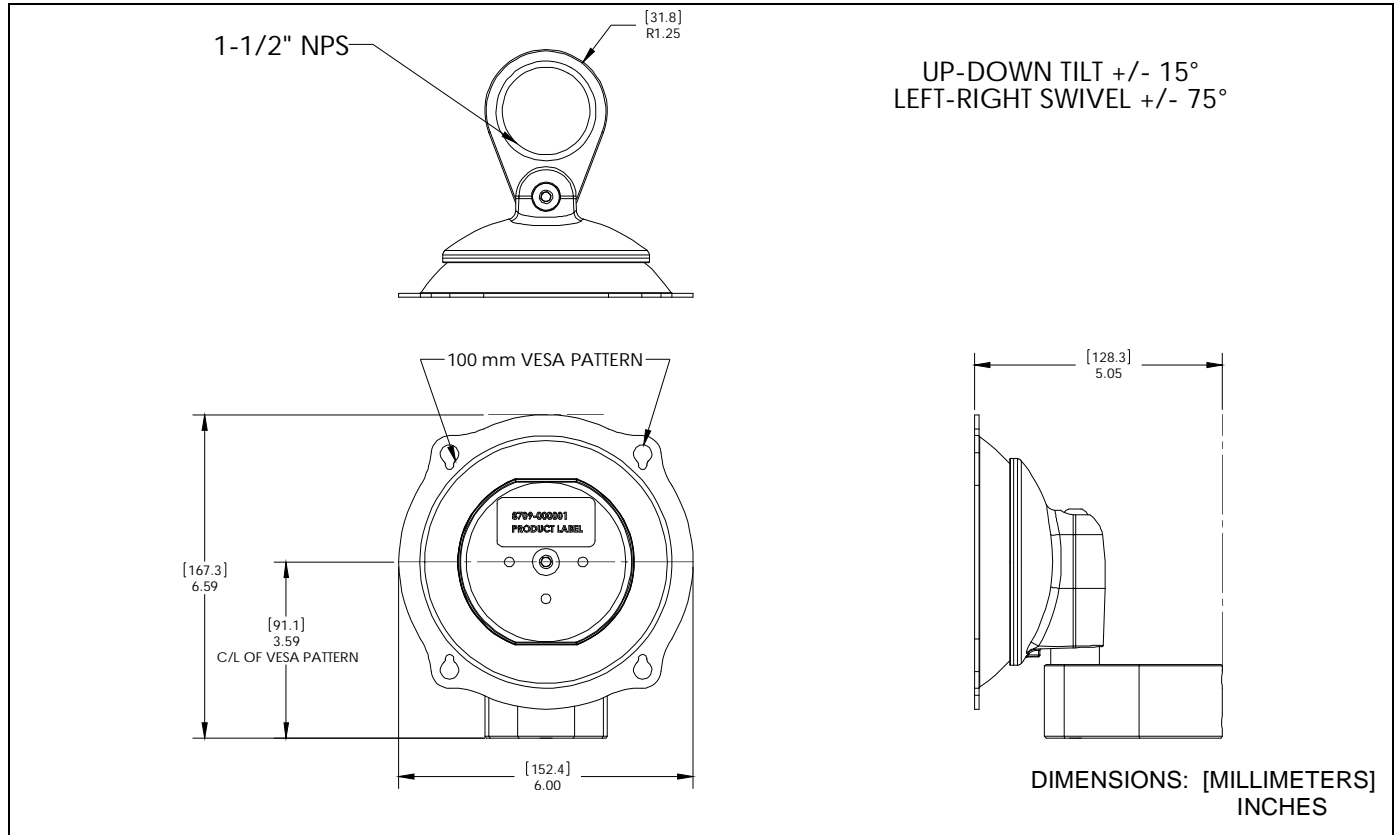
 **WARNING:** Never operate this mounting system if it is damaged. Return the mounting system to a service center for examination and repair.

 **WARNING:** Do not use this product outdoors.

IMPORTANT ! : The JHS is designed to be installed to one or two 1-1/2" NPT or NPSM following ANSI/ASME B1.20.1 (Schedule 40, 0.154" minimum thickness steel or aluminum - ASTM B221) threaded extension columns (not included).

--SAVE THESE INSTRUCTIONS--

DIMENSIONS



LEGEND

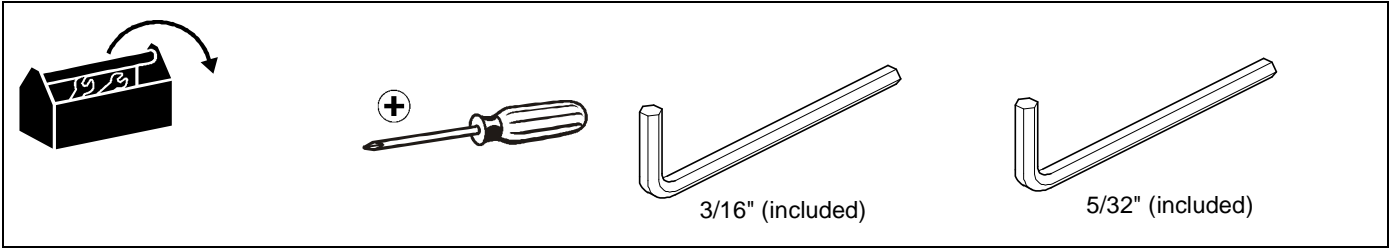
	Tighten Fastener
	Apretar elemento de fijación
	Befestigungsteil festziehen
	Apertar fixador
	Serrare il fissaggio
	Bevestiging vastdraaien
	Serrez les fixations
Сожмите Застежку	

	Phillips Screwdriver
	Destornillador Phillips
	Kreuzschlitzschraubendreher
	Chave de fendas Phillips
	Cacciavite a stella
	Kruiskopschroevendraaier
	Tournevis à pointe cruciforme
Отвертка	

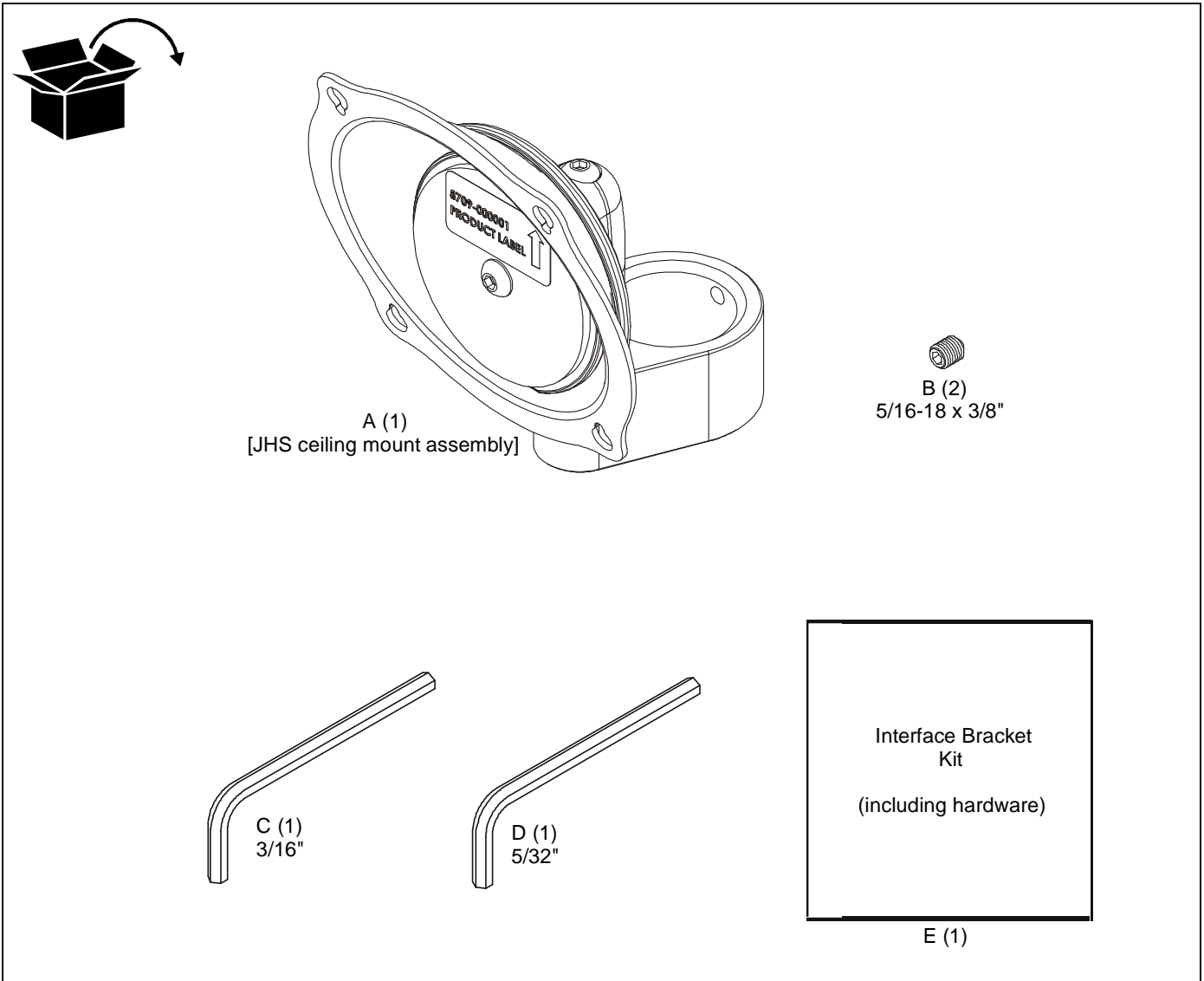
	Loosen Fastener
	Aflojar elemento de fijación
	Befestigungsteil lösen
	Desapertar fixador
	Allentare il fissaggio
	Bevestiging losdraaien
	Desserrez les fixations
Ослабьте Застежку	

	Hex-Head Wrench
	Llave de cabeza hexagonal
	Sechskantschlüssel
	Chave de cabeça sextavada
	Chiave esagonale
	Zeskantsleutel
	Clé à tête hexagonale
Ключ с шестигранной головкой	

TOOLS REQUIRED FOR INSTALLATION



PARTS



INSTALLATION

IMPORTANT ! : These installation instructions assume that a 1-1/2" NPT or NPSM following ANSI/ASME B1.20.1 (Schedule 40, 0.154" minimum thickness steel or aluminum - ASTM B221) threaded extension column (not included) has been properly installed and is in place.

1. Thread mount (A) onto 1-1/2" NPT pipe (not included) until hand tight, with a minimum of four threads engaged.
2. Adjust mount (A) position until Centris cup is facing the desired position of the display. (See Figure 1)

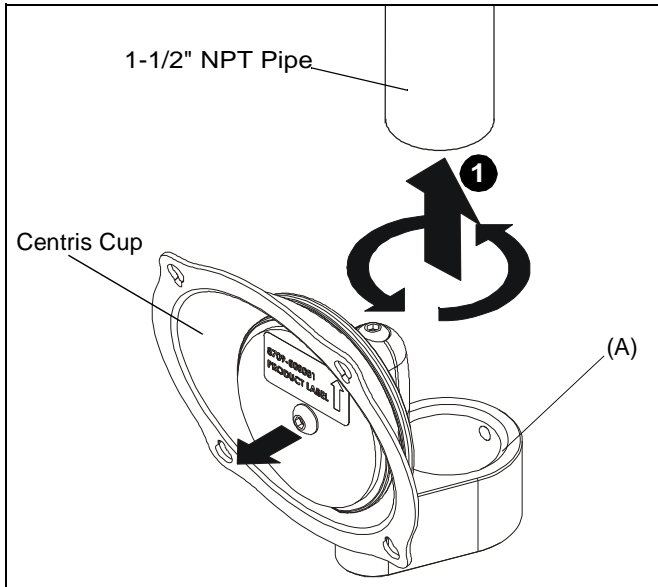


Figure 1

3. When mount (A) is properly positioned, secure mount to 1-1/2" NPT pipe by installing and tightening 5/16-18 x 3/8" set screw (B). (See Figure 2)

NOTE: If mount is being used to couple two pipes, use both set screws (B) when securing mount (A) to pipes, and ensure that both pipes are installed with a minimum of four threads engaged.

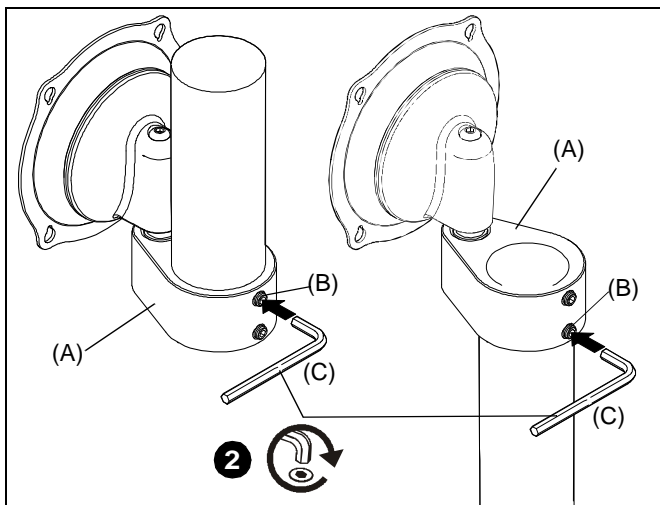


Figure 2

Display Installation



WARNING: IMPROPER INSTALLATION CAN LEAD TO EQUIPMENT FALLING CAUSING SERIOUS PERSONAL INJURY AND DAMAGE TO EQUIPMENT! DO NOT substitute hardware. Use only hardware supplied by manufacturer!



WARNING: IMPROPER INSTALLATION CAN LEAD TO ELECTRIC SHOCK OR DAMAGE TO EQUIPMENT! Screw length must not exceed the depth of threaded mounting insert in display.



WARNING: OVER-TIGHTENING OF SCREWS CAN DAMAGE PARTS AND LEAD TO SERIOUS PERSONAL INJURY AND DAMAGE TO EQUIPMENT! DO NOT over tighten screws when installing interface bracket.

NOTE: If the display being installed has a 100x100 VESA mounting pattern, no interface bracket is required and the display can be mounted directly to the Centris cup as outlined below.

NOTE: If the display being installed requires an interface bracket, refer to the interface bracket installation instructions.



WARNING: IMPROPER INSTALLATION CAN LEAD TO DISPLAY FALLING CAUSING SERIOUS PERSONAL INJURY OR DAMAGE TO EQUIPMENT! Using screws of improper size may damage your display! Proper screws will easily and completely thread into display mounting holes. Ensure that screws are not too long.



WARNING: IMPROPER INSTALLATION CAN LEAD TO DISPLAY FALLING CAUSING SERIOUS PERSONAL INJURY OR DAMAGE TO EQUIPMENT! Inadequate thread engagement in display may cause display to fall! Back out screws ONLY as necessary to allow installation of Centris cup!

1. Start two M4 x 8mm Phillips pan head screws (included in interface bracket hardware kit) into upper mounting holes in display back. (See Figure 3)

NOTE: Leave at least 1/8" of each screw protruding out back of display.

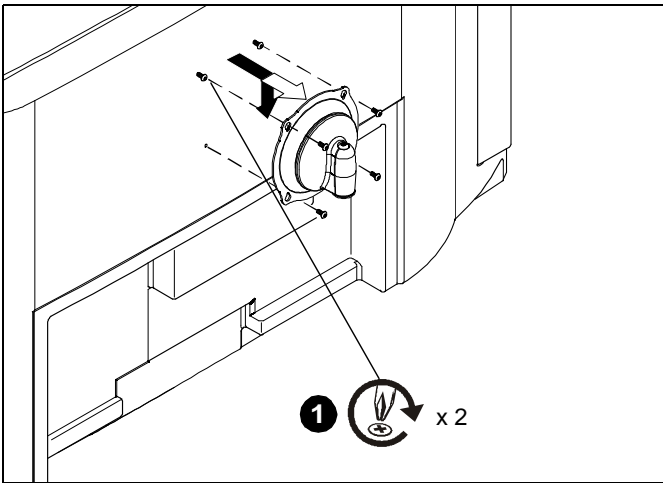


Figure 3

2. Align two screws in display back with upper mounting holes in Centris cup and lower display until screws are seated in lower area of teardrop mounting holes. (See Figure 4)
3. Install two more of the same screws through lower mounting holes in Centris cup and into display back. (See Figure 4)
4. Tighten all hardware.
5. Route cables and wires to display.

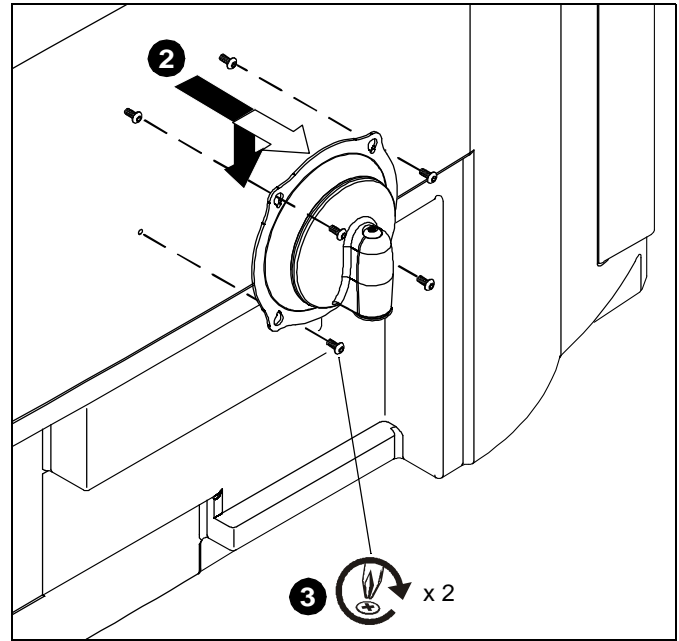


Figure 4

Adjustments

To adjust display Roll, Pitch, and YAW tension:

1. Disconnect all wires and cable from the display.
2. Remove two *Lower* screws securing display to Centris cup.
3. Loosen two *Upper* screws securing display.
4. Lift display upward and away from mount.
5. Using a hex head wrench turn the tension adjustment screw clockwise to increase tension, or counter-clockwise to decrease tension. (See Figure 5)
6. Re-install display.

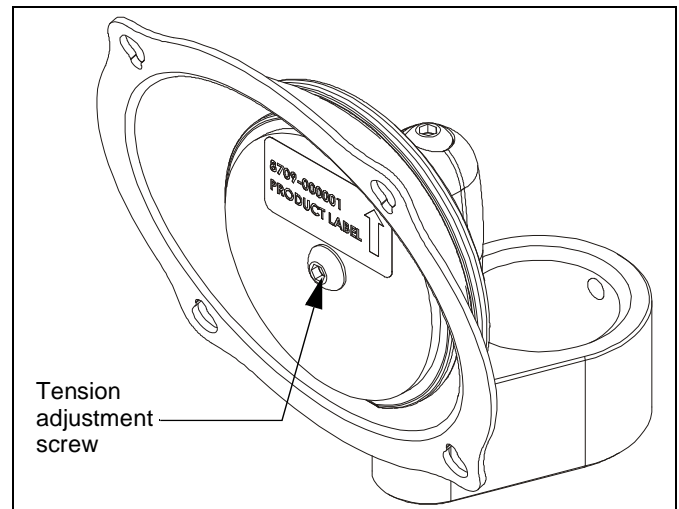


Figure 5



Our Mounts. **Your Vision.**

Chief Manufacturing, a products division
of Milestone AV Technologies

8800-002503 Rev00

©2013 Milestone AV Technologies, a
Duchossois Group Company

www.chiefmfg.com

11/13

USA/International	A 6436 City West Parkway, Eden Prairie, MN 55344
	P 800.582.6480 / 952.225.6000
	F 877.894.6918 / 952.894.6918
Europe	A Franklinstraat 14, 6003 DK Weert, Netherlands
	P +31 (0) 495 580 852
	F +31 (0) 495 580 845
Asia Pacific	A Office No. 1 on 12/F, Shatin Galleria 18-24 Shan Mei Street Fotan, Shatin, Hong Kong
	P 852 2145 4099
	F 852 2145 4477