

ITEM #89585

Hunt Club Rustic 54" TV Corner

Leick
Home
SINCE 1910

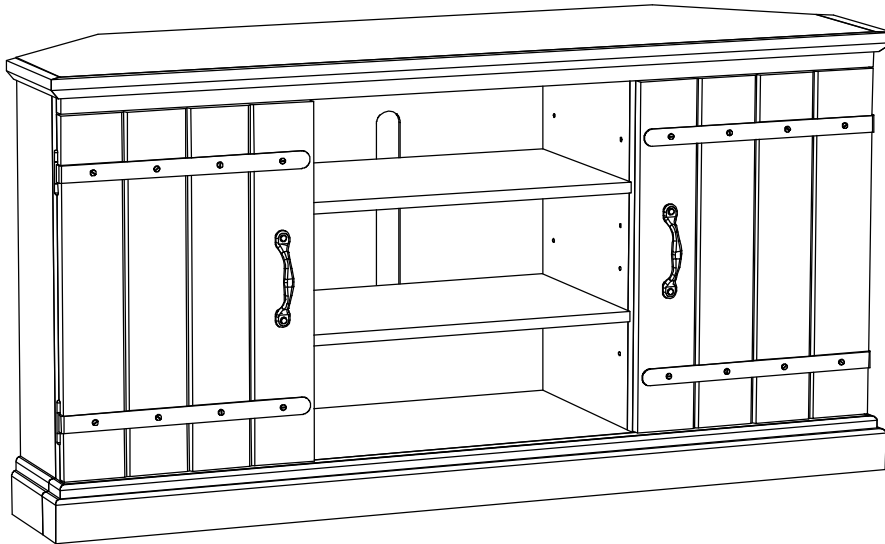
2219 S. 19th St.

Sheboygan, WI 53081


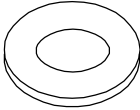

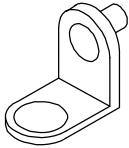


Ph: 920-451-4060

Fax: 920-451-4063

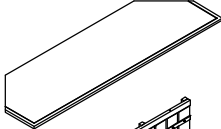
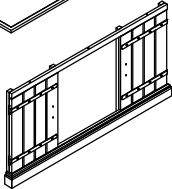






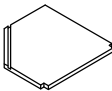
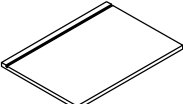
info@leickhome.com



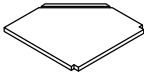
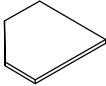
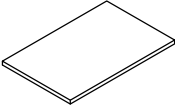
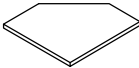
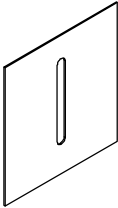
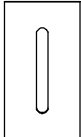
Hardware List

	Item	Description	Qty
a		Long Bolt 1/4"x1-1/8"	11PCS
b		Flat Washer 1/4"x12mm	11PCS
c		Allen wrench	1PC
d		Shelf metal clip	16PCS
e		Door Pull	2PCS
f		Machine Screw 5/32"x5/8"	4PCS

Parts List

Item	Description	Qty
A	 Top	1PC
B	 Front Frame	1PC
C	 Left Side Panel	1PC
D	 Middle Left Side Panel	1PC
E	 Middle Right Side Panel	1PC
F	 Right Side Panel	1PC
G	 Left Back Panel	1PC
H	 Right Back Panel	1PC
I	 Left Bottom Panel	1PC
J	 Middle Bottom Panel	1PC

Parts List

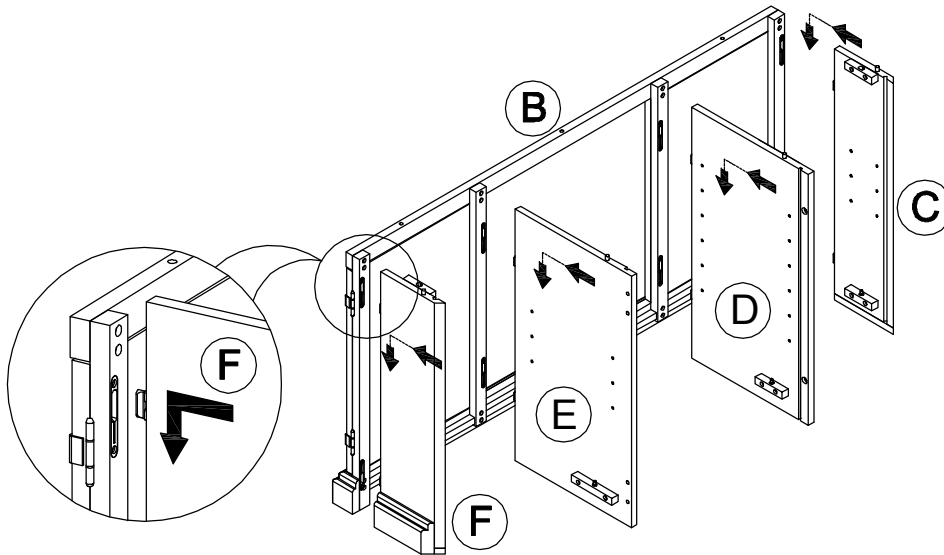
	Item	Description	Qty
K		Right Bottom Panel	1PC
L		Left Adjustable Shelf	1PC
M		Middle Adjustable Shelf	2PCS
N		Right Adjustable Shelf	1PC
O		Middle Back Panel	1PC
P		Side Back Panel	2PCS

Assembly Instructions

Two person assembly recommended.

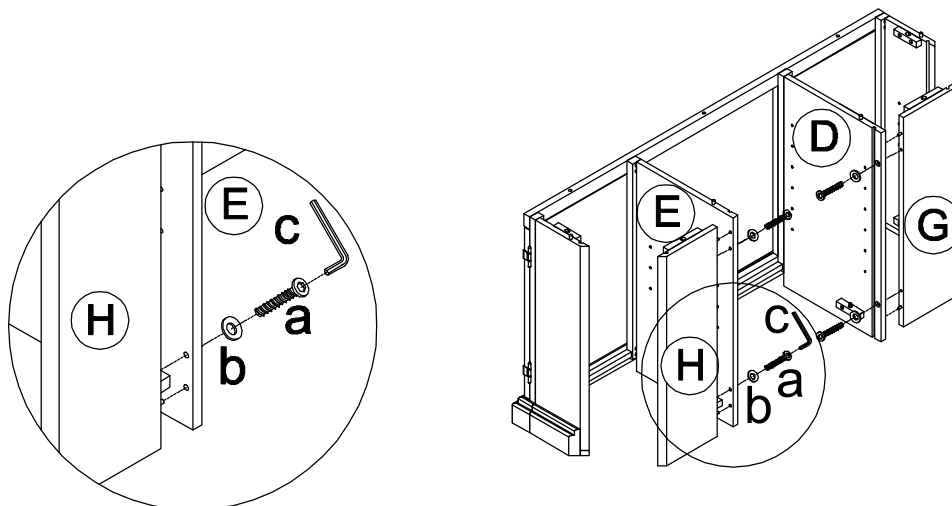
step 1

Insert the side panel (F) onto the front frame, push down the side panel to make it tight. Do the same assembly step on (E & D & C) panels.



step 2

Fasten back side panel with two bolts on center vertical panel (E). Do the same thing on the other back side panel (G).

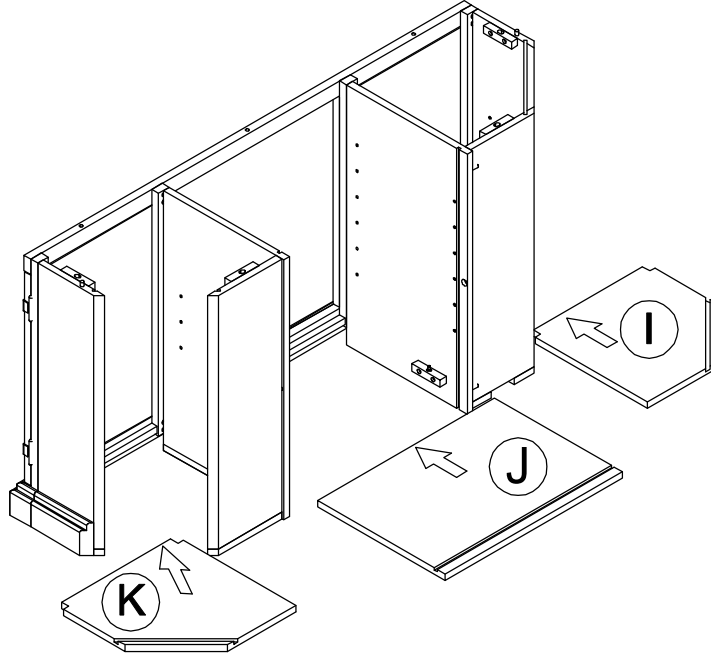


Assembly Instructions

Two person assembly recommended.

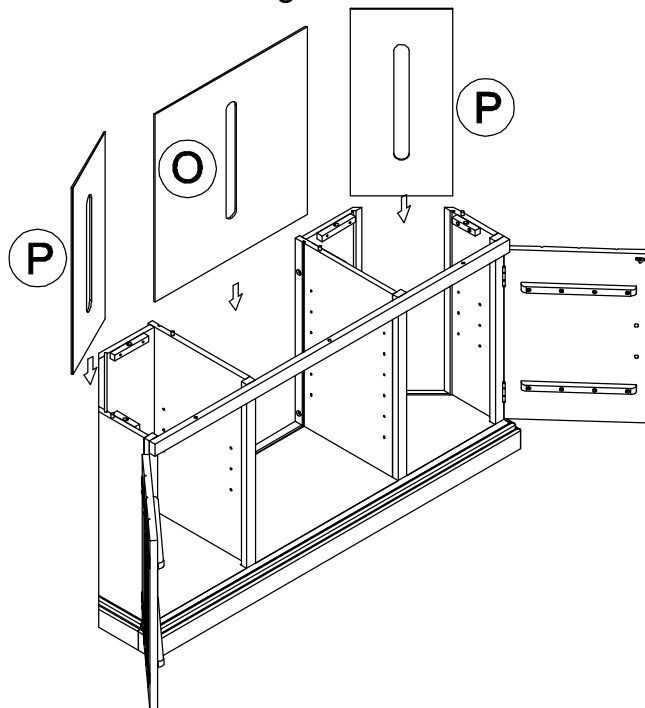
step 3

Insert the bottom panels from the back of unit.



step 4

Slide all back panels into the cabinet grooves.

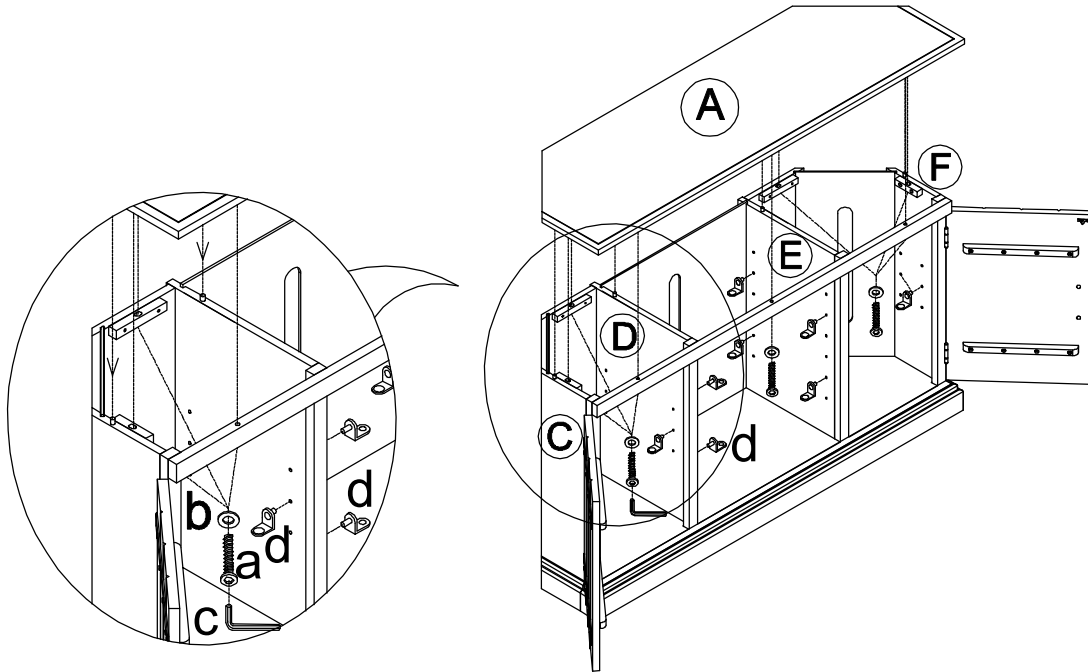


Assembly Instructions

Two person assembly recommended.

step 5

Fasten the top with bolts, and insert the shelf supports.



step 6

Place all shelves on shelf supports and install the door pulls.

