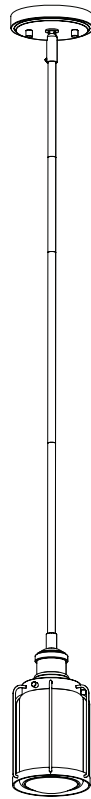


1-LIGHT PENDANT LIGHT

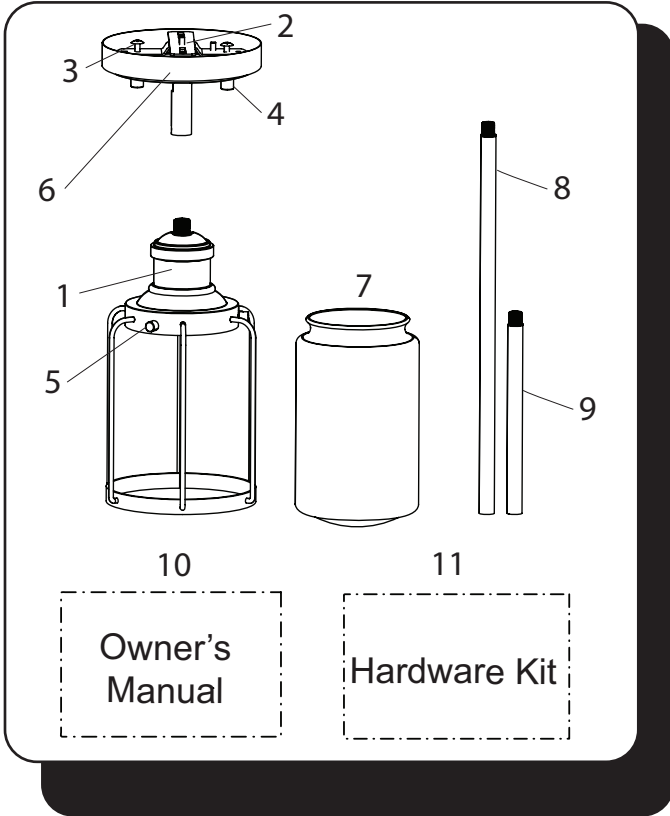
Owner's Manual

Model #51546



If you have difficulty operating your new light fixture, or have difficulty with installation,
please contact Customer Service : 1-877-706-3267, 8 a.m. - 5 p.m. Central Time.

PACKAGE CONTENTS



Unpack your light fixture and check the contents. You should have the following items:

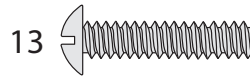
PACKAGE CONTENTS

- | | |
|------------------------|--------------------|
| 1. Fixture | 7. Glass Shade |
| 2. Mounting Bracket | 8. Long Rod (x2) |
| 3. Mounting Screw (x2) | 9. Short Rod (x2) |
| 4. Screw Cap (x2) | 10. Owner's Manual |
| 5. Thumbscrew (x3) | 11. Hardware Kit |
| 6. Canopy | |

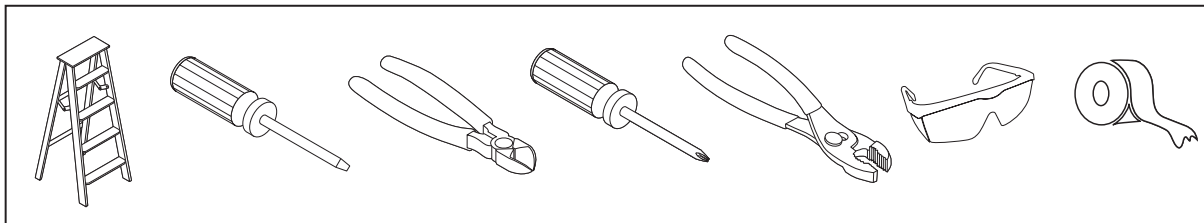
HARDWARE CONTENTS

- | | |
|-------------------------|------------------------|
| 12. Wire Connector (x3) | 13. Bracket Screw (x2) |
|-------------------------|------------------------|

HARDWARE CONTENTS



TOOLS REQUIRED (not included)



Tools required for assembly: Electrical tape, Phillips Screwdriver, Pliers, Safety Glasses, Step Ladder, Wire Cutters and Wire Strippers

Helpful Tools: AC Tester Light, Tape Measure, and Wiring Handbook

SAFETY INSTRUCTIONS

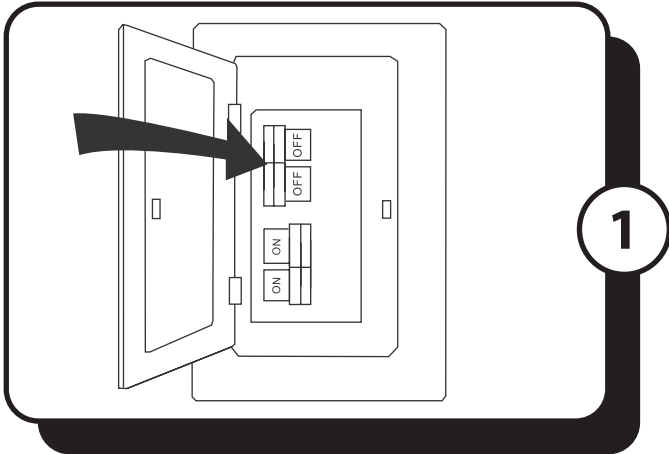
READ ALL SAFETY INFORMATION AND INSTALLATION INSTRUCTIONS BEFORE BEGINNING TO INSTALL THE LIGHT FIXTURE AND SAVE INSTRUCTIONS.

- This fixture is intended for indoor use. It is not suitable for damp or outdoor locations.
- The net weight of the light fixture is approximately 2.90 lbs (1,32kg).

WARNING

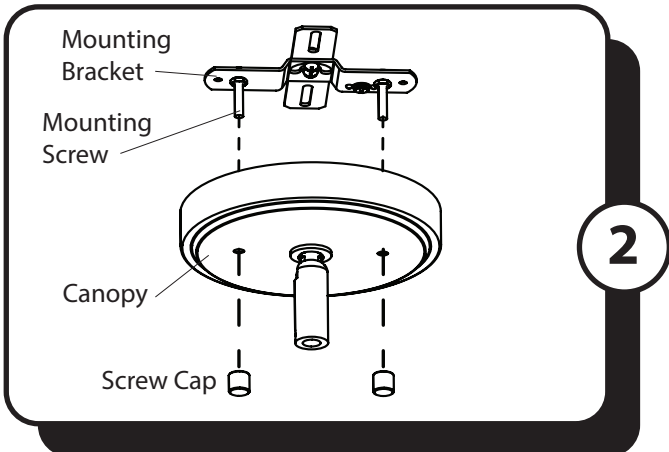
- To avoid risk of electric shock, be sure to shut off power at the main fuse or circuit breaker box before installing or servicing this fixture. Turning off the electrical power by using the light switch is not sufficient to prevent electrical shock.
- Installation must comply with the national electrical code, ANSI/NFPA 70-1999 and local codes. If you are unfamiliar with the methods of installing electrical wiring, seek the services of a qualified licensed electrician.
- To avoid personal injury, the use of gloves or protective clothing may be necessary when handling fixture parts with sharp edges.
- To reduce the risk of fire, electrical shock or personal injury, do not connect this fixture to an outlet box that is not properly grounded.
- To reduce the risk of fire, electrical shock, or personal injury, each wire connector used with this light kit should accept only one 18-gauge wire from the light kit and one 18-gauge wire from the outlet box.
- Wire colors from the outlet box may not be the same color used in this manual. When in doubt, consult a qualified licensed electrician to determine the proper wiring.
- For indoor locations - If using the fixture indoors in a wet location, it must be connected to a supply circuit that is protected by a Ground Fault Circuit Interrupter (GFCI) to reduce the risk of personal injury, electrical shock or death.

ASSEMBLY INSTRUCTIONS

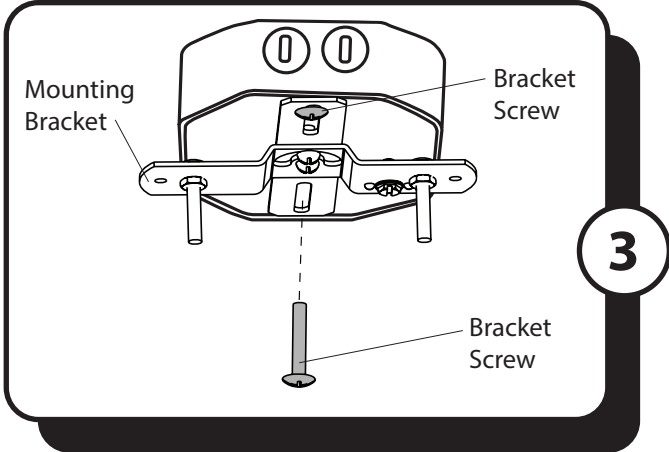


1. Turn OFF the electrical power at the main fuse or circuit breaker.

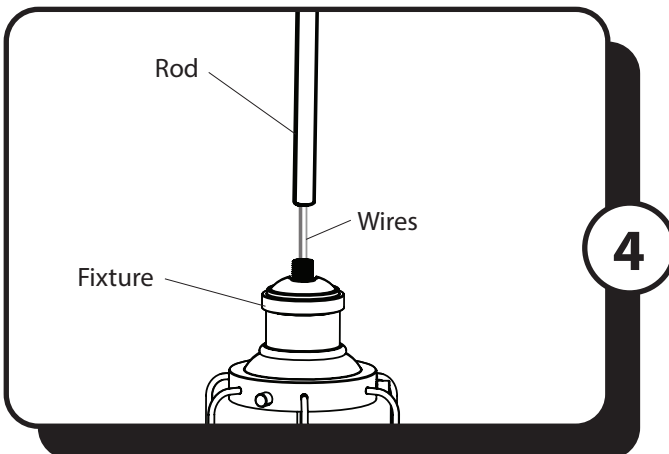
DANGER: Failure to disconnect the power supply prior to installation may result in serious injury or death.



2. Remove the screw caps from the mounting screws preassembled to the mounting bracket. Remove the mounting bracket from the canopy.

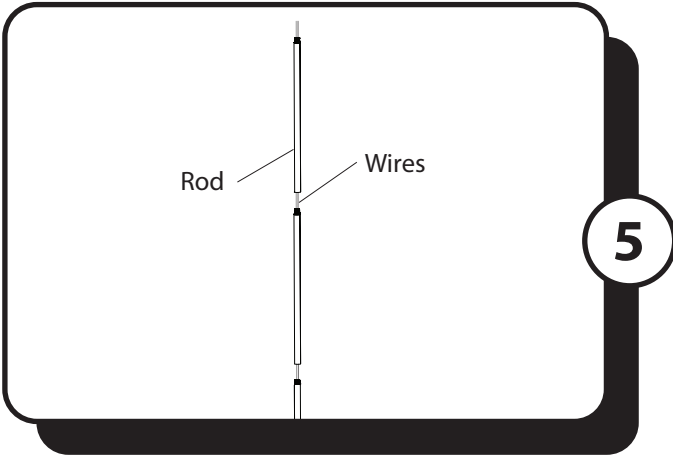


3. Use the bracket screws from the hardware bag to attach the mounting bracket securely to the outlet box.

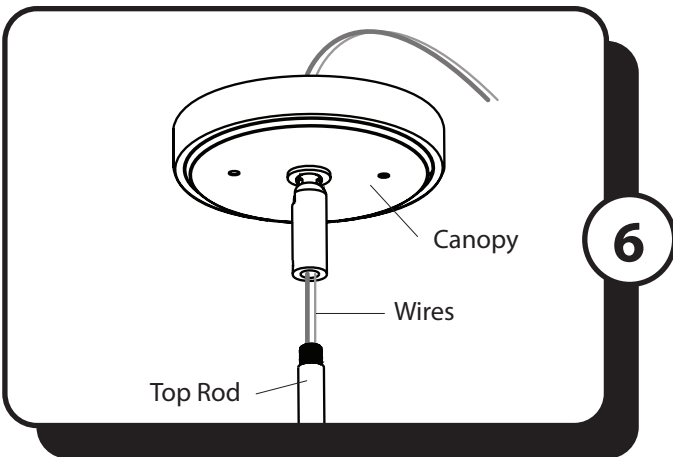


4. **Note:** Determine which combination of short rods and long rods to use based on the desired length of the fixture. Twist the wire ends coming from the fixture together and feed through center hole in the first rod. Connect the first rod to the fixture by twisting the threaded end onto the fixture in a clockwise direction until secure.

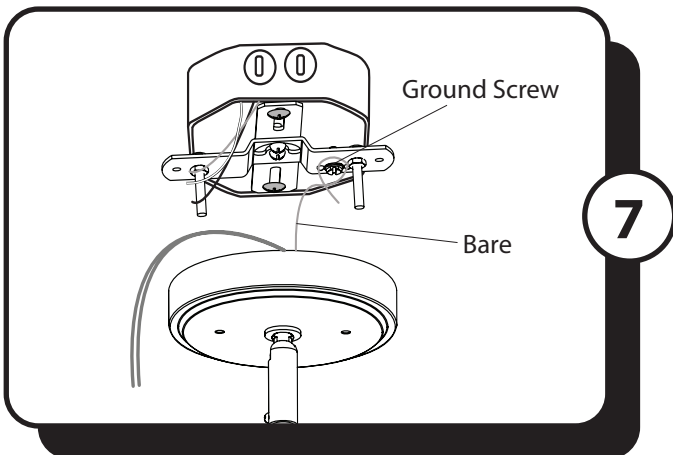
ASSEMBLY INSTRUCTIONS



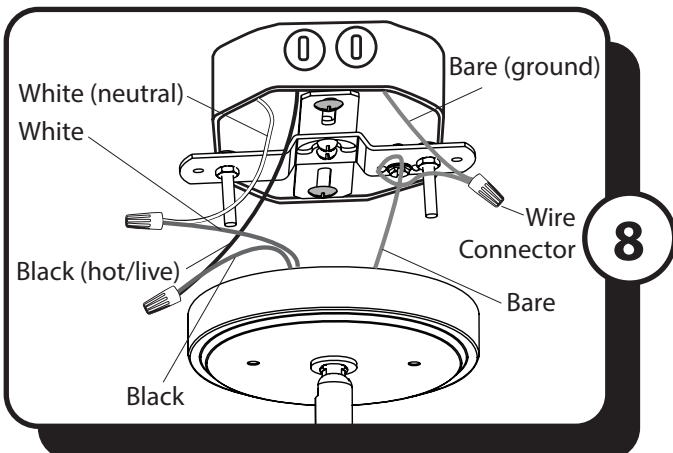
5. Feed the wires through the remainder of the desired rods and then connect the rods by twisting them in a clockwise direction.



6. Feed the wires from the top rod through the canopy. Then insert the threaded end of the top rod into the canopy and turn in a clockwise direction until secure.



7. Loosen the ground screw on the mounting bracket and wrap the bare wire from the fixture around the ground screw. Tighten the ground screw to hold the bare wire in place. **Note:** Ensure there is enough of the bare wire extending from the ground screw to connect to the ground wire from the outlet box using a wire connector.

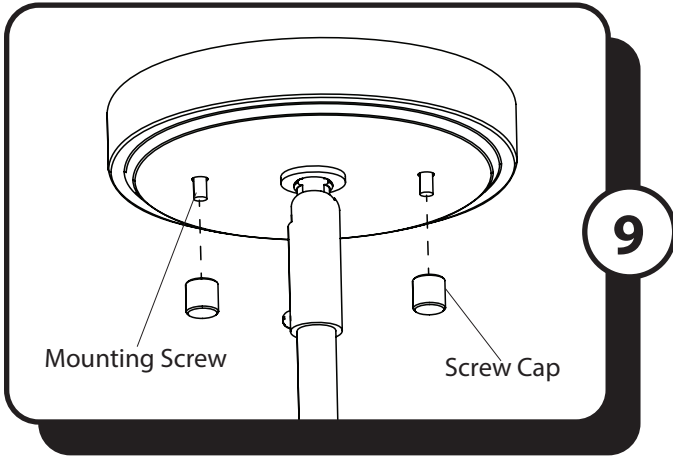


8. Connect supply and fixture wires according to the diagram and these steps:

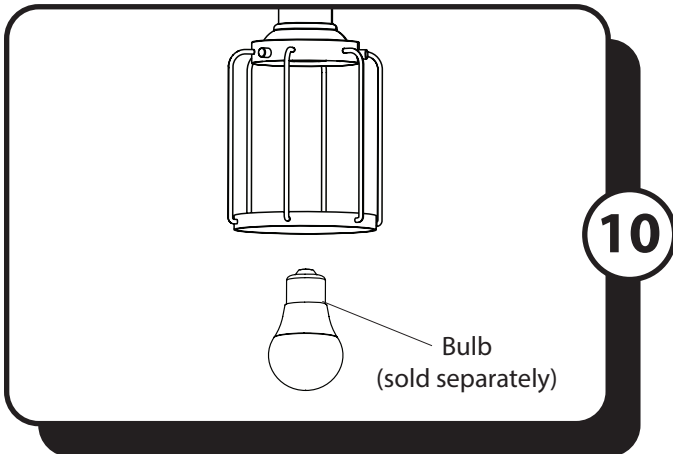
- Connect the Bare Copper wire from the fixture and the to the Bare/Green (ground) supply wire.
- Connect the White wire from the fixture to the White (neutral) supply wire.
- Connect the Black wire from the fixture to the Black (hot) supply wire.

Secure all wiring connections together with wire connectors.

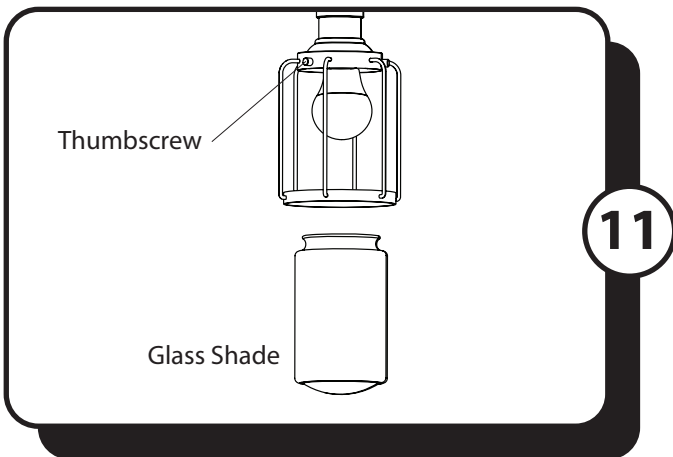
ASSEMBLY INSTRUCTIONS



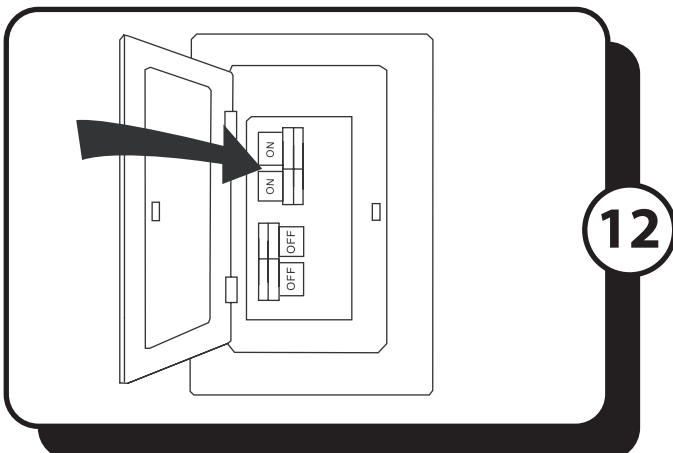
9. Lift the fixture onto the mounting screws preassembled to the mounting bracket. Then use the screw caps to secure the fixture to the mounting bracket. **Note:** If the fixture is not flush against the ceiling, remove the fixture and loosen the hex nuts to allow the mounting screw length to be adjusted. Once adjusted retighten the hex nuts and reinstall the fixture.



10. Install the E26-base bulb (sold separately) into the socket of the fixture.
Note: Fixture is compatible with any E26-base LED, CFL, or incandescent bulb (60 watt max.).



11. Loosen the thumbscrews on the fixture. Lift glass shade into fixture and tighten loosened thumbscrews to secure.



12. Restore the power at the main fuse or circuit breaker and wall switch.

Assembly is complete.

TROUBLESHOOTING

If you have difficulty operating your new light fixture, or have difficulty with installation, please contact Customer Service : 1-877-706-3267, 8 a.m. - 5 p.m. Central Time.

WARNING: Ensure the power is turned off to the light fixture before performing any maintenance.

PROBLEM	SUGGESTED REMEDY
1. Fixture does not light up.	1. Ensure power is on at the wall switch and fuses or circuit breakers. . 2. Check wire connections. 3. Replace the bulb.

WARRANTY

1-YEAR LIMITED WARRANTY

To obtain service, please contact Customer Service:
1-877-706-3267, 8 a.m. - 5 p.m. Central Time.

Model Name: 1-Light Pendant Light
Model No: 51546

The manufacturer warrants all of its light fixtures against defects in materials and workmanship for one (1) year from the date of purchase. If within this period the product is found to be defective, take a copy of the bill of sale as a proof of purchase and the product in its original carton to the place of purchase. The manufacturer will, at its option, repair, replace or refund the purchase price to the consumer. All costs of installation and removal of the fixture is the responsibility of the consumer. This warranty does not cover fixtures becoming defective due to misuse, accidental damage or improper handling and/or installation and specifically excludes liability for direct, incidental or consequential damages. As some states do not allow exclusions of limitations on an implied warranty, the above exclusion and limitation may not apply. This warranty gives you specific rights and you may also have other rights which may vary from state to state.