

Engineering Specification

Job Name _____

Contractor _____

Job Location _____

Approval _____

Engineer _____

Contractor's P.O. No. _____

Approval _____

Representative _____

Air Gaps, Elbows, and Test Cocks

For Reduced Pressure Zone Assemblies

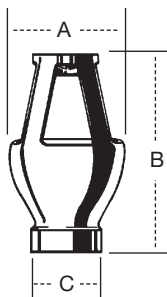
Air Gaps

Ames Air Gap Drain is designed to collect water that is being discharged by the relief valve, due to minor check valve fouling and/or to line pressure fluctuations.

Ames 400/500
Air Gap
2 1/2" - 10"



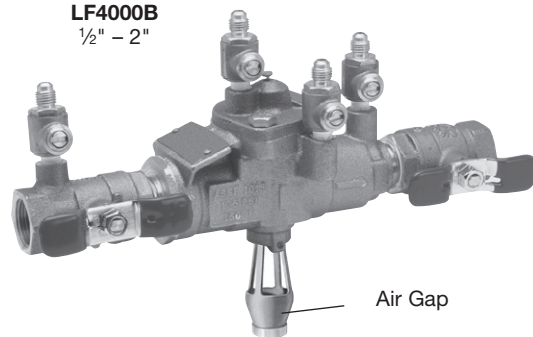
Splash Guard



Approvals

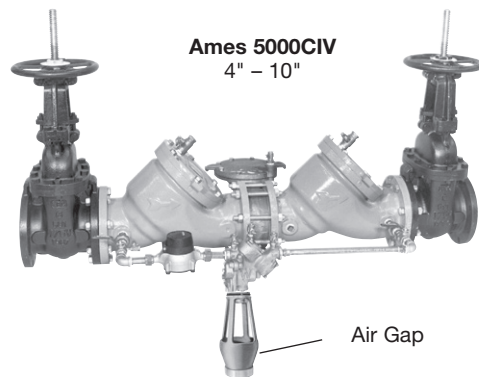
ANSI/ASME A112.1.2

Ames 4000B/
LF4000B
1/2" - 2"



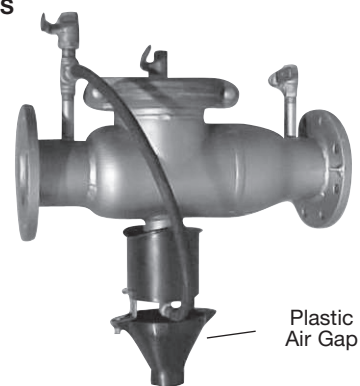
Air Gap

Ames 5000CIV
4" - 10"



Air Gap

Ames 4000SS
2 1/2" - 10"



Plastic Air Gap

ORDERING CODE	SIZE/SERIES	DIMENSIONS						WEIGHT	
		A		B		C		lb	kg
		in.	mm	in.	mm	in.	mm		
7014267	1/2", 3/4" 4000B/LF4000B	2 3/8	60	3 1/8	79	1/2	13	0.63	0.28
0691853	1", 1 1/4", 1 1/2" 4000B/LF4000B	3 1/4	83	4 7/8	124	1	25	1.50	0.68
0691866	2" 4000B/LF4000B	4 3/8	111	6 3/4	171	2	51	3.25	1.47
0691842	2 1/2" - 10" 4000SS/5000SS	8	203	11 1/4	286	2	51	1.50	0.68
7017299	4" - 10" 4000CIV	6 3/8	162	9 5/8	244	3	76	6.25	2.83
0690511	2 1/2" - 6" 4000SS vertical	8	203	9 1/4	235	2 3/4	70	10.3	4.67
7019628	2 1/2" - 10" 400/500 w/Splash Guard	7 1/2	190	12	304	2	51	1.5	0.68
0064661	3/4"-1" 400B AG	2 3/8	60	3 1/8	79	1/2	13	0.63	0.28
0064662	1 1/4"-2" 400B AG	4 3/8	111	8 1/2	216	2	51	3.5	1.6
0881393	2" 4000B	3 3/8	83	4 1/2	114	-	-	3.7	1.68
0881394	1" - 1 1/2" 4000B	2 3/8	60	5 3/4	133	-	-	1.8	0.82
7019629	2 1/2" - 10" AG w/L-shaped SS Brackets	7 1/2	190	-	-	-	-	-	-

NOTICE

The air gap drain is not designed to collect the full discharge capacity of the relief valve.

NOTICE

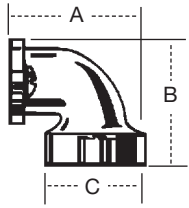
The information contained herein is not intended to replace the full product installation and safety information available or the experience of a trained product installer. You are required to thoroughly read all installation instructions and product safety information before beginning the installation of this product.

Ames Fire & Waterworks product specifications in U.S. customary units and metric are approximate and are provided for reference only. For precise measurements, please contact Ames Fire & Waterworks Technical Service. Ames Fire & Waterworks reserves the right to change or modify product design, construction, specifications, or materials without prior notice and without incurring any obligation to make such changes and modifications on Ames Fire & Waterworks products previously or subsequently sold.



Vent Elbows

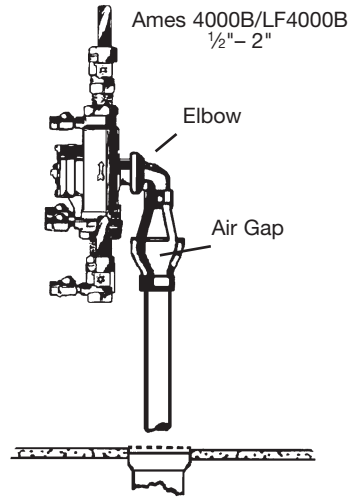
Used with Ames air gaps for vertical installation of Reduced Pressure Zone assemblies.



NOTICE

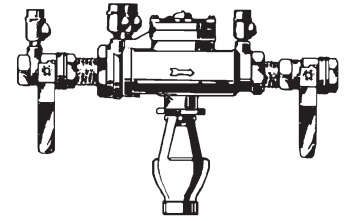
Not all RPZ assemblies have certification for vertical installation. Inquire with governing authorities for local installation allowances.

ORDERING CODE	SIZE/SERIES	DIMENSIONS			WEIGHT	
		A <i>in. mm</i>	B <i>in. mm</i>	C <i>in. mm</i>	<i>lb</i>	<i>kg</i>
7012798	1/2" - 3/4" 4000B/LF4000B	-	-	-	-	-
7012799	1", 1 1/4", 1 1/2" 4000B/LF4000B	2 3/8 60	2 3/8 60	-	0.38	0.17
7016586	2" 4000B/LF4000B	3 5/8 92	3 5/8 92	-	2.0	0.91



Vertical (Up) Installation

Use the elbow as shown when vertical installation is allowed.



Horizontal Installation

Screws are used to attach the air gap to the relief valve outlet of Series 4000B backflow assembly.

Installation Elbows

Cast Iron Elbow Kits — For N pattern
Colt and Maxim Series 200, 300

LEAD FREE*	ORDERING CODE	SIZE
	7018541	6"

Kits consist of *(2) grv x grv elbows and (2) Groove Couplers

Cast Iron Elbow Kits — For N and Z pattern
Colt and Maxim Series 400, 500

LEAD FREE*	ORDERING CODE	SIZE
	7018546	4"

Kits consist of *(2) grv x grv elbows and (2) Groove Couplers

Cap and Tether

Plastic cap and tether

(Four required per backflow preventer)

- Fits 1/4" female test cocks
- Plastic dust cap and rubber tether
- ARK-TC/Ames — 1/8" - 1/4" (7017626)



SAE Brass cap, O-ring, and tether

(Four required per backflow preventer)

- Fits 1/8" male x SAE test cocks
- Brass dust cap with O-ring seal and rubber tether
- ARK-SAE-TC/Ames (7017249)



Test Cock Adapter

SAE-TC Adapter/Ames

- 1/4" female SAE x 7/16" FPT
- Adapts to SAE-TC for use with pressure gauges or site tube
- SAE-TC Adapter/Ames (7017627) (not shown)

Test Cocks

For use with backflow preventers, isolation valve for gauges, isolation valves for small equipment lines. Lead Free* models available.

TC/Ames

- Full port ball valve design
- Screw driver slot to open and close
- Available 1/8" male x 1/4" female — 1/8" TC/Ames (7017250) or 1/4" male x 1/4" female — 1/4" LFTC/Ames (0425363)



SAE-TC/Ames

- Full port ball valve design
- Screwdriver slot operation
- 1/8" male x SAE — LFSAE TC/Ames (0425362)



1/2" TC Kit for Ames Colt/Maxim Series

- Fits 2 1/2"-4" Colt/Maxim Series
- Ordering code 7018394

3/4" TC Kit for Ames Colt/Maxim Series

- Fits 6"-10" Colt/Maxim Series
- Ordering code 7018395



A WATTS Brand