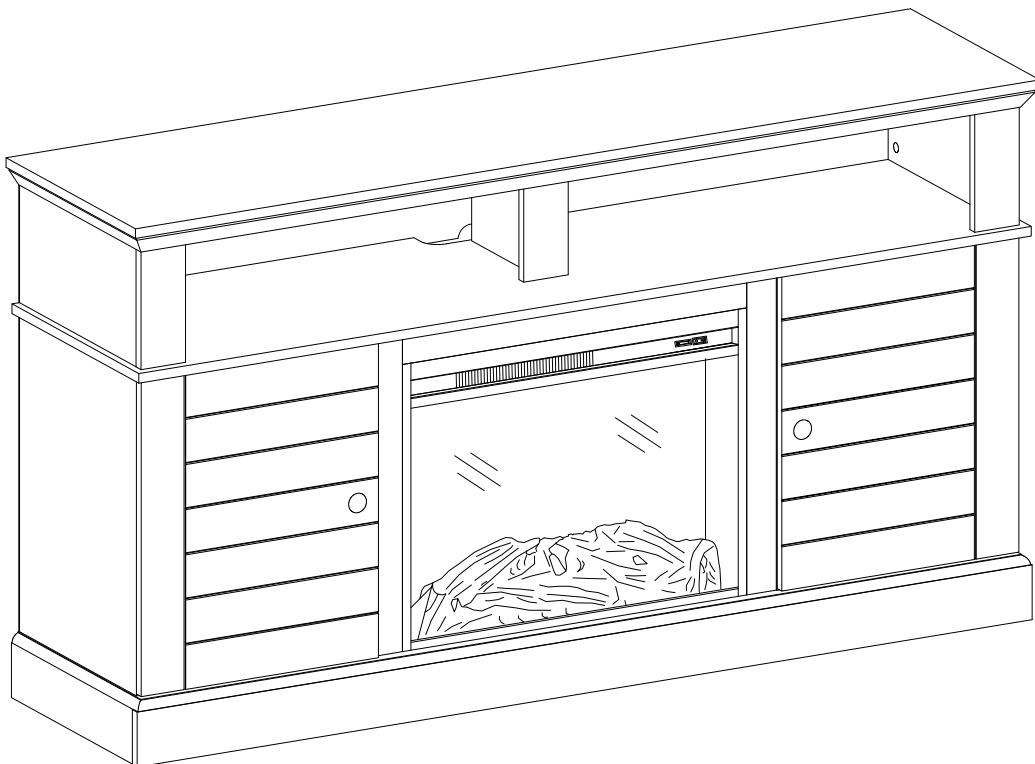


**VERSANORA**

**60IN FIREPLACE TV STAND WITH 23IN INSERT W/ REMOTE**

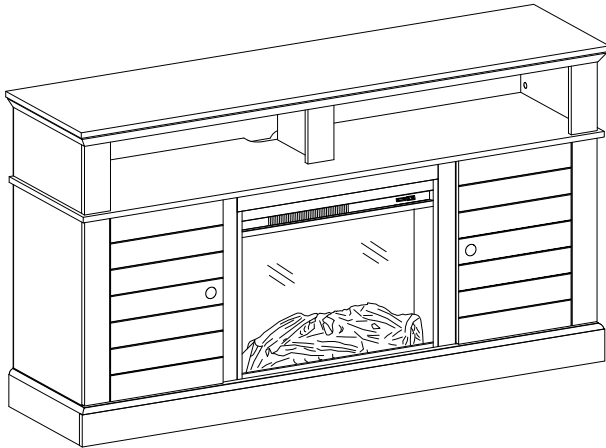
**VNF-00101**

**TIME SAVER!**  
3D Interactive Instruction



MANUFACTURER: TEAMSON HOME/VERSANORA

MODEL #: VNF00101 60in Fireplace TV stand with 23in insert w/ remote

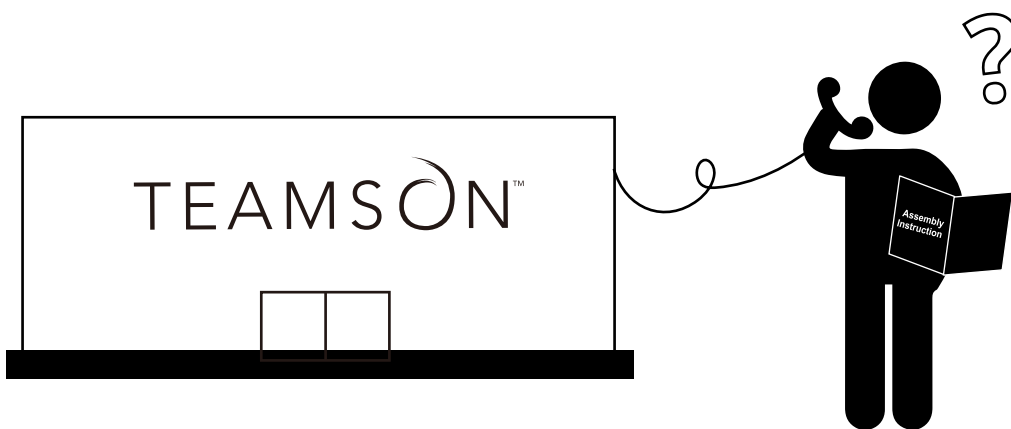
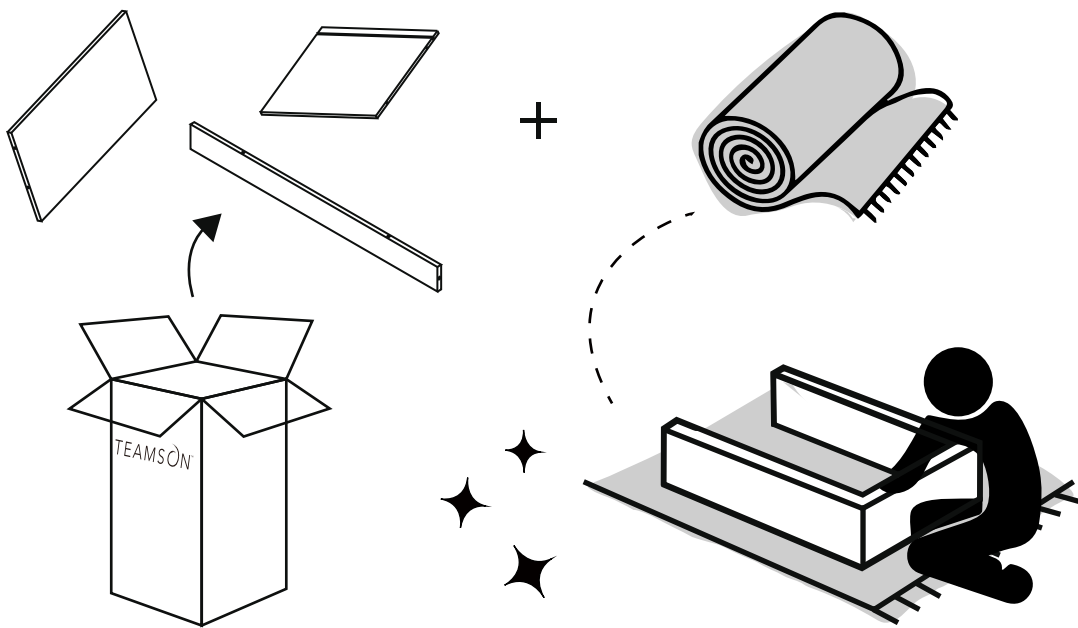
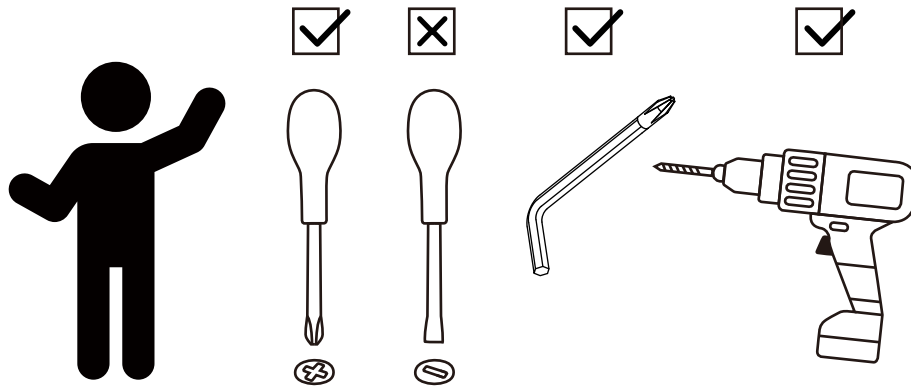


TOP PANEL FITS UP TO MOST 65in/165.1cm  
DIAGONAL FLAT PANEL TVS  
MAXIMUM LOAD 80lb/ 36.3kg.

SHELF MAXIMUM LOAD 22.7 kg / 50 lb

**WARNING**

THIS UNIT IS NOT INTENDED FOR USE WITH CRT TVS. USE ONLY WITH FLAT PANEL TVS AND AUDIO/VIDEO EQUIPMENT MEETING RECOMMENDED SIZE AND WEIGHT LIMITS. NEVER USE WITH LARGER/HEAVIER THAN RECOMMENDED FLAT PANEL TVS OR EQUIPMENT. TO AVOID INSTABILITY, PLACE FLAT PANEL TV IN THE CENTER OF THE UNIT; THE BASE OF THE TELEVISION MUST BE ABLE TO REST ON THE SUPPORTING SURFACE OF THE UNIT WITHOUT OVER-HANGING THE EDGES. IMPROPERLY POSITIONED FLAT PANEL TVS, OR FLAT PANEL TVS INCLUDING OTHER EQUIPMENT THAT EXCEED RECOMMENDED SIZE AND WEIGHT LIMITS COULD FALL OFF OR BREAK THE UNIT, CAUSING POSSIBLE SERIOUS INJURY. FOR USE WITH TELEVISIONS WEIGHING 80 LBS (36.3 KG) OR LESS. USE WITH HEAVIER TELEVISIONS MAY RESULT IN INSTABILITY CAUSING TIP OVER RESULTING IN DEATH OR SERIOUS INJURY.



\*\* Got questions? Please have your product code (on the first page of this instruction, e.g. TD-12345A) and the order number ready, give us a call or email us through our customer care support! We are always ready to assist you!

# TEAMSON HOME



Warranty sign up

[www.teamsonhome.com](http://www.teamsonhome.com)

Serving you well gives us great joy!

**USA . . . . +1(800)935-3959**

Mon - Fri 10:00am ~ 2:00pm EST

✉ [support@teamson.com](mailto:support@teamson.com)

**EU . . . . . +44(0)1952-916-050**

Mon - Thu 9:00am ~ 5:00pm GMT

Friday 9:00am ~ 4:00pm GMT

✉ [support@teamson.co.uk](mailto:support@teamson.co.uk)

**ASIA . . . . 深圳办公室:**

**+86(0755)8885-3558.分机号108**

Mon - Sat 9:00am ~ 5:00pm GMT+8

✉ [sales\\_ec@teamson.com](mailto:sales_ec@teamson.com)

台北办公室:

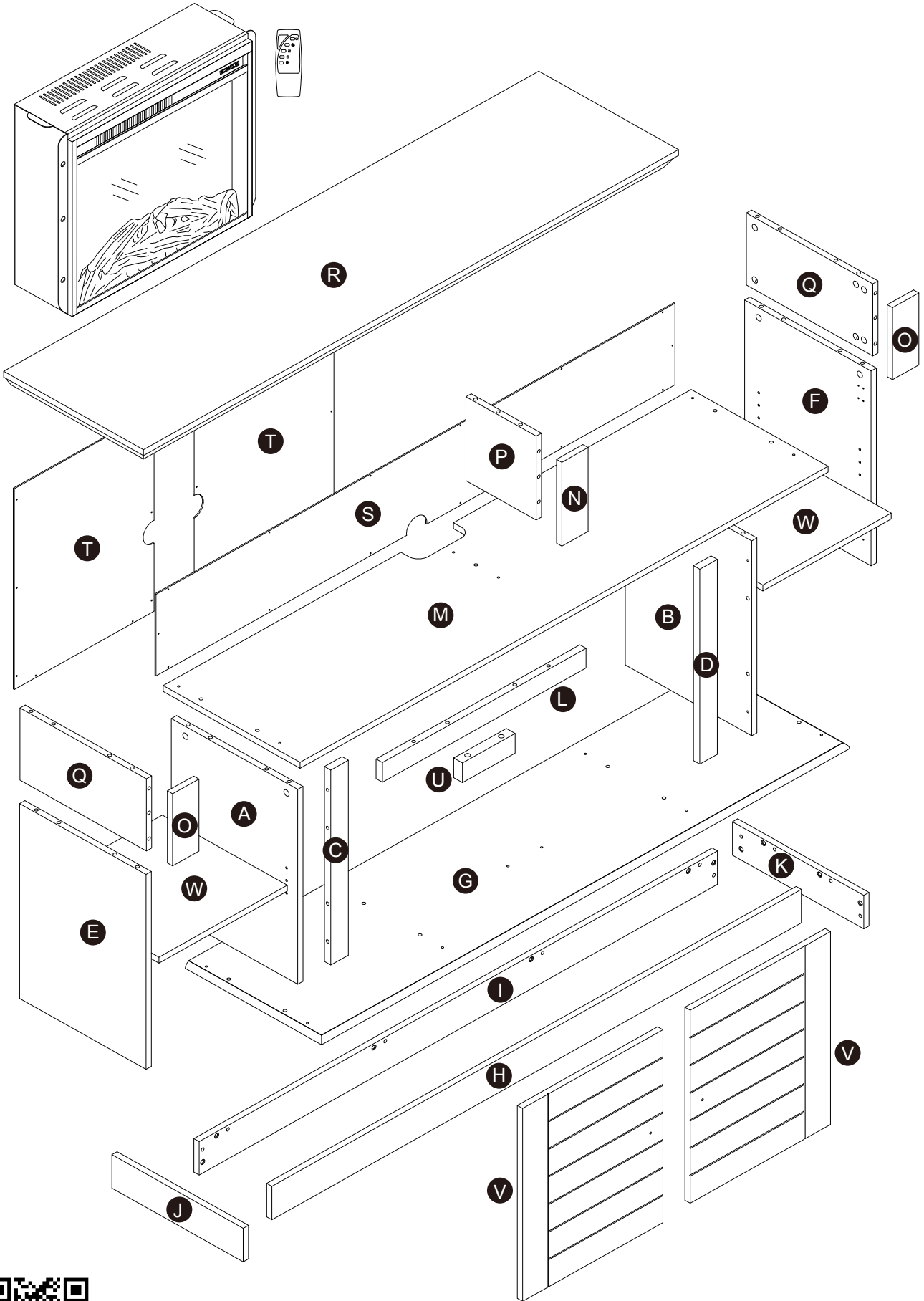
**+886(2)2556-6268**

Mon - Fri 9:00am ~ 5:00pm GMT+8

✉ [sales\\_ec@teamson.com](mailto:sales_ec@teamson.com)

Thank you for choosing Teamson Home

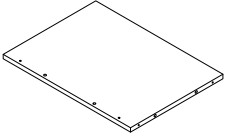
# Exploded Drawing



← **Questions?**  
Scan Here

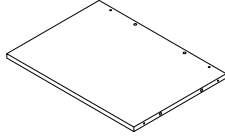
# Product Parts

A



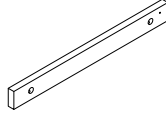
1 PC

B



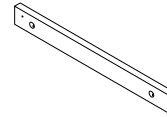
1 PC

C



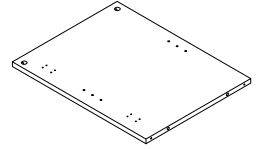
1 PC

D



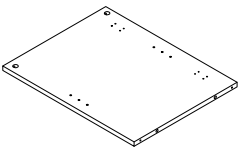
1 PC

E



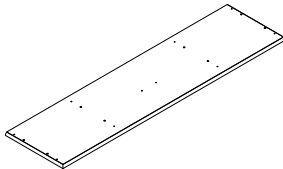
1 PC

F



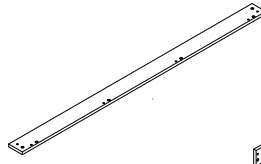
1 PC

G



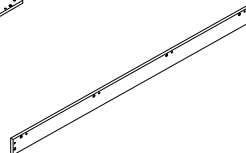
1 PC

H



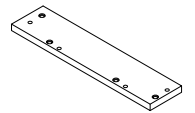
1 PC

I



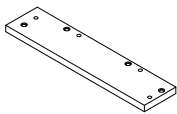
1 PC

J



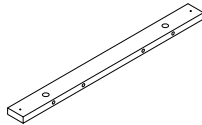
1 PC

K



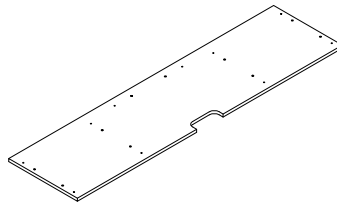
1 PC

L



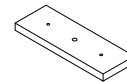
1 PC

M



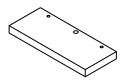
1 PC

N



1 PC

O



2 PCS



**Questions?**  
Scan Here

## ⚠ Care Instructions

Dust surface with a dry soft cloth.

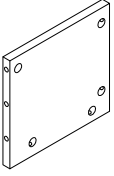
Do not use window cleaners or cleaning abrasives as they will scratch the surface and could damage the protective coating

## ⚠ WARNING

Small parts and sharp edges may be present prior to assembly.

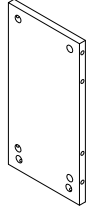
## Product Parts

P



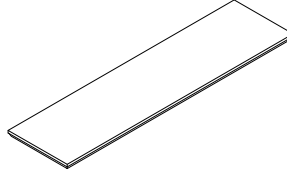
1 PC

Q



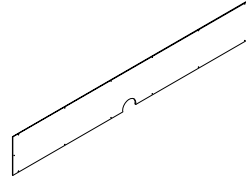
2 PCS

R



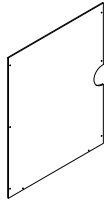
1 PC

S



1 PC

T



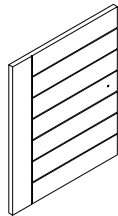
2 PCS

U



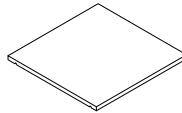
1 PC

V

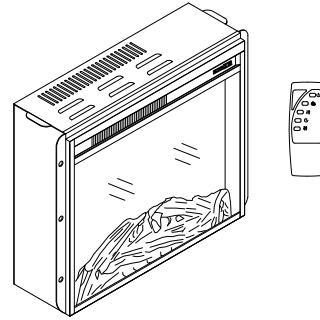


2 PCS

W



2 PCS



**Questions?**  
Scan Here

### ⚠ Care Instructions

Dust surface with a dry soft cloth.

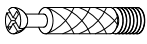
Do not use window cleaners or cleaning abrasives as they will scratch the surface and could damage the protective coating

### ⚠ WARNING

Small parts and sharp edges may be present prior to assembly.

# Hardware

1



Φ6\*35mm

32+2 pcs

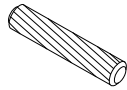
2



Φ15\*12

32+2 pcs

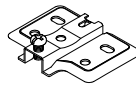
3



Φ8\*30mm

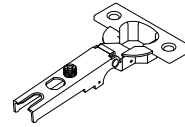
35+2 pcs

4



4 pcs

5



4 pcs

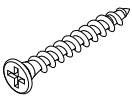
6



Φ3.5\*12mm

24+2 pcs

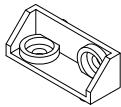
7



Φ5\*35mm

8+1 pcs

8



16+1 pcs

9



1/4"\*15

32+2 pcs

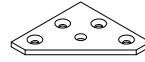
10



Φ4mm

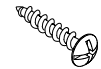
1 pc

11



2 pcs

12



Φ3\*15mm

8+1 pcs

13



1/4"\*15

2 pcs

14



2 pcs

15



Φ3\*12mm

4 pcs

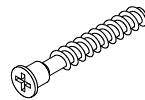
16



Φ3\*15mm

30+2 pcs

17



Φ6\*50mm

2 pcs

18



2 pcs

19



M4\*22

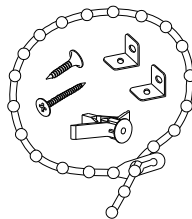
2 pcs

20



Φ8\*16

8+1 pcs




1 SET

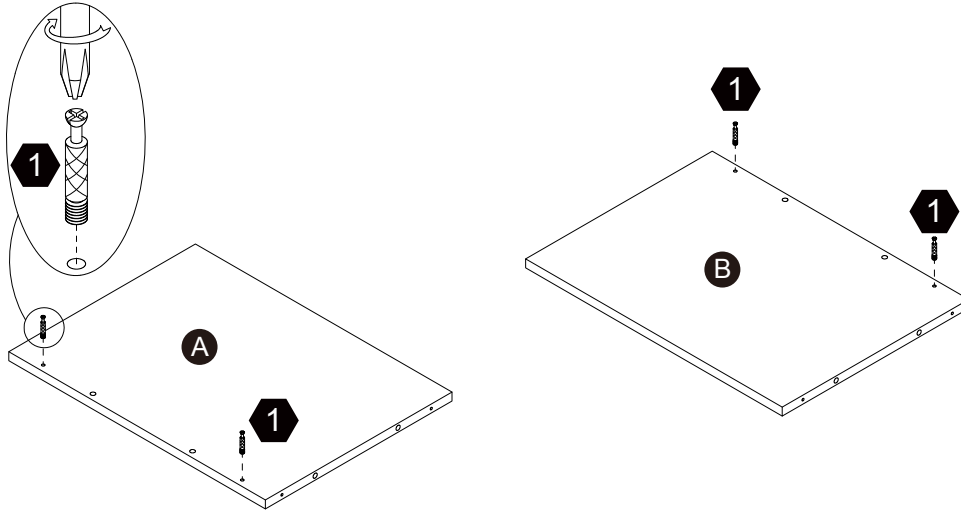


Questions?  
Scan Here



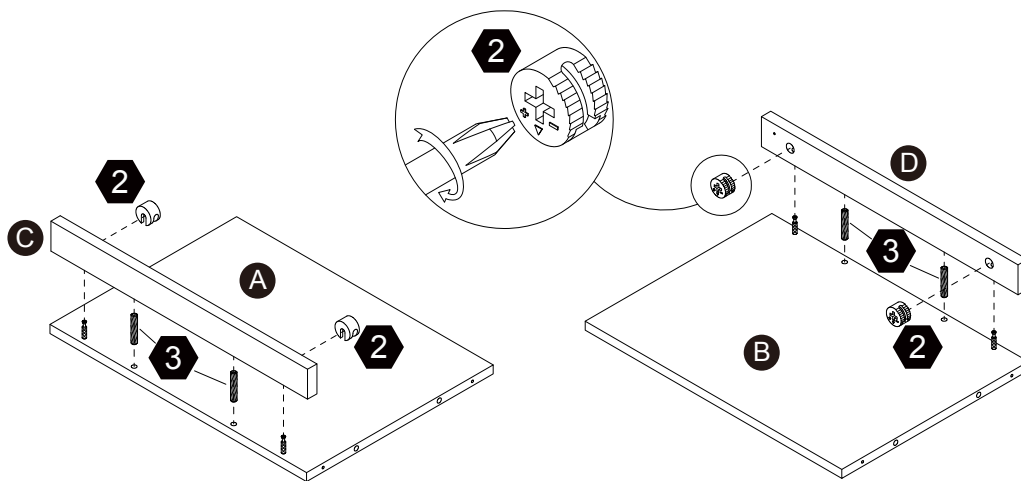
# Step 1

**1**   $\Phi 6 \times 35\text{mm}$  4 pcs



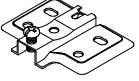
# Step 2

**2**   $\Phi 15 \times 12$  4 pcs      **3**   $\Phi 8 \times 30\text{mm}$  4 pcs

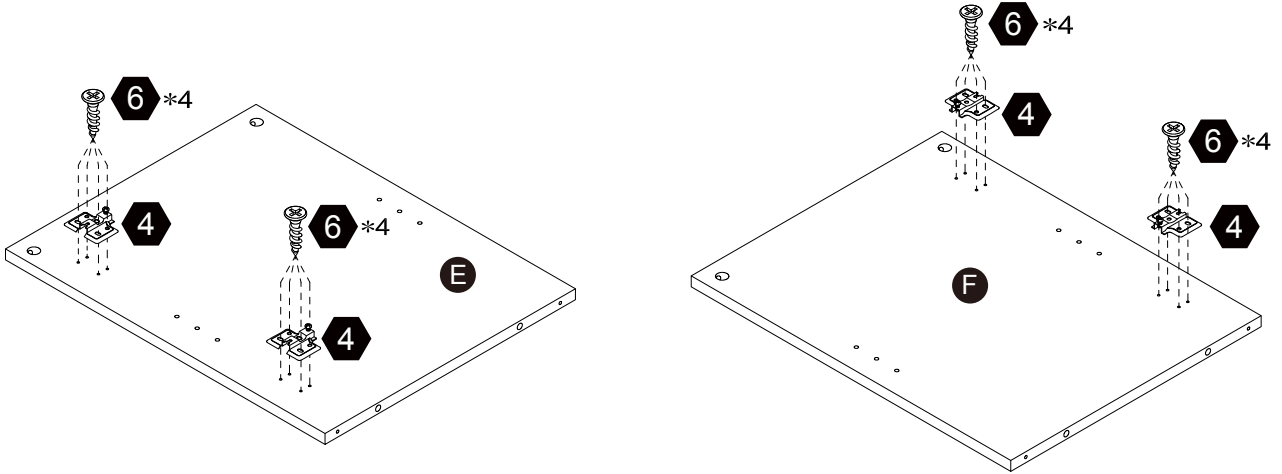


← **Questions?**  
Scan Here


## Step 3

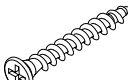
**4**  4 pcs

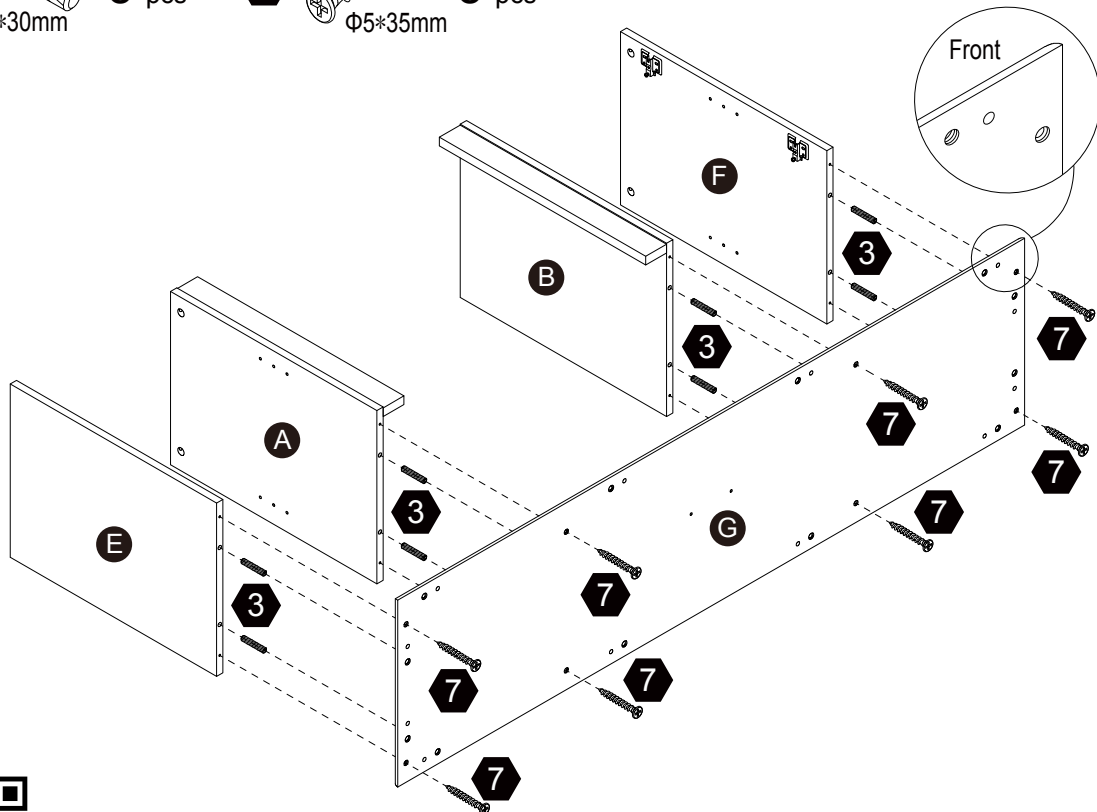
**6**   $\phi 3.5 \times 12 \text{mm}$  16 pcs



## Step 4

**3**   $\phi 8 \times 30 \text{mm}$  8 pcs

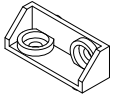
**7**   $\phi 5 \times 35 \text{mm}$  8 pcs



**Questions?**  
Scan Here

## Step 5

8



6 pcs

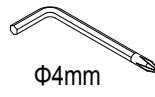
9



1/4" \* 15

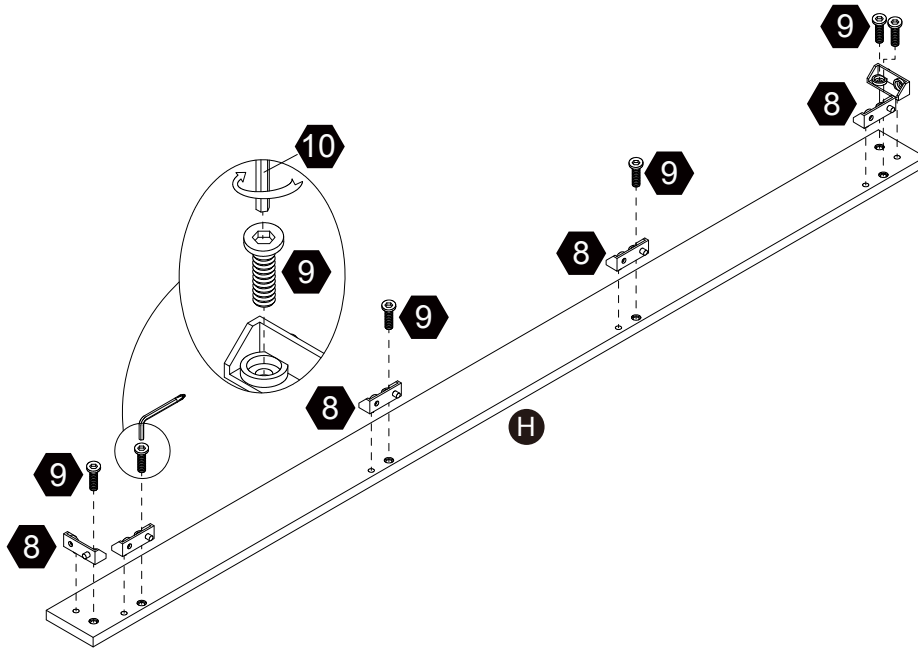
6 pcs

10



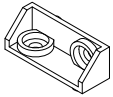
φ4mm

1 pc



## Step 6

8



6 pcs

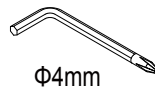
9



1/4" \* 15

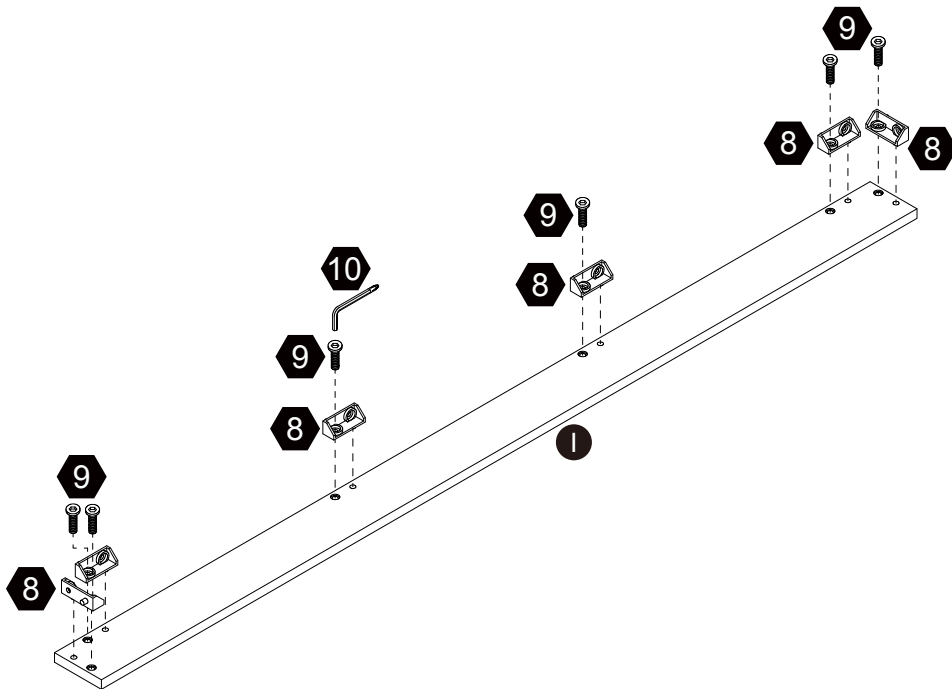
6 pcs

10



φ4mm

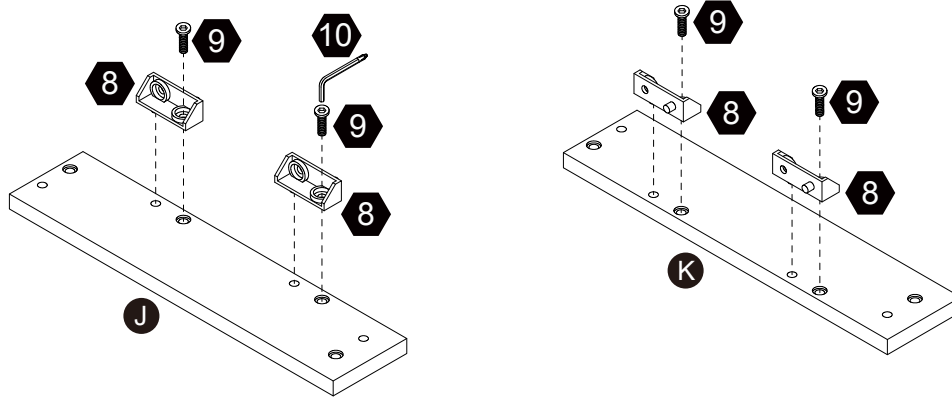
1 pc



Questions?  
Scan Here

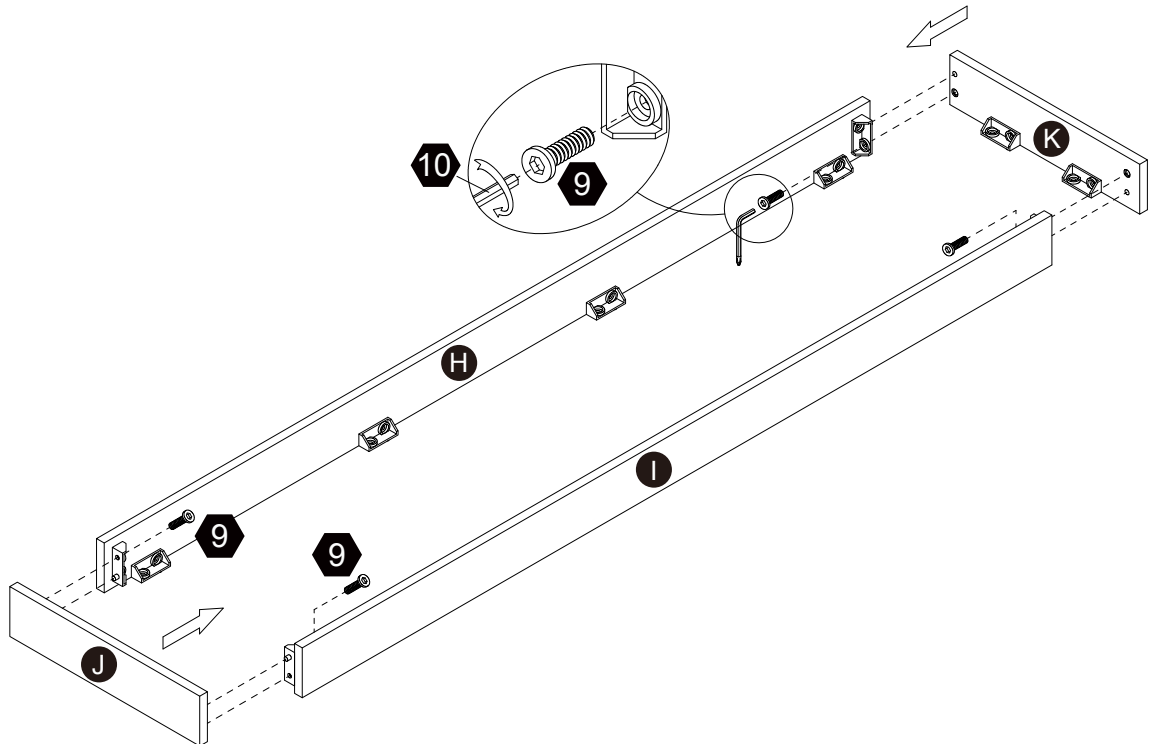
## Step 7

- 8  4 pcs    9  1/4"\*15 4 pcs    10   $\phi 4\text{mm}$  1 pc



## Step 8

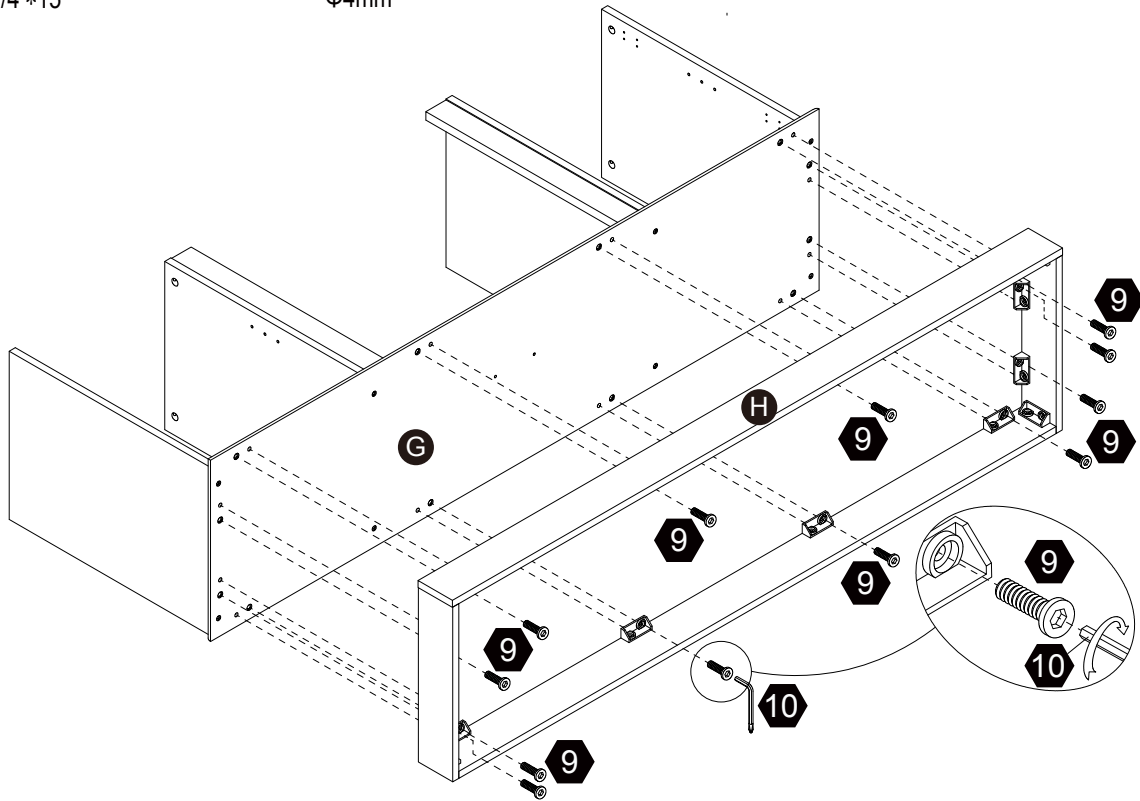
- 9  1/4"\*15 4 pcs    10   $\phi 4\text{mm}$  1 pc



Questions?  
Scan Here

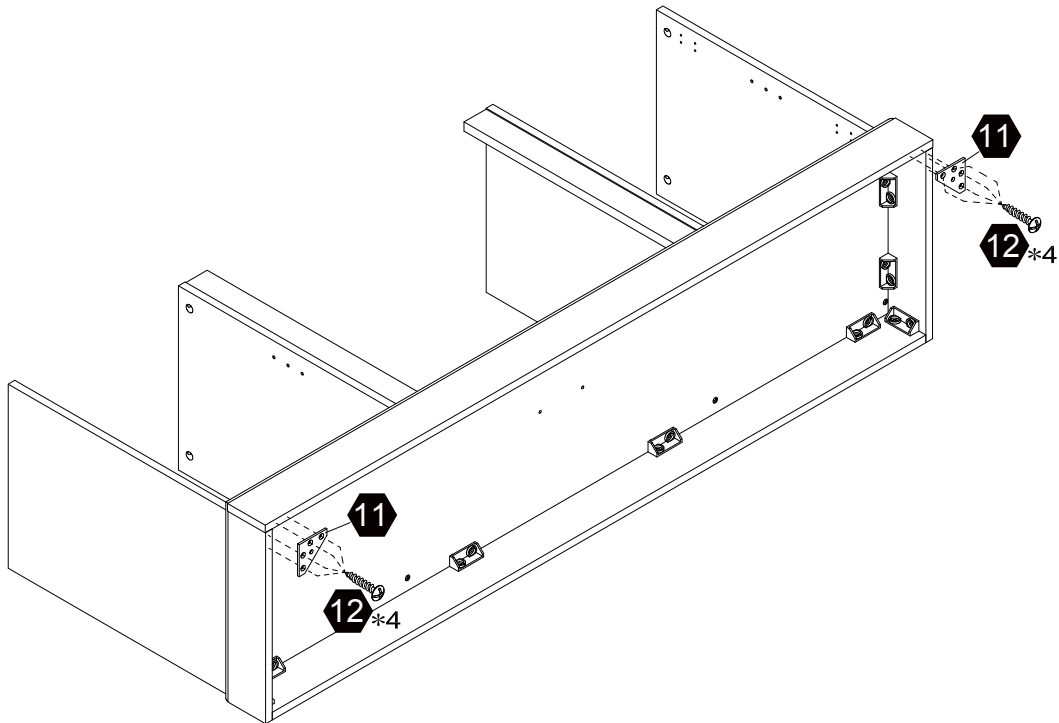
## Step 9

**9**  1/4"\*15 **12 pcs** **10**   $\phi 4\text{mm}$  **1 pc**



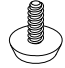
## Step 10

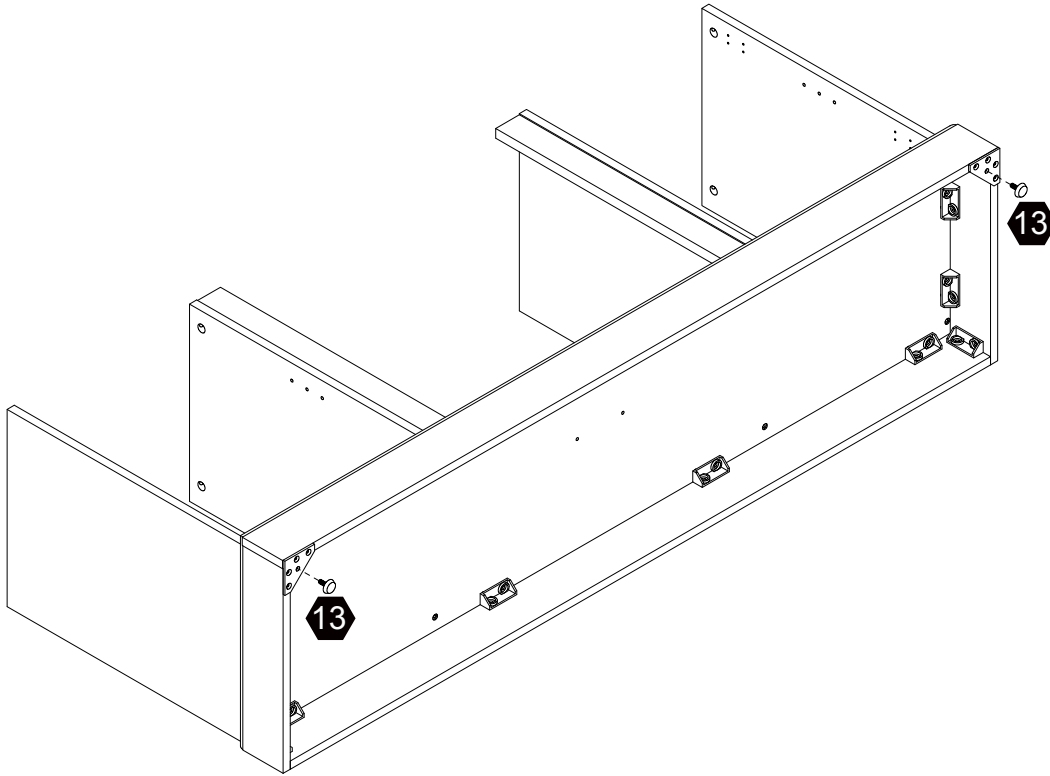
**11**  **2 pcs** **12**   $\phi 3 \times 15\text{mm}$  **8 pcs**



 **Questions?**  
Scan Here

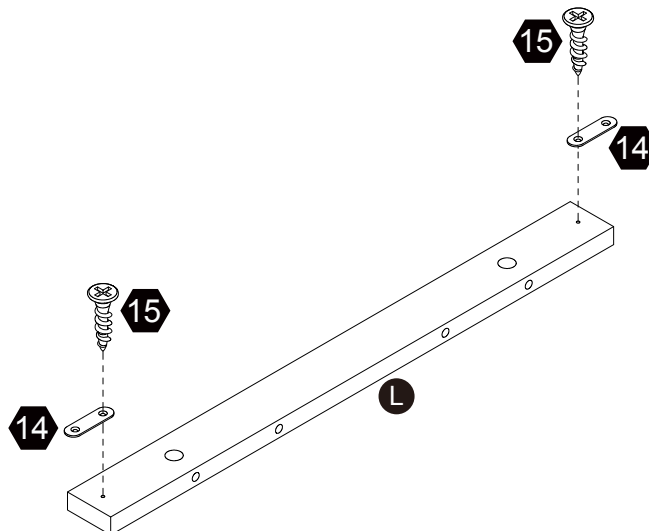
## Step 11

**13**  1/4"\*15 2 pcs



## Step 12

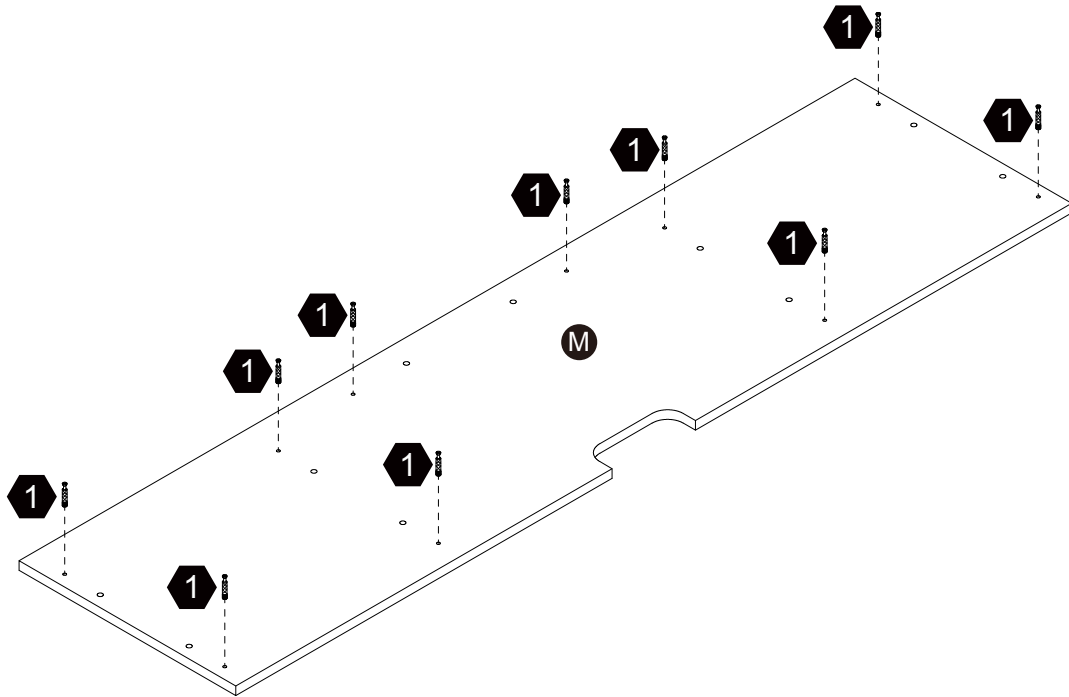
**14**  2 pcs **15**   $\Phi 3 \times 12 \text{mm}$  2 pcs



**Questions?**  
Scan Here

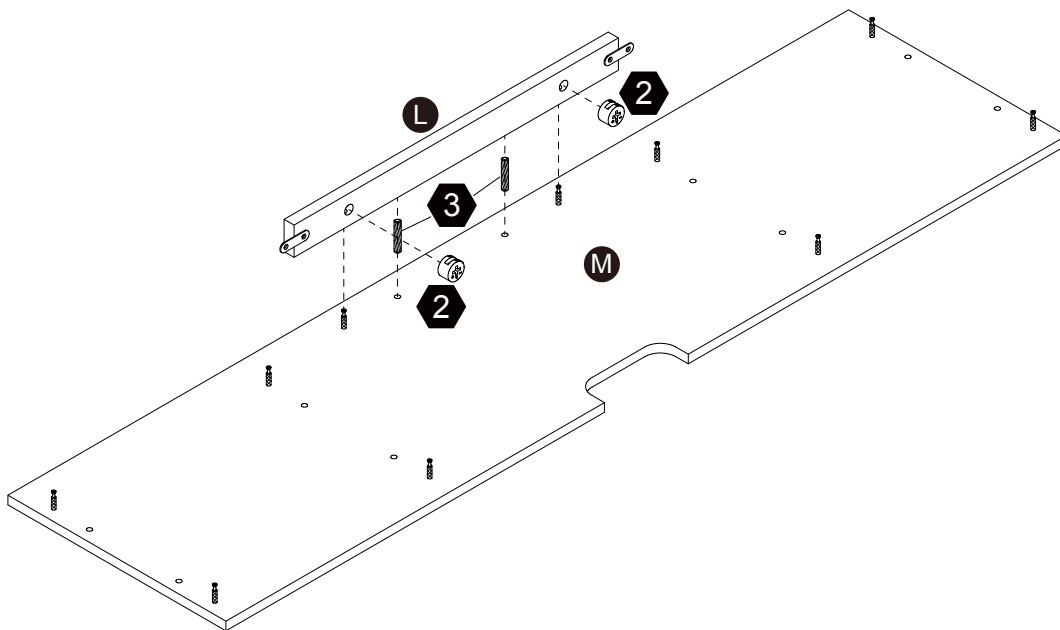
## Step 13

**1**   $\Phi 6 \times 35 \text{mm}$  10 pcs



## Step 14

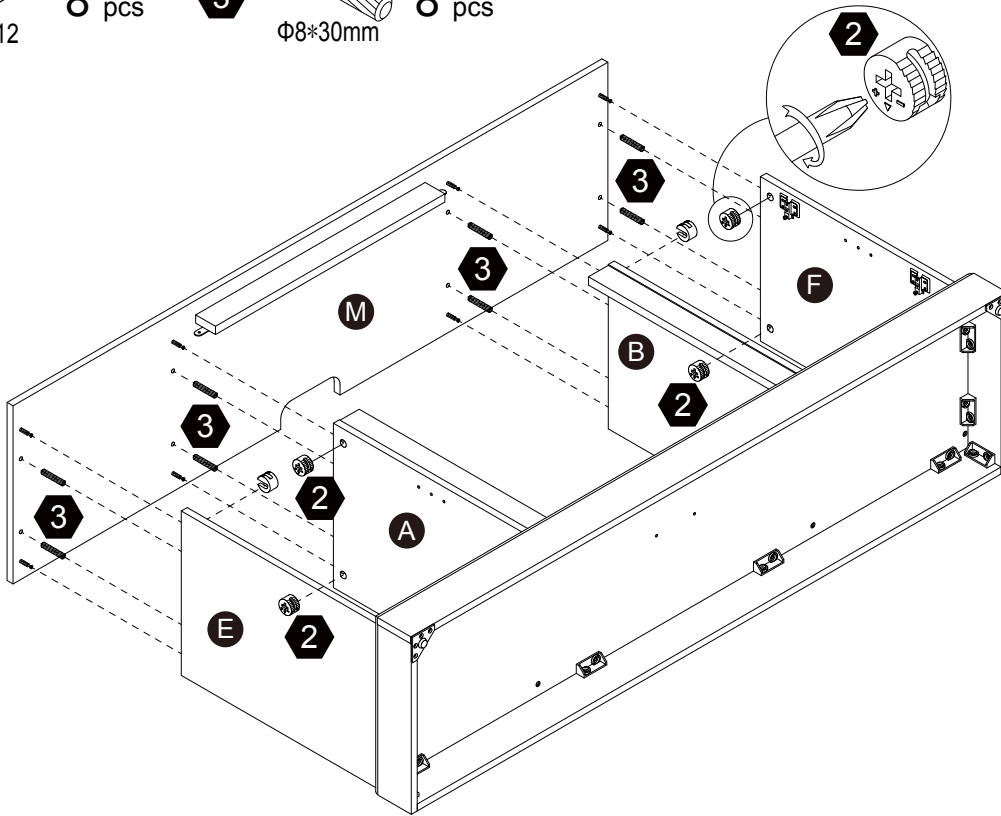
**2**   $\Phi 15 \times 12$  2 pcs      **3**   $\Phi 8 \times 30 \text{mm}$  2 pcs




 **Questions?**  
Scan Here

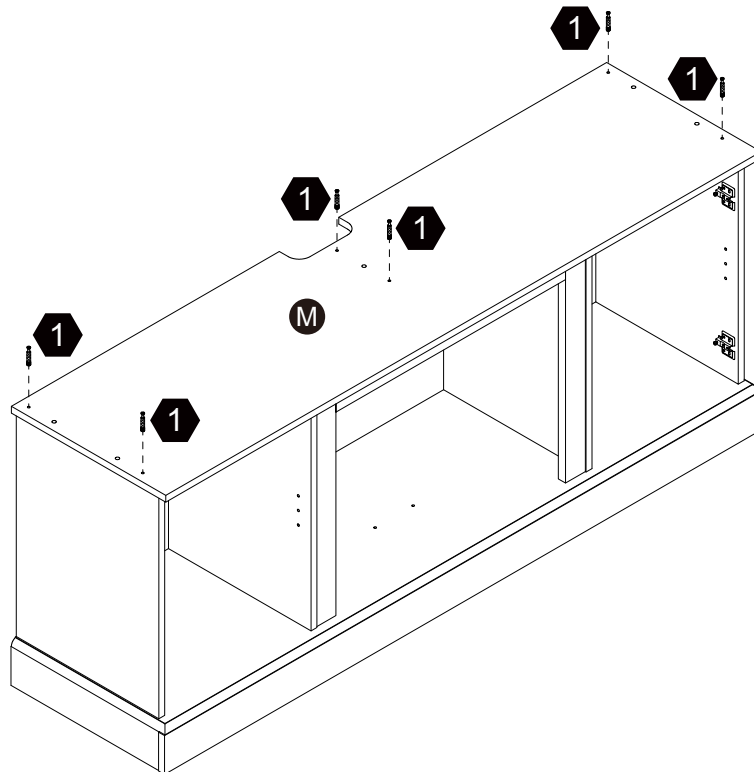
## Step 15

- 2**   $\Phi 15 \times 12$  8 pcs  
**3**   $\Phi 8 \times 30 \text{mm}$  8 pcs



## Step 16


- 1**   $\Phi 6 \times 35 \text{mm}$  6 pcs

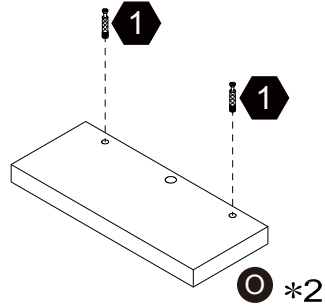
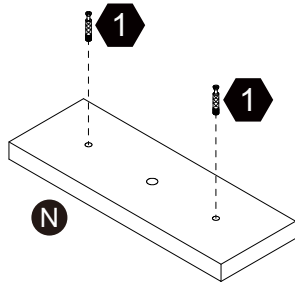


**Questions?**  
Scan Here



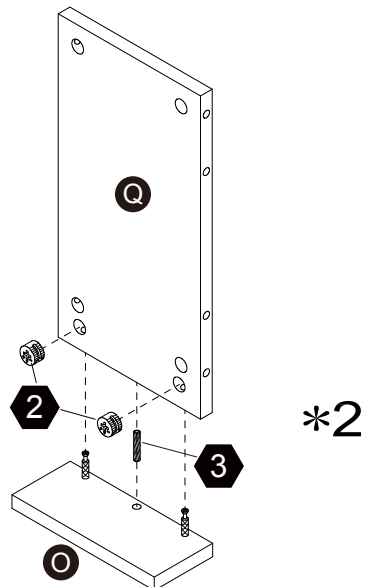
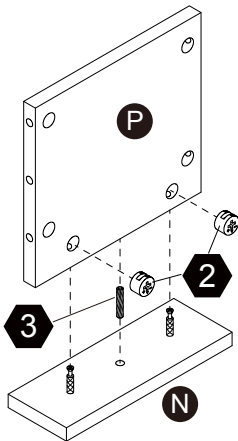
## Step 17

**1**   $\Phi 6 \times 35 \text{mm}$  6 pcs



## Step 18

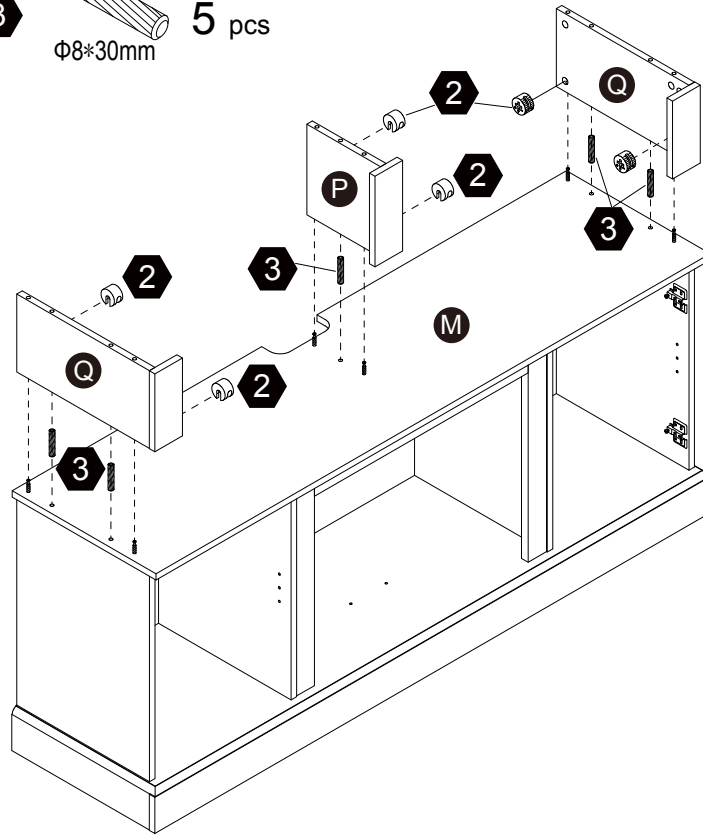
**2**   $\Phi 15 \times 12$  6 pcs      **3**   $\Phi 8 \times 30 \text{mm}$  3 pcs



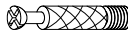
**Questions?**  
Scan Here

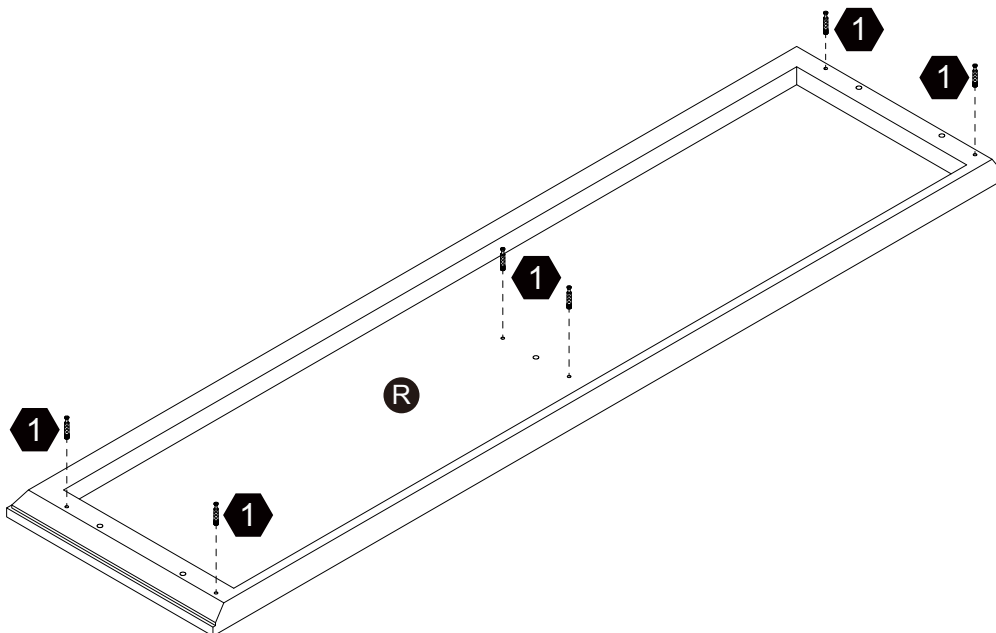
## Step 19

- 2**   $\Phi 15 \times 12$  6 pcs
- 3**   $\Phi 8 \times 30 \text{mm}$  5 pcs



## Step 20

- 1**   $\Phi 6 \times 35 \text{mm}$  6 pcs



**Questions?**  
Scan Here

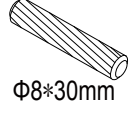
## Step 21

2

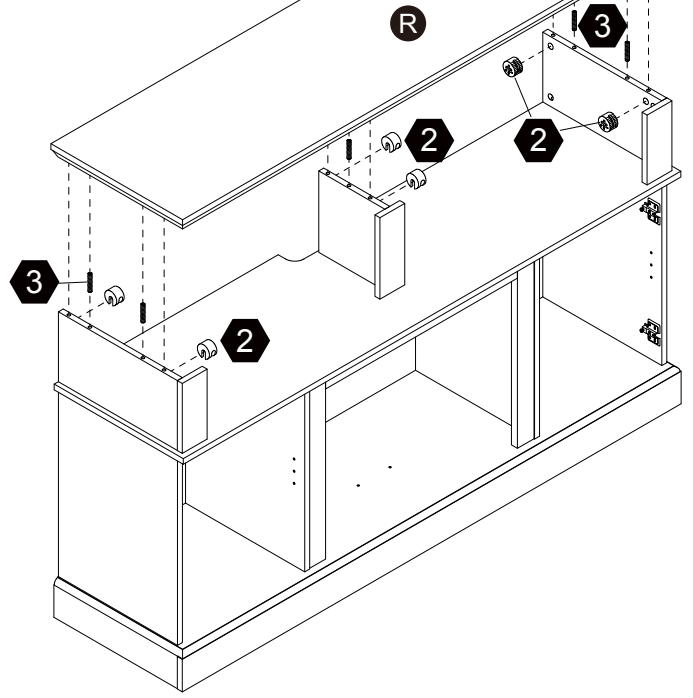


6 pcs

3



5 pcs

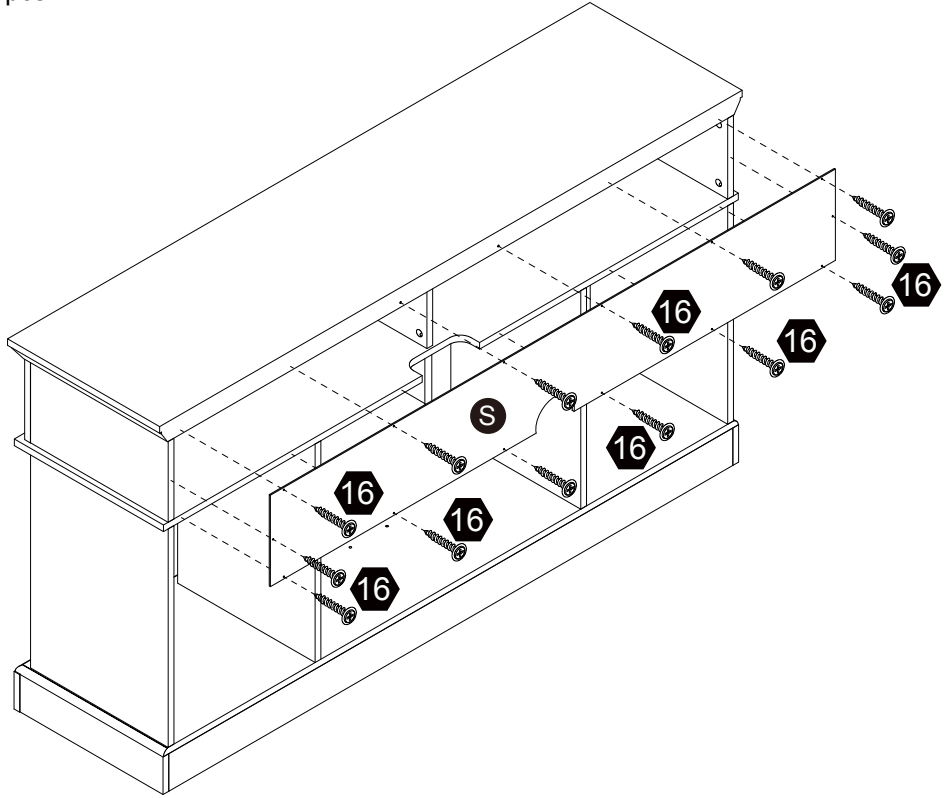


## Step 22

16



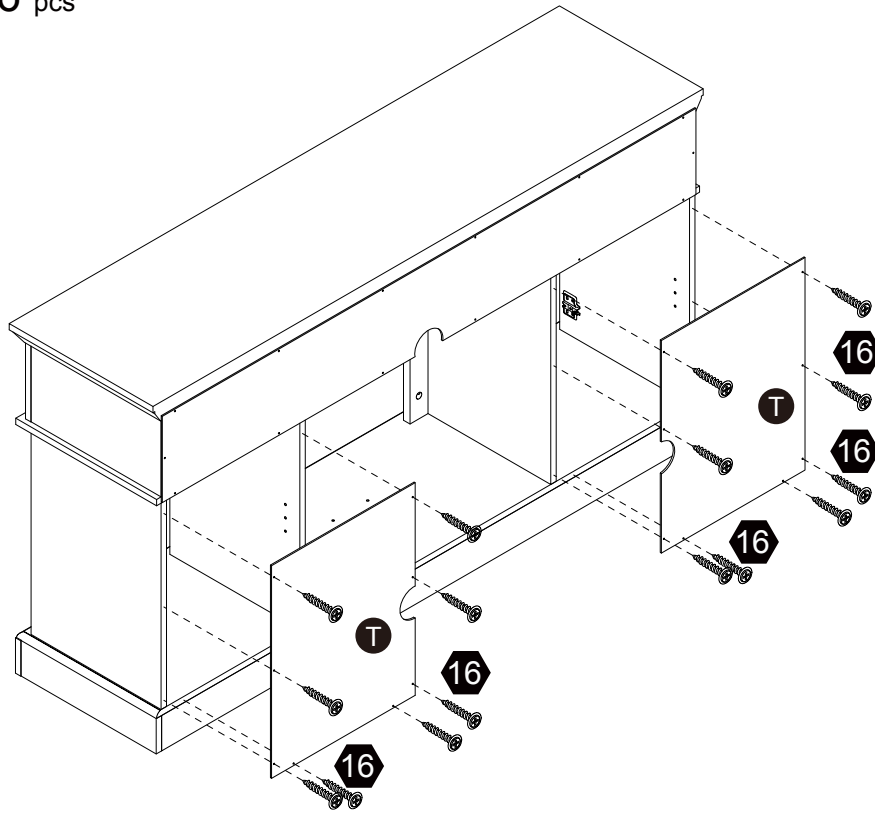
14 pcs



Questions?  
Scan Here

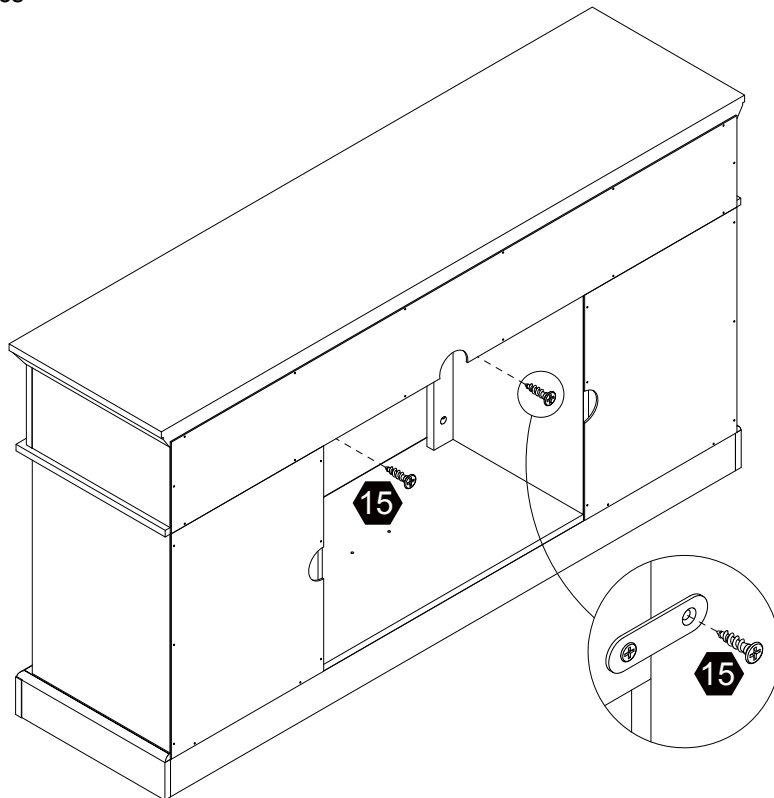
## Step 23

**16**   $\Phi 3 \times 15 \text{mm}$  16 pcs



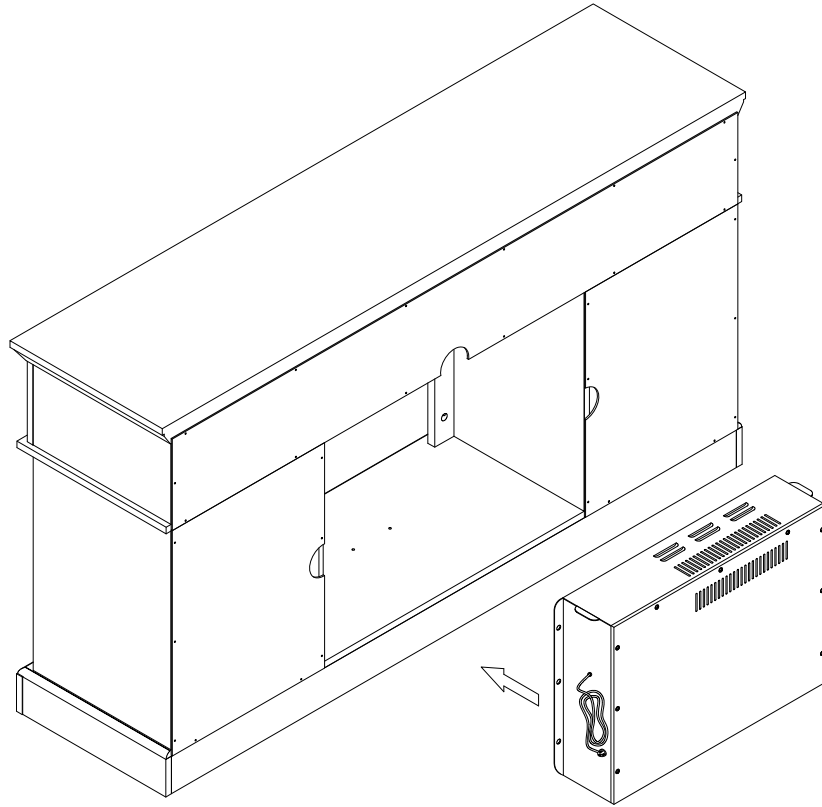
## Step 24

**15**   $\Phi 3 \times 12 \text{mm}$  2 pcs



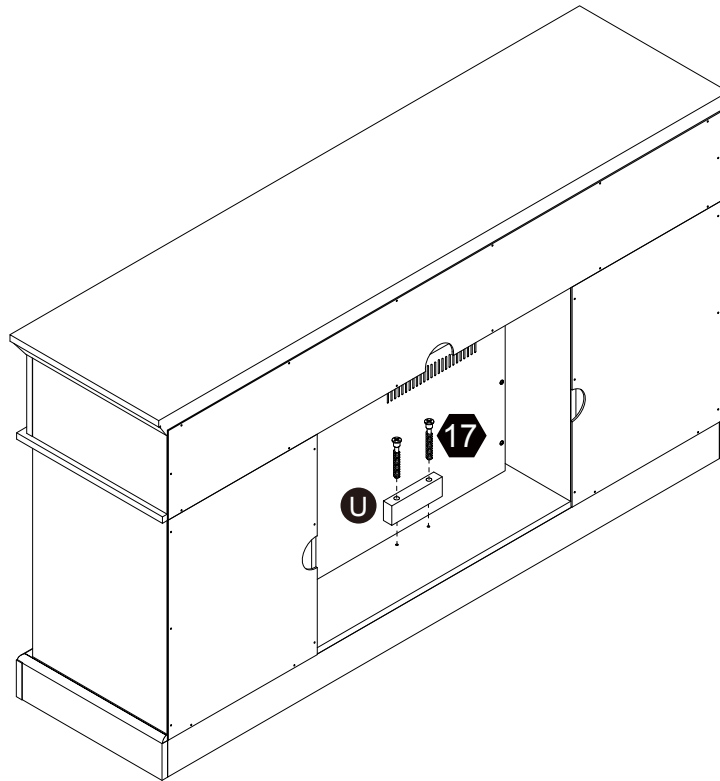
**Questions?**  
Scan Here

## Step 25



## Step 26

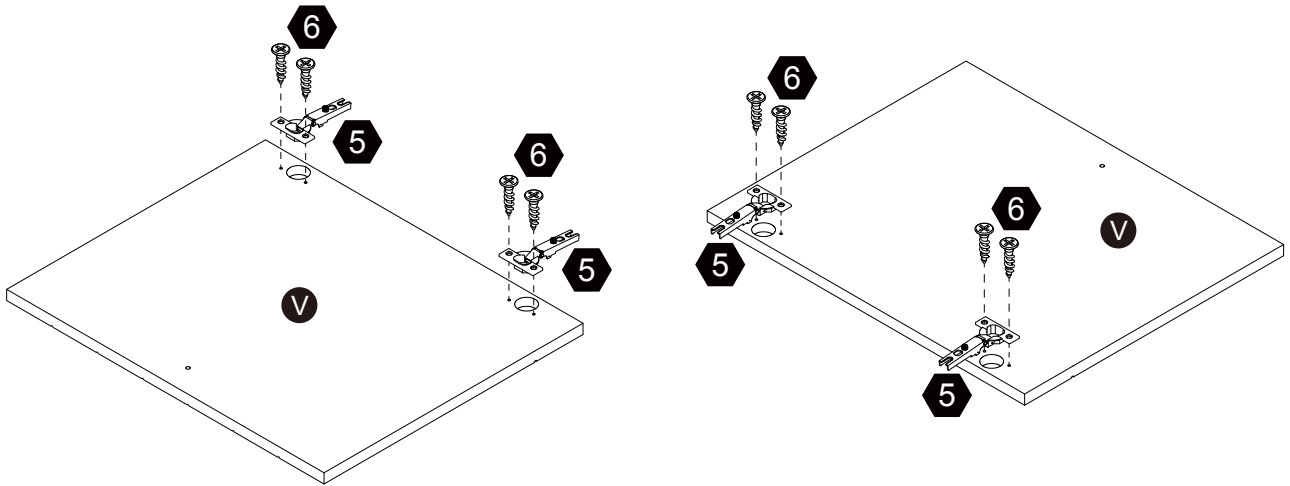
**17**  2 pcs  
Φ6\*50mm



 **Questions?**  
Scan Here

## Step 27

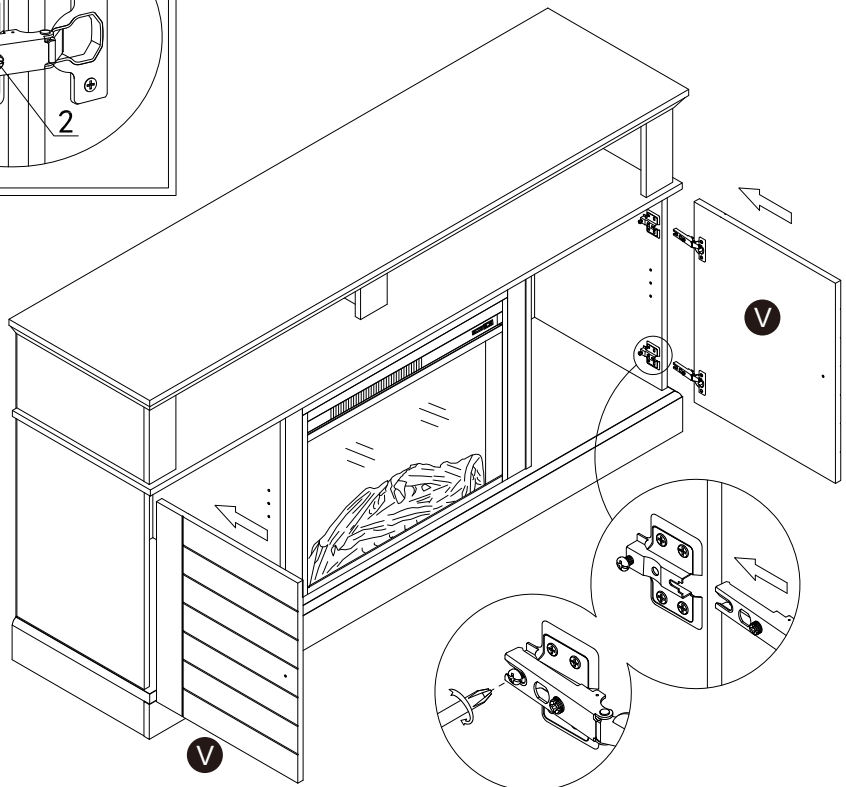
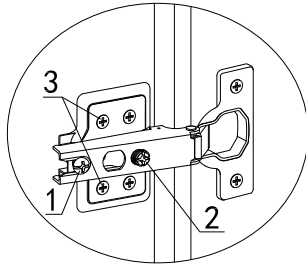
5 4 pcs 6  $\Phi 3.5 \times 12 \text{mm}$  8 pcs



## Step 28

Three-way adjustable hinge for perfectly aligned doors

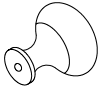
1. TO ADJUST DOOR FORWARD OR BACKWARD.
2. TO ADJUST DOOR TO RIGHT OR TO LEFT.
3. TO ADJUST DOOR UP OR DOWN.



Questions?  
Scan Here

## Step 29

18



2 pcs

19



M4\*22

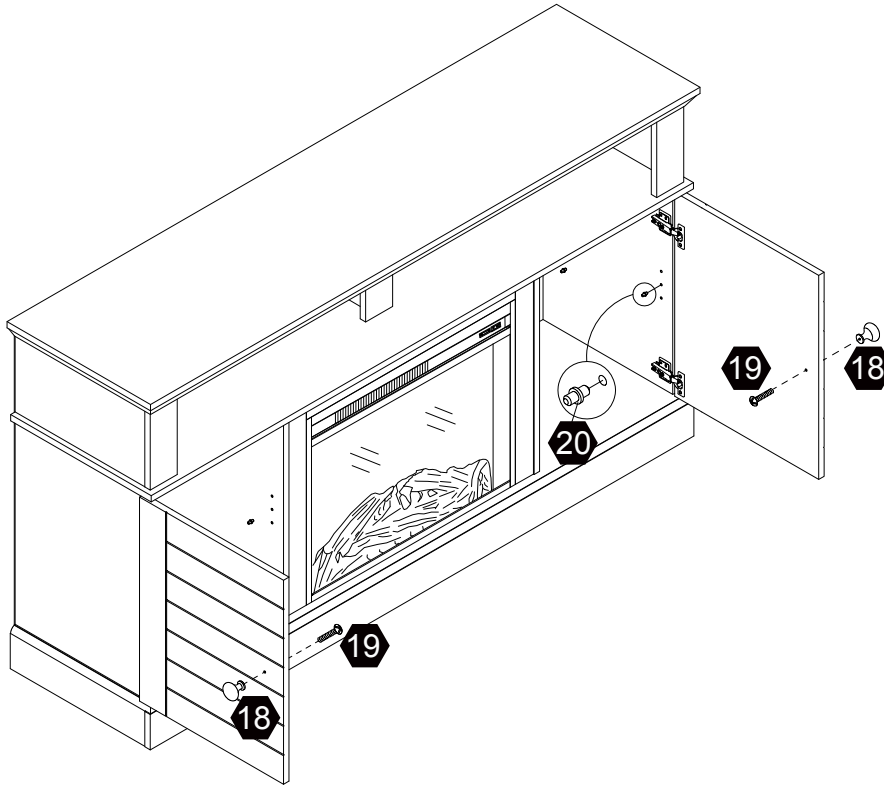
2 pcs

20

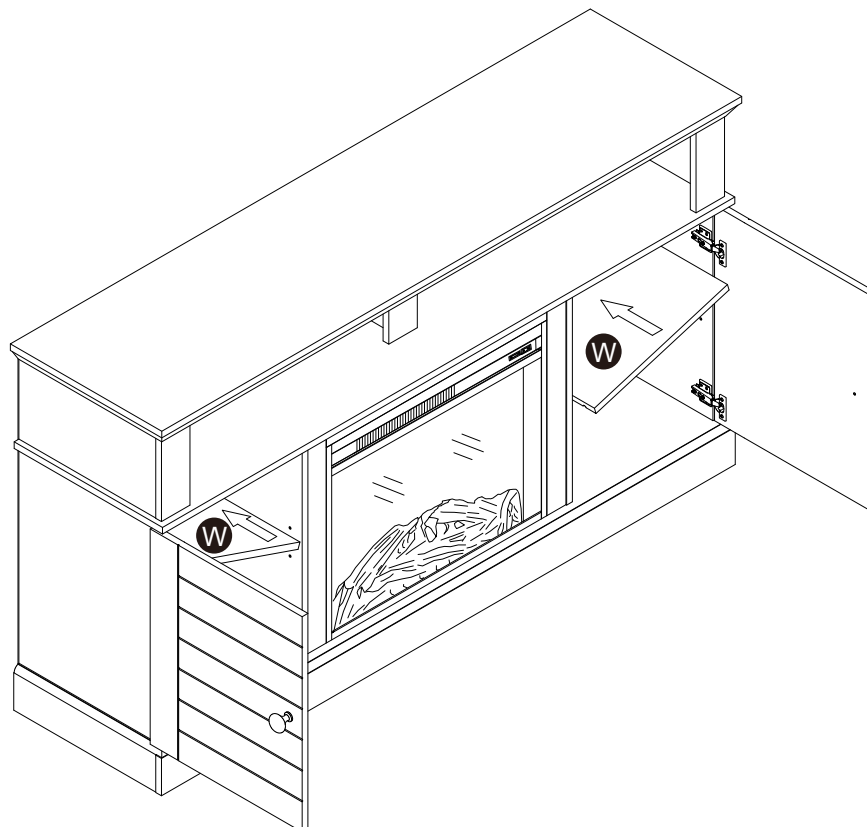


Φ8\*16

8 pcs



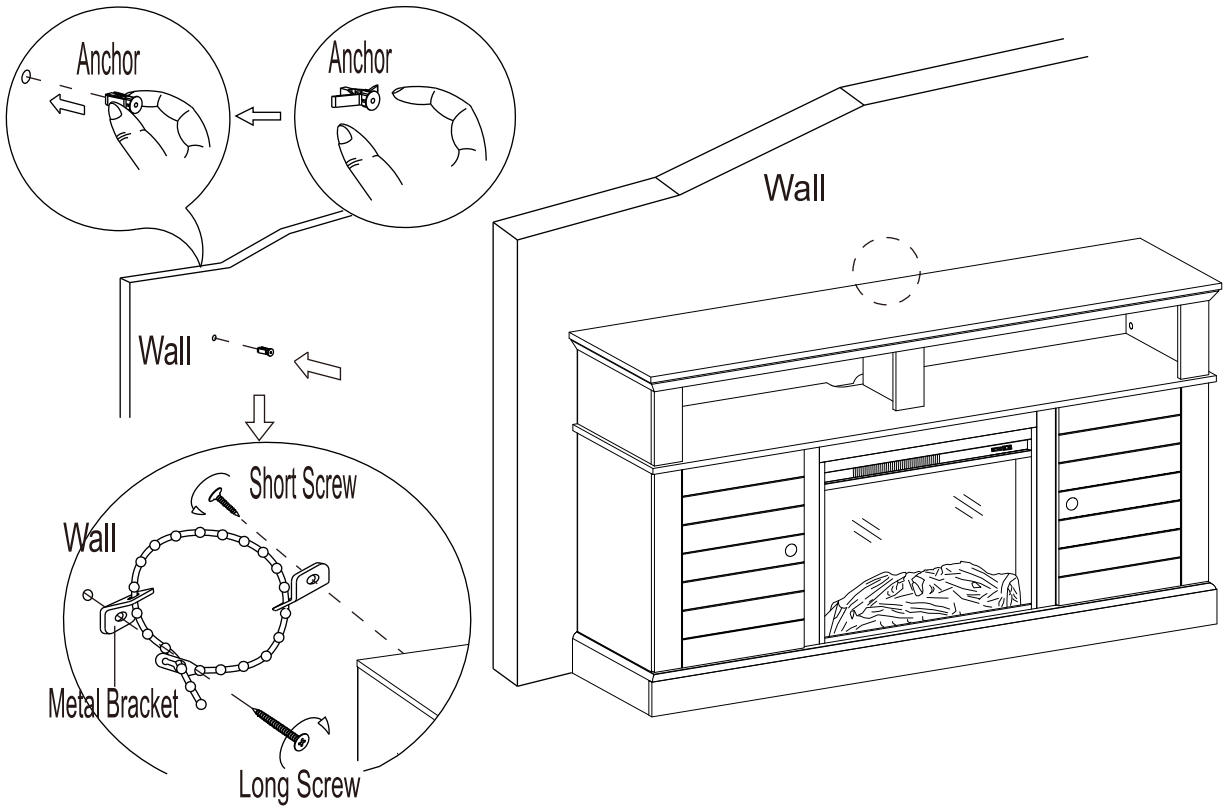
## Step 30



**Questions?**  
Scan Here

# Step 31

Tools required: Phillips screwdriver, Power Drill, 3/8" Drill Bit and Rubber Mallet.



**Questions?**  
Scan Here