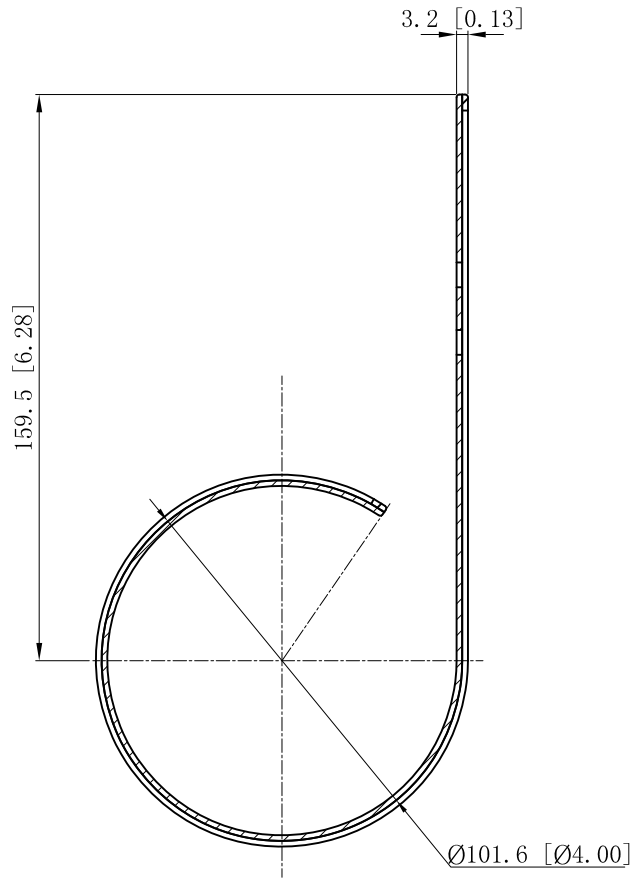


SIDES

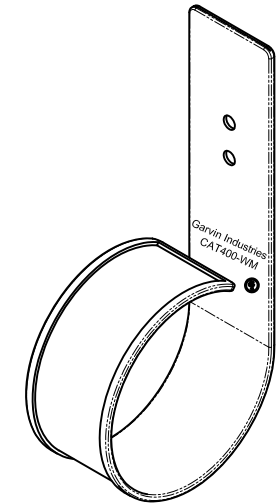
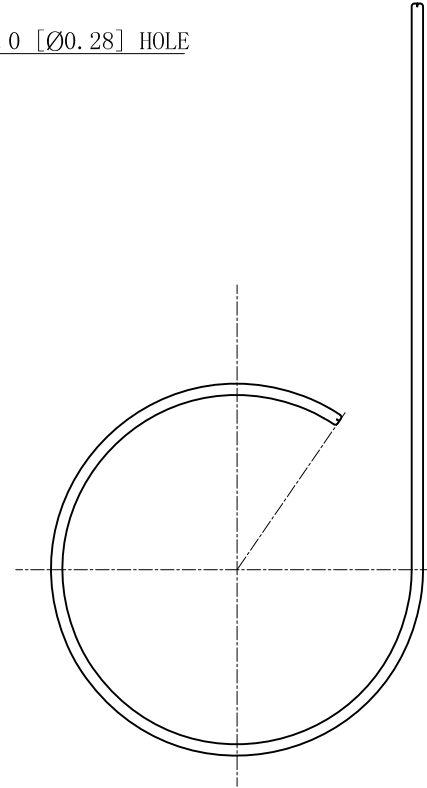
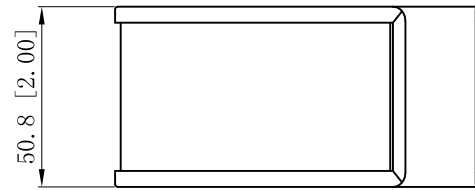
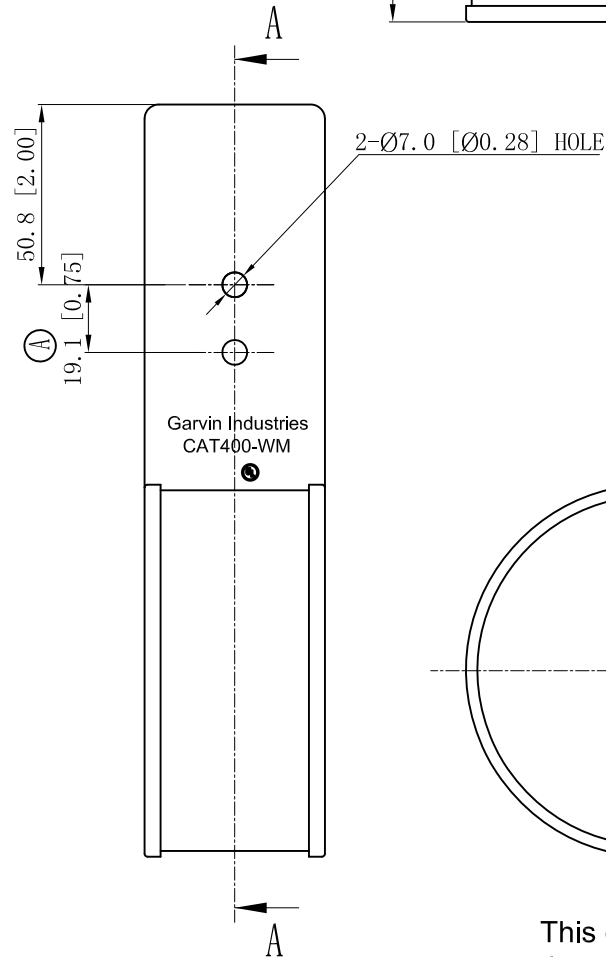
BOTTOM

Material: Steel-0.0625"-Galvanized

UL File # E332115



CUTAWAY VIEW A-A



This data sheet is for reference only .GARVIN INDUSTRIES reserves the right to make changes to the design without prior notice.

DESCRIPTION
TRADE REFERENCE TERMS

STANDARD PACKING	GARVIN INDUSTRIES		
	TITLE CAT WIRE RINGS		
	SIZE	DWG NO.	REV
	A4	CAT400-WM	C
DATA SHEET			
www.garvinindustries.com			