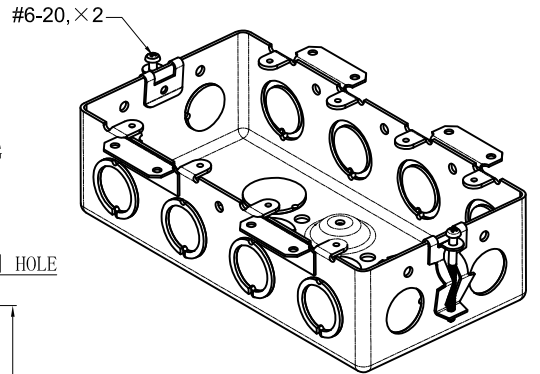
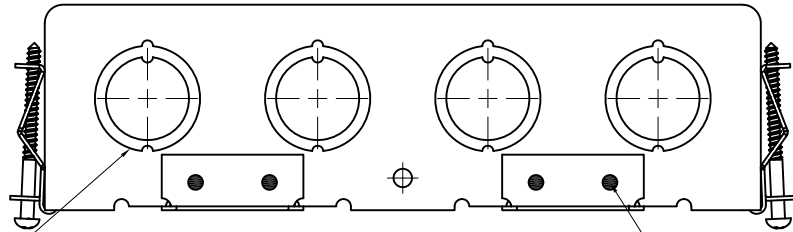
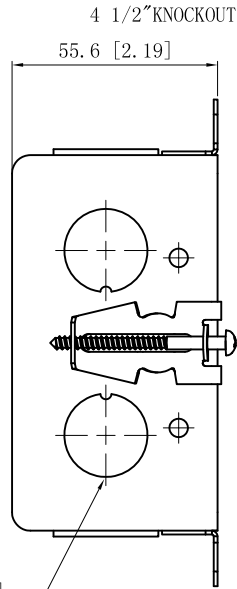


SIDES	BOTTOM
4 1/2" KNOCKOUTS	2 1/2" KNOCKOUTS
8 1/2"-3/4" MOON KNOCKOUTS	2 3/4" KNOCKOUTS
	1 Groud Hump
2 PCS #6-20×1-7/8 Tapping Screws Installed	
Material:Steel-0.0625"-G60 Galvanized	



8 1/2"-3/4" KNOCKOUTS $\phi=22.5 [\phi=0.89]$
 $\phi=28.5 [\phi=1.12]$

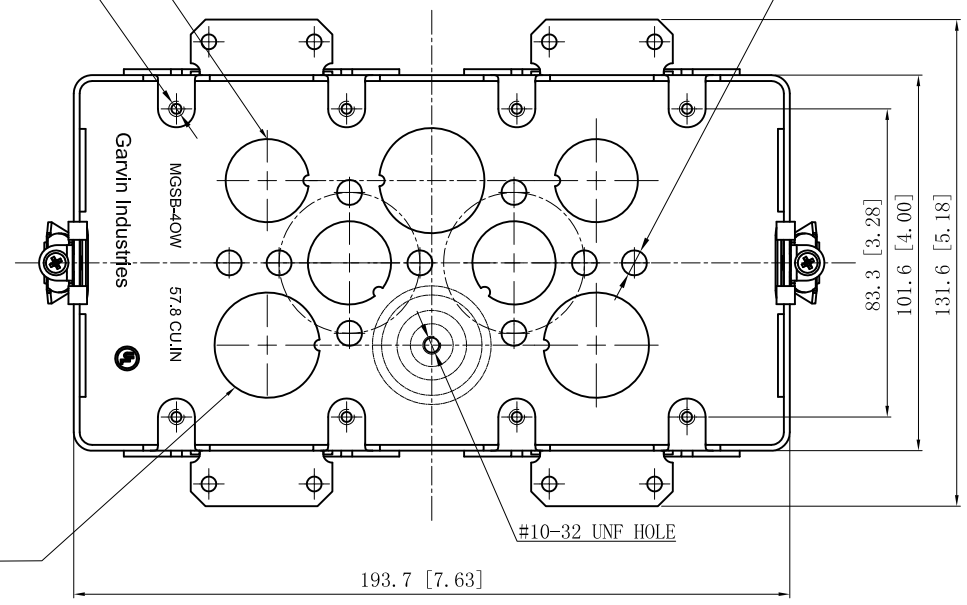


4 1/2" KNOCKOUTS $\phi=22.5 [\phi=0.89]$

2 3/4" KNOCKOUTS $\phi=28.5 [\phi=1.12]$

8-#6-32 UNC HOLE

9- $\phi 6.75 [\phi 0.266]$ HOLE



This data sheet is for reference only .GARVIN INDUSTRIES reserves the right to make changes to the design without prior notice.

DESCRIPTION
TRADE REFERENCE TERMS

STANDARD PACKING
20 PCS

GARVIN INDUSTRIES	
4-GANG SWITCH BOX 2-1/8" DEEP	
SIZE A4	DWG NO. MGSB-40W
DATA SHEET	
	REV