

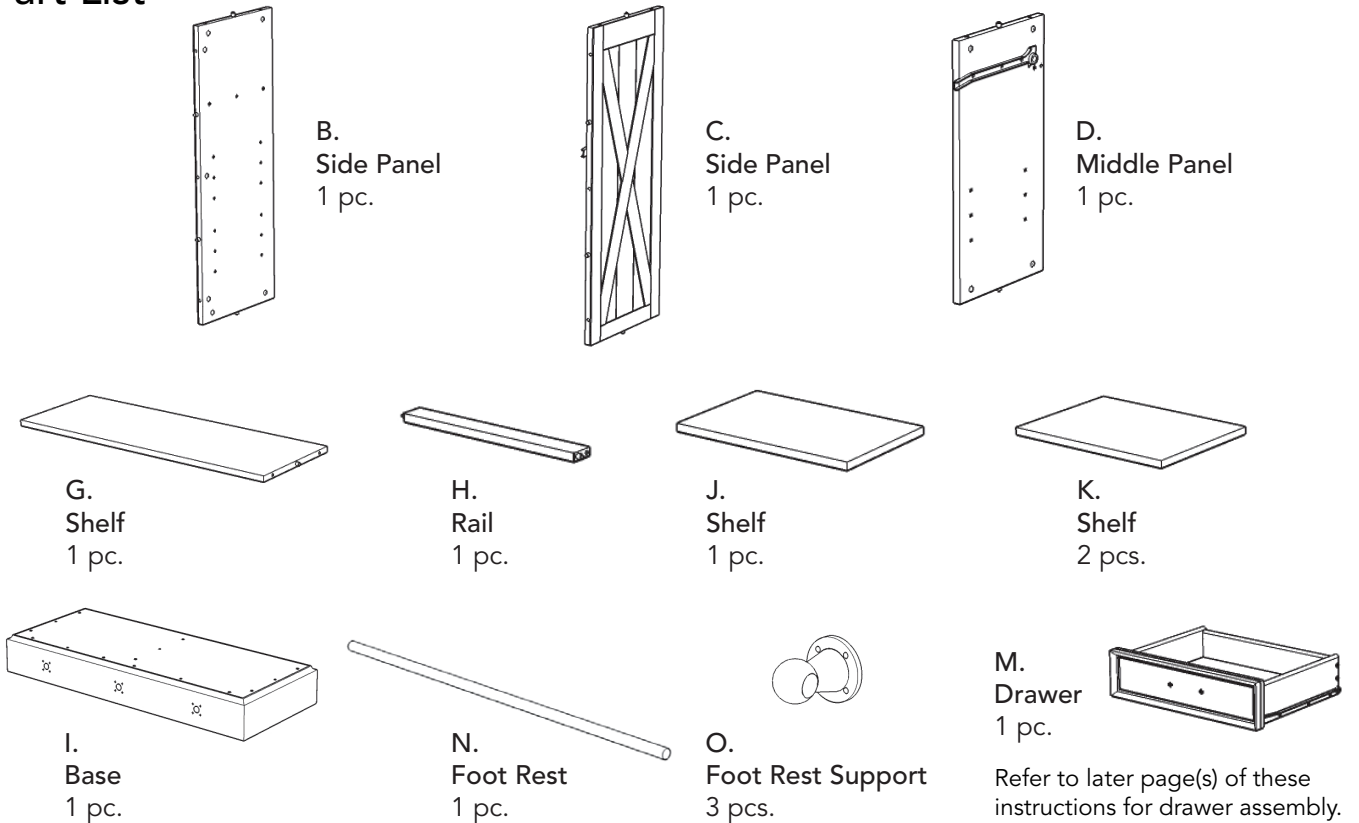
IMPORTANT

Carefully remove all the parts from the carton and place them individually on a soft cloth to prevent scratches or other damage.

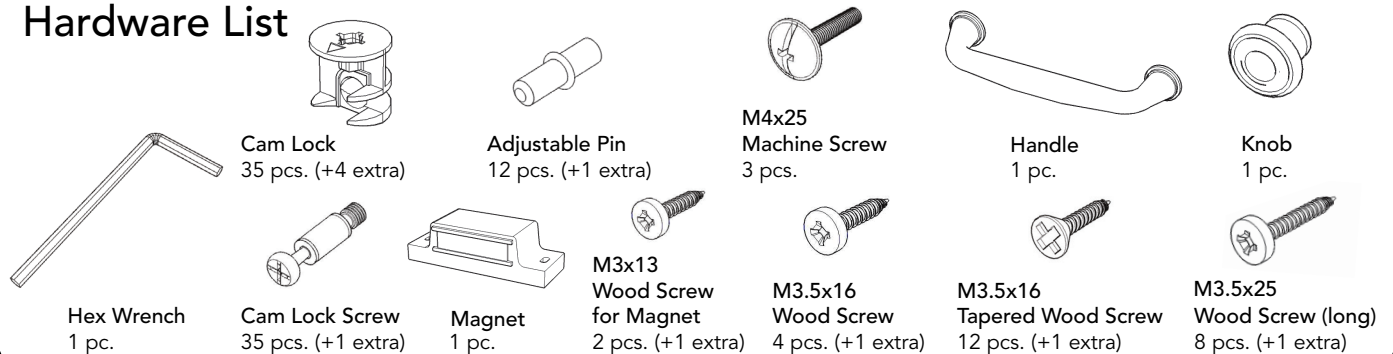
Carefully and strictly follow these assembly instructions to ensure a completed product as designed.

Do not use power tools above 8 volts to assemble.

Part List



Hardware List



Carton 20 05525 0991 is also needed for assembly.

Tool(s) required for assembly: Phillips screwdriver, Level

Home Styles Customer Service: www.homestyles-furniture.com,
 servicedesk@homestyles-furniture.com, 888-680-7460, 877-831-0319

Assembly Instructions 2/6

IMPORTANT

- Use a soft cloth between these parts and the floor.
- Do not use power tools above 8 volts to assemble.
- Do not tighten all the bolts until each part is properly assembled.
- The unit must be level to work properly. Use the included adjustable levelers to level.
- Keep Hex Wrench as the bolts may need to be tightened in the future.

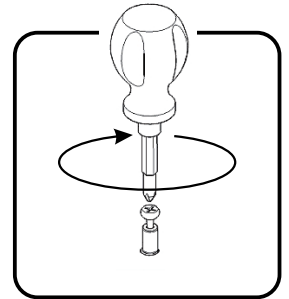
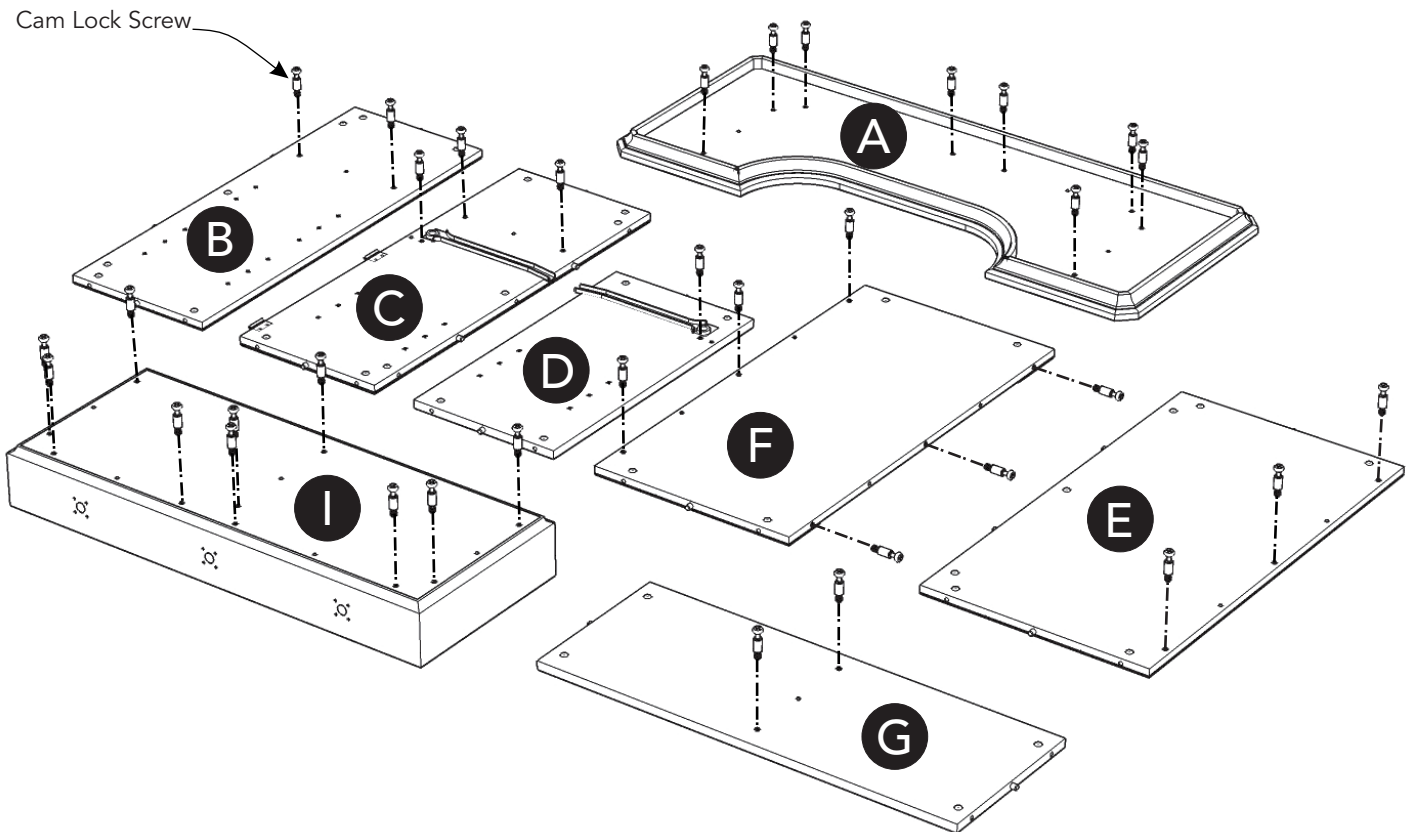


Figure 1



STEP 1

Insert Cam Lock Screws into pre-drilled holes in Top (A), Side Panels (B), (C), Middle Panel (D), Front Panels (E), (F), Shelf (G) and Base (I), then tighten. (See Figure 1)

Assembly Instructions 3/6

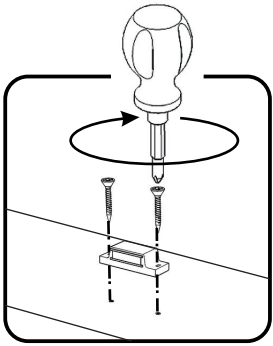


Figure 2

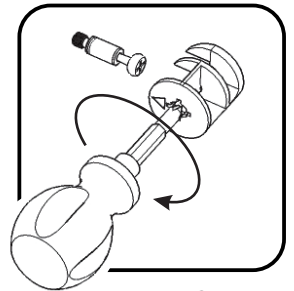
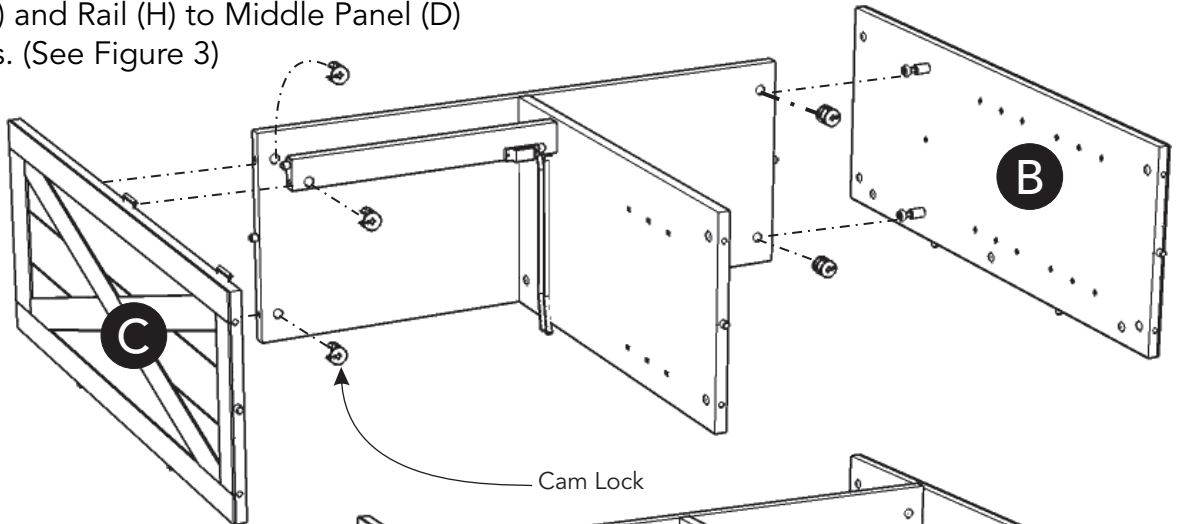
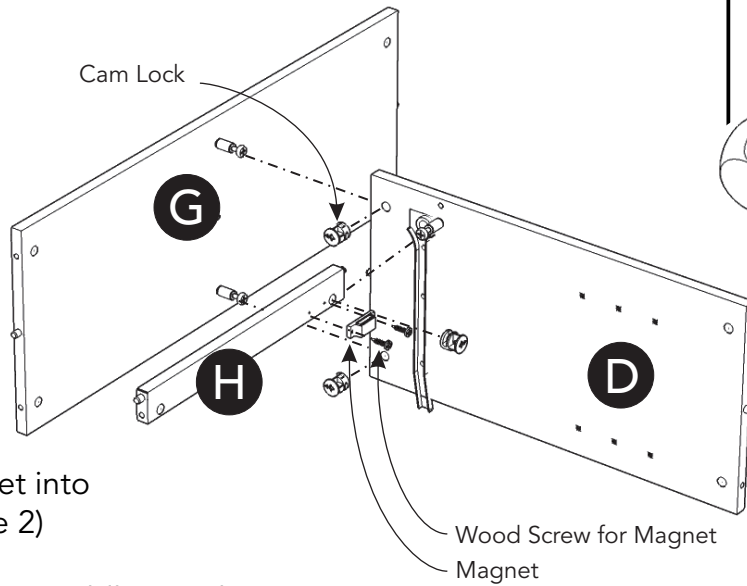


Figure 3

STEP 2

Attach Magnet to Rail (H) with Wood Screws for Magnet into pre-drilled holes. (See Figure 2)

Attach Shelf (G) and Rail (H) to Middle Panel (D) with Cam Locks. (See Figure 3)



STEP 3

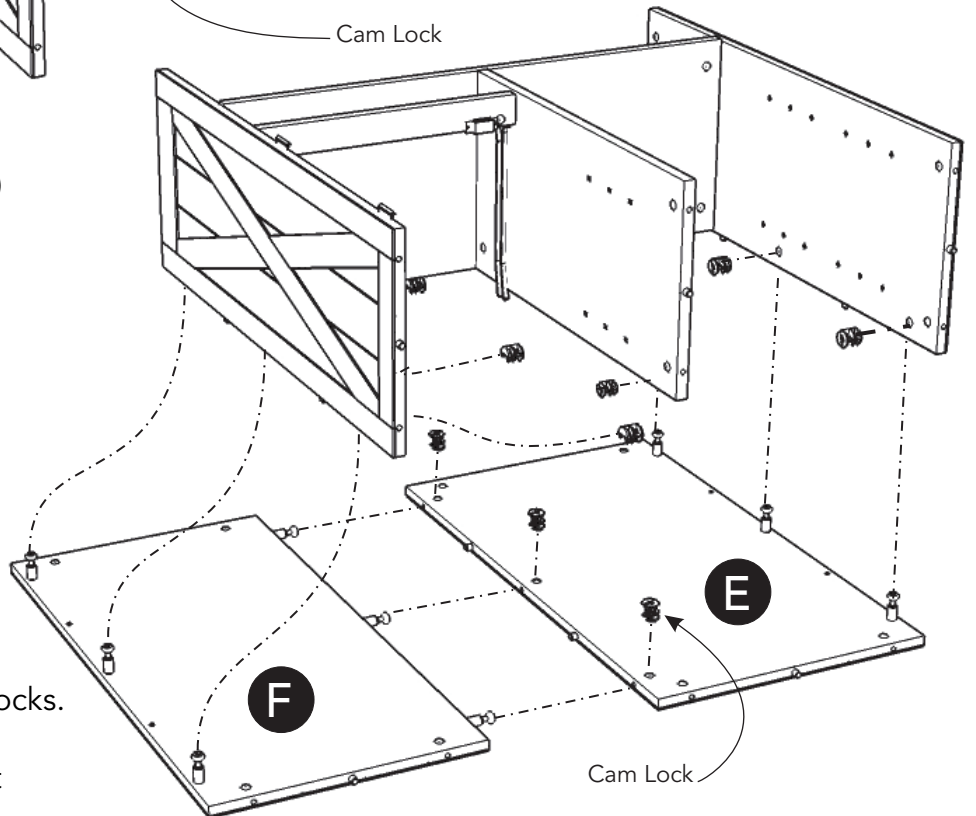
Attach Side Panels (B) and (C) to unit with Cam Locks.

STEP 4

Place Front Panels (E) and (F) face down on a soft cloth.

Attach Front Panel (E) to Front Panel (F) with Cam Locks.

Attach unit to front panel unit with Cam Locks.



Assembly Instructions 4/6

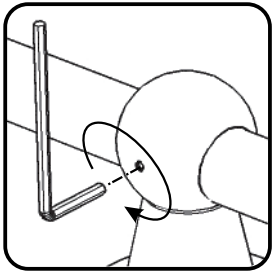
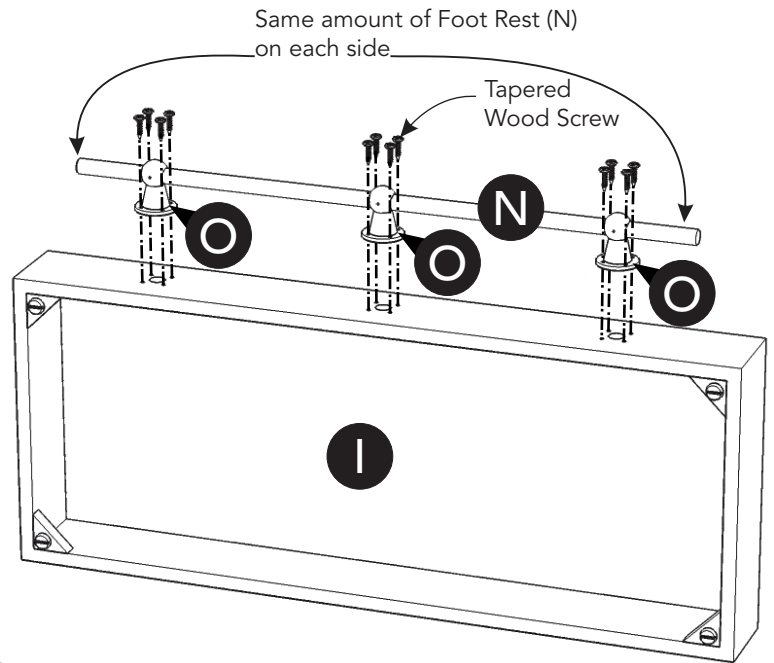


Figure 4

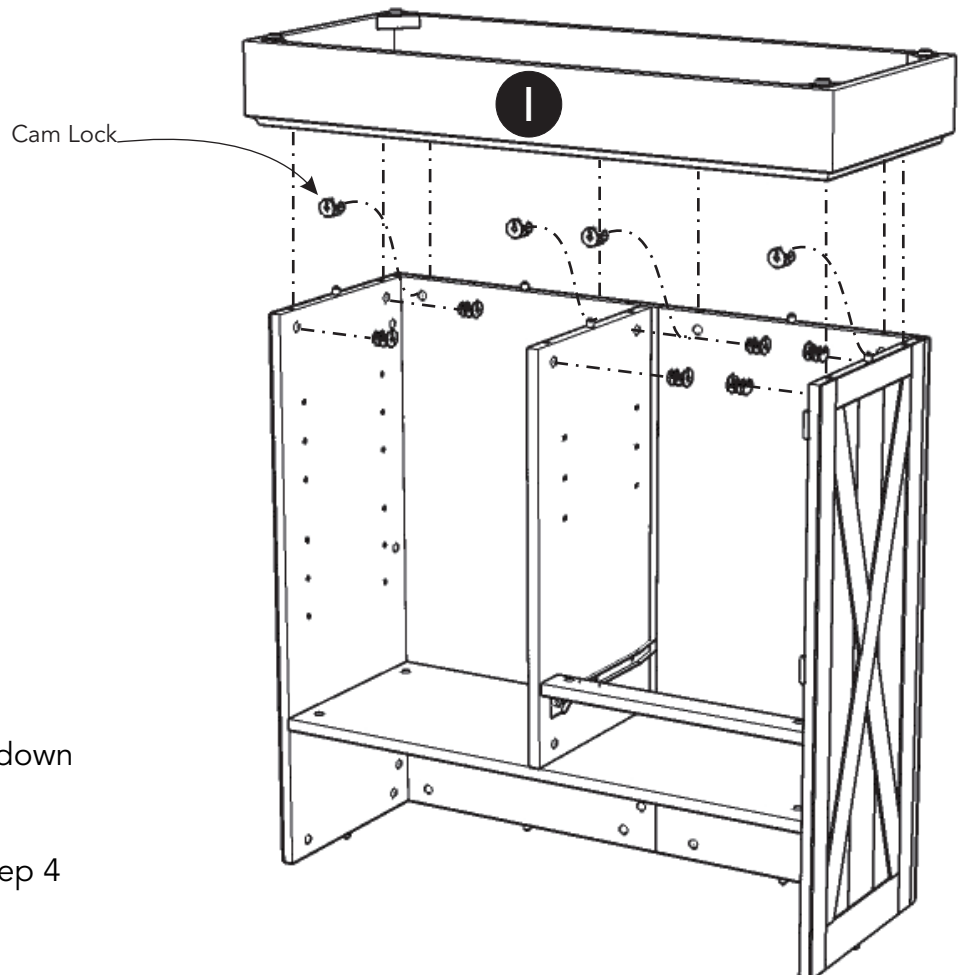


STEP 5

Slide Foot Rest (N) into Foot Rest Supports (O).

Attach Foot Rest Supports (O) to Base (I) with Tapered Wood Screws into pre-drilled holes.

Attach Foot Rest (N) to Foot Rest Supports (O), leaving same amount of Foot Rest (N) protruding on outside of outer Foot Rest Supports (O). (See Figure 4)



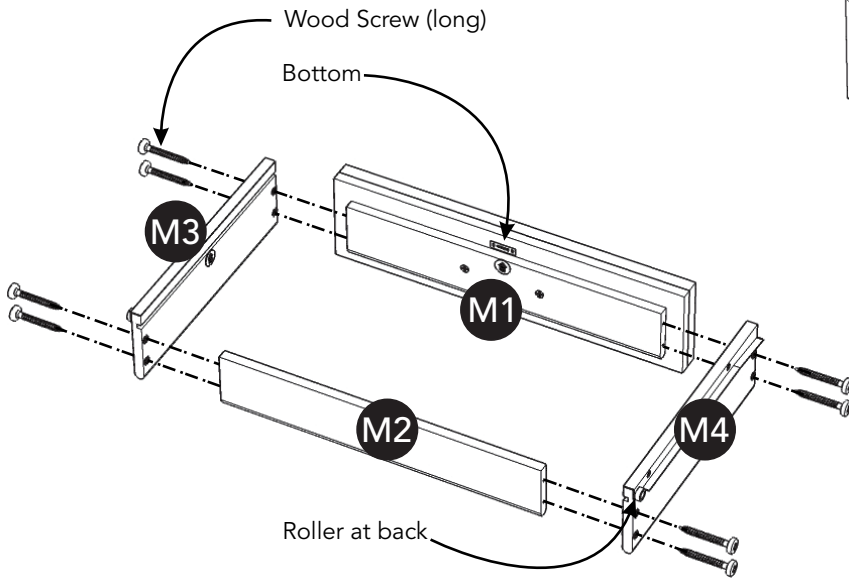
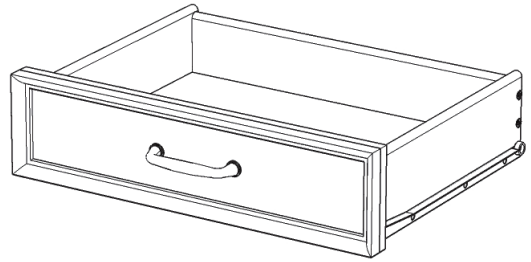
STEP 6

Turn unit from Step 4 upside down and place on a soft cloth.

Attach Base (I) to unit from Step 4 with Cam Locks.

Assembly Instructions 5/6

Drawer (M)



STEP 7

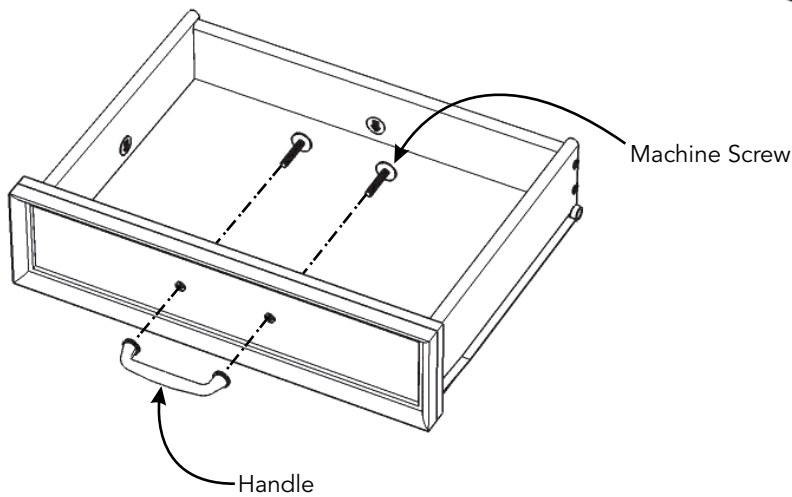
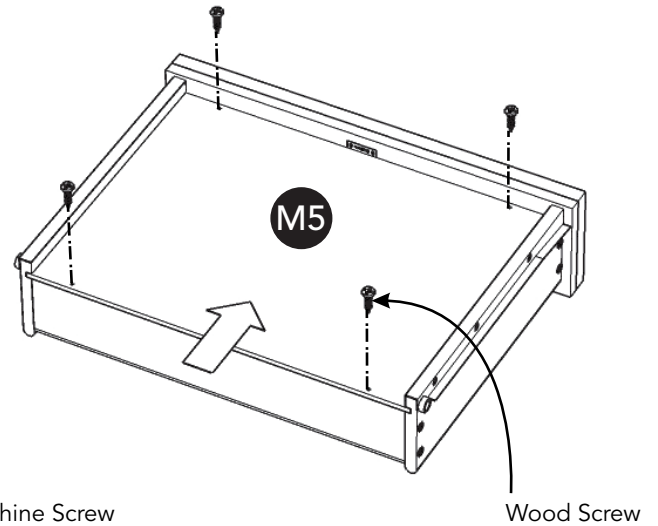
Attach Drawer Front (M1) and Drawer Back (M2) to Drawer Side (M3) with Wood Screws (long).

Attach Drawer Side (M4) to unit with Wood Screws (long).

STEP 8

Slide Drawer Bottom (M5) into groove.

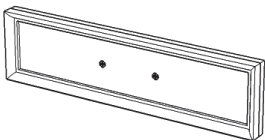
Attach Drawer Bottom (M5) to unit with Wood Screws.



STEP 9

Attach Handle with Machine Screws.

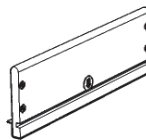
Part List



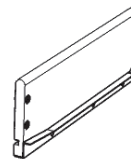
M1.
Drawer Front
1 pc.



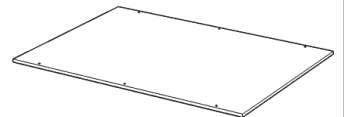
M2.
Drawer Back
1 pc.



M3.
Drawer Side
1 pc.

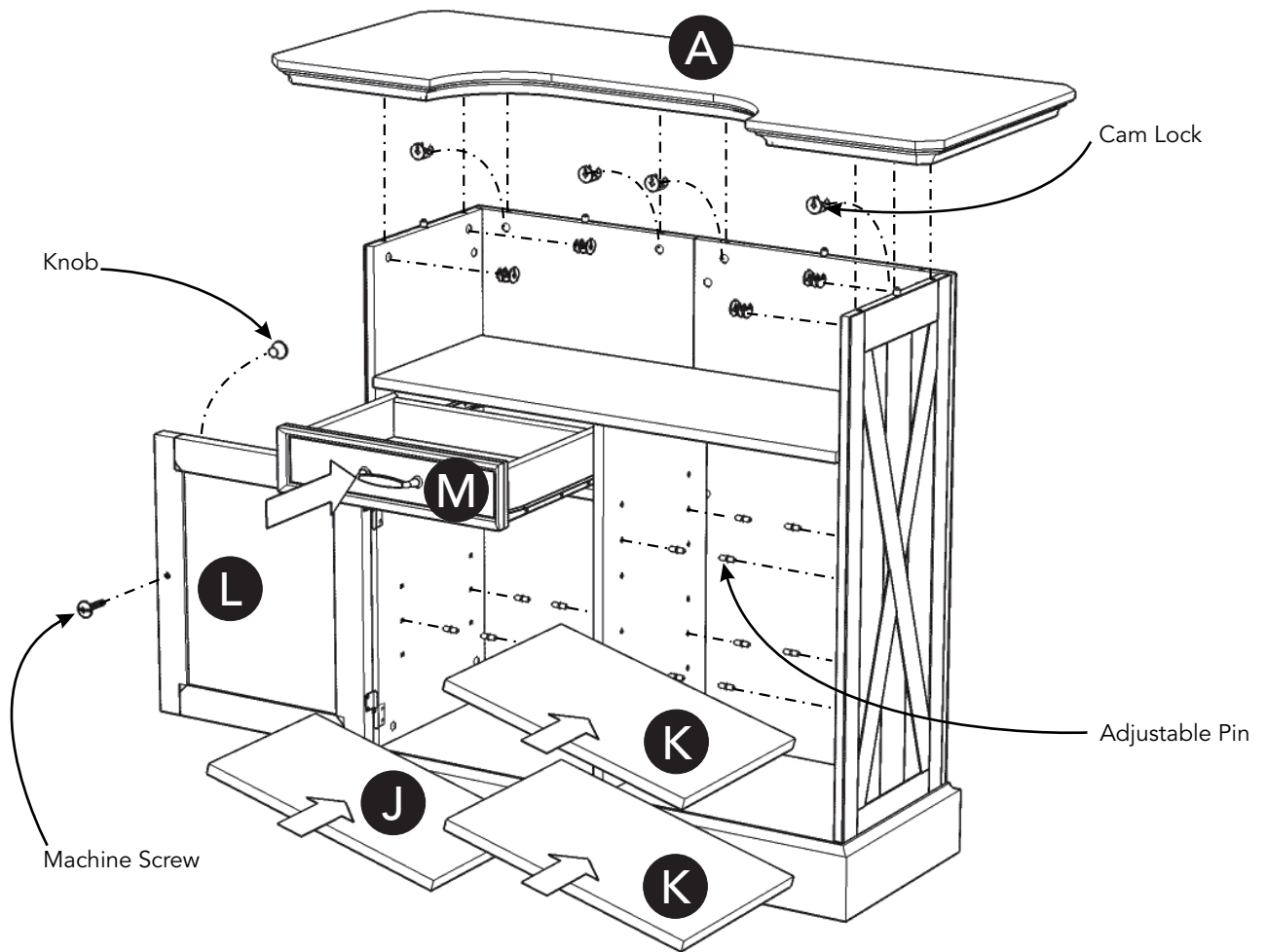


M4.
Drawer Side
1 pc.



M5.
Drawer Bottom
1 pc.

Assembly Instructions 6/6



STEP 10

Turn unit over to its upright position.

Insert Adjustable Pins into middle panel and side panels at desired level. (See Figure 5)

Place Shelves (J) and (K) into position.

Attach Door (L) to unit by sliding door hinges into side panel hinges. (See Figure 6)

Attach Knob to Door (L) with Machine Screw. (See Figure 7)

Attach Top (A) to unit with Cam Locks.

Slide Drawer (M) into position.

Level unit by adjusting the adjustable levelers on bottom of unit. (See Figure 8)

Note: Unit must be level to work properly.

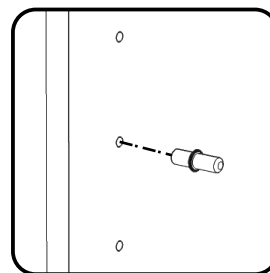


Figure 5

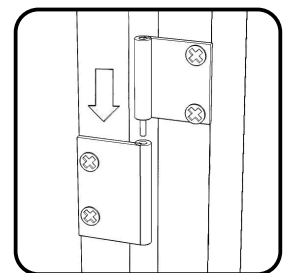


Figure 6

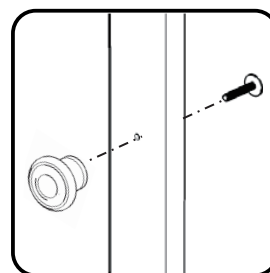


Figure 7

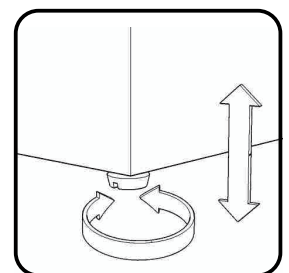


Figure 8

CARE INSTRUCTIONS

NEVER

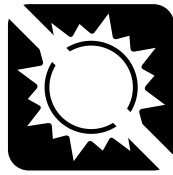
allow liquids to remain on furniture.
Absorption causes parts to warp
and split and finishes to delaminate.

NEVER

use glass cleaners on
finished furniture. Ammonia
chemically attacks the finish.



Do not use power tools
above 8 volts to assemble.
**PREVENT
CRACKING**



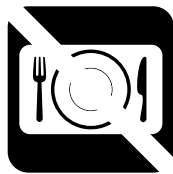
Do not place
in direct sunlight.
**PREVENT
FADING**



Do not write
directly on surface.
**PREVENT
MARKING**



Do not place hot
objects on surface.
**PREVENT
FINISH DAMAGE**



Do not use rubber
based placemats.
**PREVENT
DISCOLORING**



Do not use commercial
waxes and polishes.
**PREVENT
YELLOWING**

CLEAN

with a soft cloth moistened
in lukewarm soap and water.
Buff with a dry clean cloth.



Home Styles will provide replacements free of charge for missing or damaged hardware or parts within 30 days of purchase. Digital images of the defective parts may be required. If the product was not purchased from an authorized retail affiliate, Home Styles is under no obligation to provide replacement parts. Parts are not available for fully assembled items nor are parts available for sale. Replacements for missing or damaged hardware or parts may be requested at:

www.homestyles-furniture.com/customer-service/replacement-parts

Home Styles Customer Service: www.homestyles-furniture.com,
servicedesk@homestyles-furniture.com, 888-680-7460, 877-831-0319