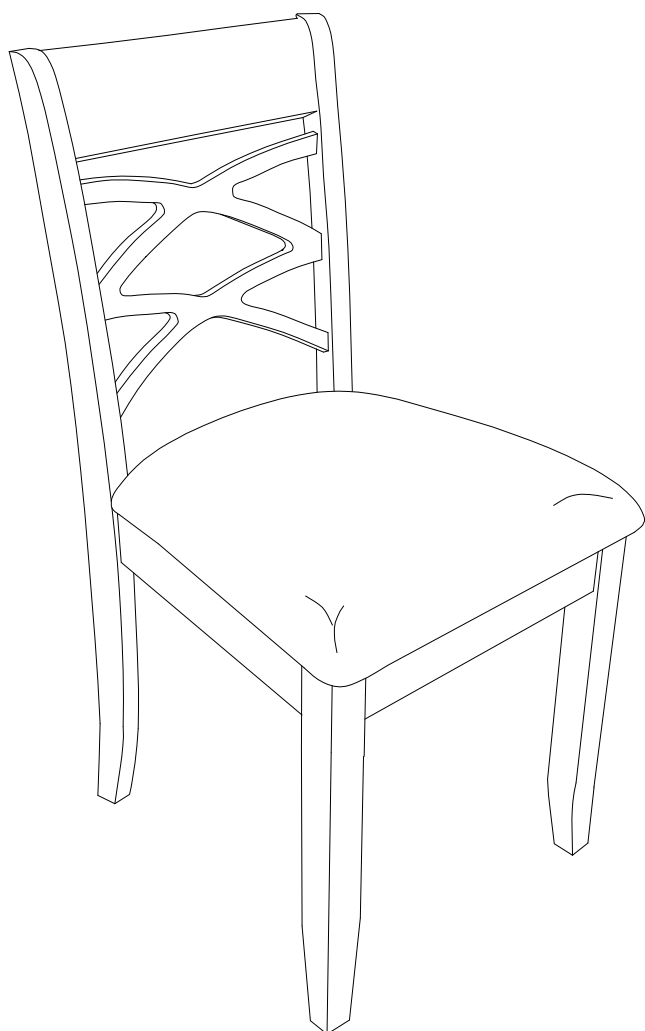
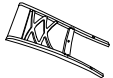

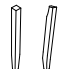








Assembly Instructions, #10184 Crossback Dining Chair

Note: A packet with complete set of hardware can be found by pulling the red ribbon that's easily visible upon opening the box.

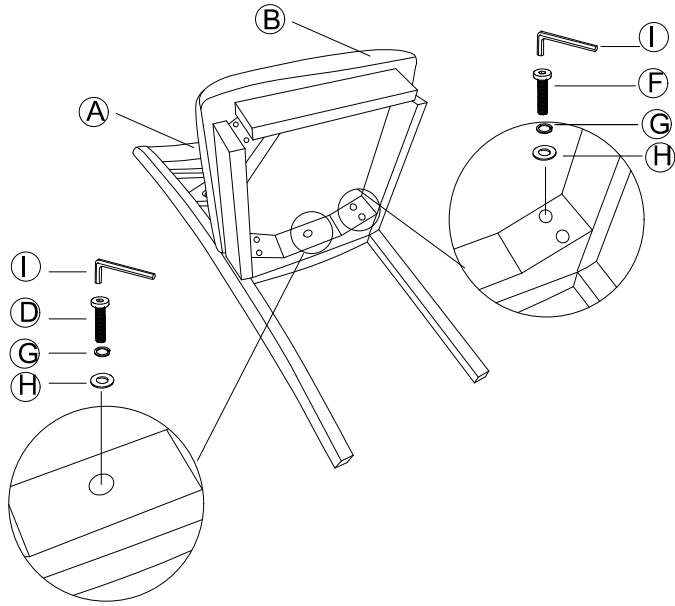


Parts and Hardware List

A	Back Assembly		1
B	Seat Pad		1
C	Front Legs		2
D	Shortest Bolt 1/4"*2"		1
E	Shorter Bolt 1/4"*2-1/2"		4
F	Long Bolts 1/4"*3"		4
G	Lock Washers		9
H	Flat Washers		9
I	Allen Wrench		1

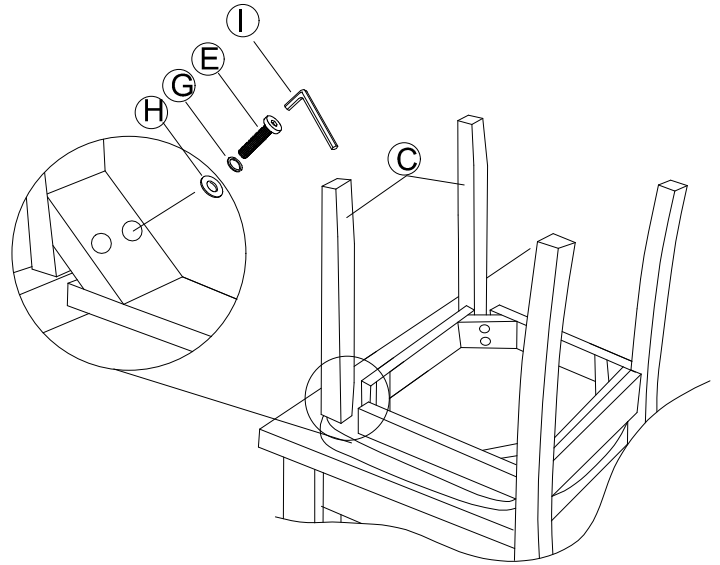
Step 1

Fasten the seat pad onto back assembly with the shortest bolt, plain washer and lock washer (D & G & H) in the center, and 4 long bolts, plain washers and lock washers (F & G & H) on two sides. Do not tighten.



Step 2

Place the assembled back and seat pad upside down on a table, fasten two front legs with four shorter bolts (E & G & H), do not tighten.



Step 3

Place the chair upright on an even surface, check to ensure all legs are properly leveled. Now tighten all bolts.

