

Model Number: SL24-12/MLED/FIL

LED 24' - 12 Socket String Lights

IMPORTANT SAFETY INSTRUCTIONS

When using electrical products, basic precautions should always be followed including the following:

READ AND FOLLOW ALL SAFETY INSTRUCTIONS



- Connect this product to a Ground Fault Circuit Interrupting (GFCI) outlet. If one is not provided, contact a qualified electrician for proper installation.
- Do not mount or place near gas or electric heaters, fireplace, candles, or other similar sources of heat.
- Do not secure the wiring of the product with staples or nails, or place on sharp hooks or nails.
- Install only using the mounting means provided.
- Do not let lamps rest on the supply cord or on any wire.
- Do not use this product for other than its intended use.
- Do not hang ornaments or other objects from the cord, wire, or lamps.
- Do not close doors or windows on the product or extension cords as this may damage the wire insulation.
- Do not cover the product with cloth, paper or any material not part of the product when in use.
- This product has a polarized plug (one blade is wider than the other) as a feature to reduce the risk of electric shock. This plug will fit in a polarized outlet only one way. If the plug does not fit fully in the outlet, reverse the plug. If it still does not fit, consult a qualified electrician. Do not use with an extension cord unless the plug can be fully inserted. Do not alter or replace the plug.
- Keep lamps away from any combustible surface.
- Read and follow all instructions that are on the product or provided with the product.
- CAUTION:** To reduce the risk of fire and electric shock: Do not install on trees having needles, leaves or branch coverings of metal or materials which look like metal; and do not mount or support wires in a manner that can cut or damage wire insulation.

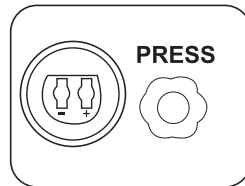
SAVE THESE INSTRUCTIONS

CAUTION:

- To reduce the risk of fire use only type S, 0.2 Watt Max medium (E26) left-handed thread base lamp.
- To avoid risk of shock, always make sure the product is unplugged from the electrical outlet before assembling, disassembling, installing, relocating, servicing or cleaning it.
- Do not overload. This string light is rated for 2.1 Watts. Connect other string lights end-to-end for a maximum of 2 units.
- Do not use with extension cord near water or where water may accumulate. Keep at least 4.8 m / 16 ft from pools and spas. Keep plugs and receptacles dry. Do not submerge.

CONNECTING SETS END-TO-END.

When multiple products are connected together do not exceed the lowest of the indicated maximum wattage on the cord tag near the connected product's receptacle.



Bottom of adapter

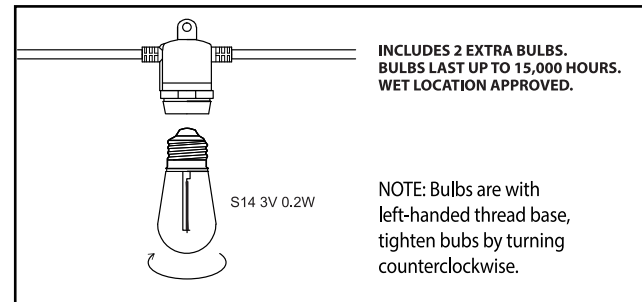
PRESS BUTTON FOR STRING LIGHT MODES

- CABLE LEDs ONLY
- BULBS ONLY
- SIMULTANEOUS, CABLE LEDs AND BULBS
- OFF

REPLACING LIGHT BULBS

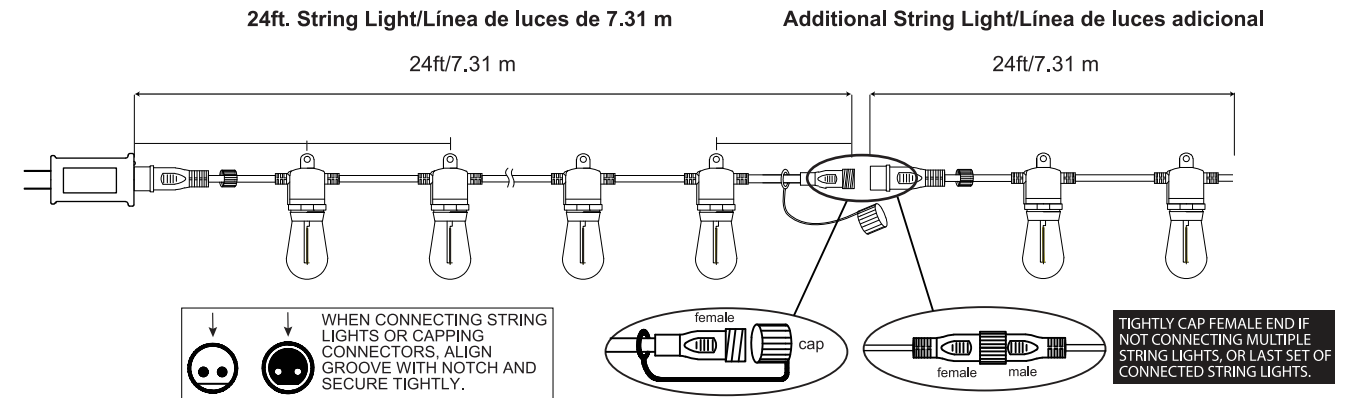
WARNING – RISK OF ELECTRIC SHOCK!! Disconnect power at source prior to replacing light bulbs. For outdoor String Lights, do NOT replace light bulbs during rain or when wet.

- Replace light bulbs only during dry and calm weather conditions.
- Unscrew existing bulbs by lightly holding the socket in one hand and twisting the bulb counterclockwise. Bulbs may be tight in the sockets. This is normal to prevent moisture from getting into socket.
- Replace with medium base light bulbs. Screw bulb into socket clockwise until top of socket forms a tight seal around the light bulb and bulb makes solid contact with socket. Suitable for incandescent, CFL, or LED light bulbs.



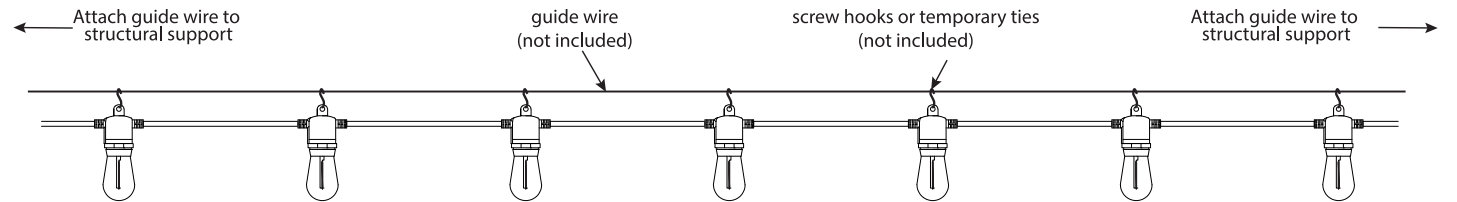
LIMITED WARRANTY: This product is warranted to be free from defects in workmanship and materials for up to 2 years from date of purchase. If the product fails within the warranty period, please contact Feit Electric at info@feit.com, visit feit.com/contact-us or call 1-866-326-BULB (2852) for instructions on replacement or refund. REPLACEMENT OR REFUND IS YOUR SOLE REMEDY. EXCEPT TO THE EXTENT PROHIBITED BY APPLICABLE LAW, ANY IMPLIED WARRANTIES ARE LIMITED IN DURATION TO THE DURATION OF THIS WARRANTY. LIABILITY FOR INCIDENTAL OR CONSEQUENTIAL DAMAGES IS HEREBY EXPRESSLY EXCLUDED. Some states and provinces do not allow the exclusion of incidental or consequential damages, so the above limitation or exclusion may not apply to you. This warranty gives you specific legal rights, and you may also have other rights which vary from state to state or province to province.

CONNECTING STRING LIGHTS

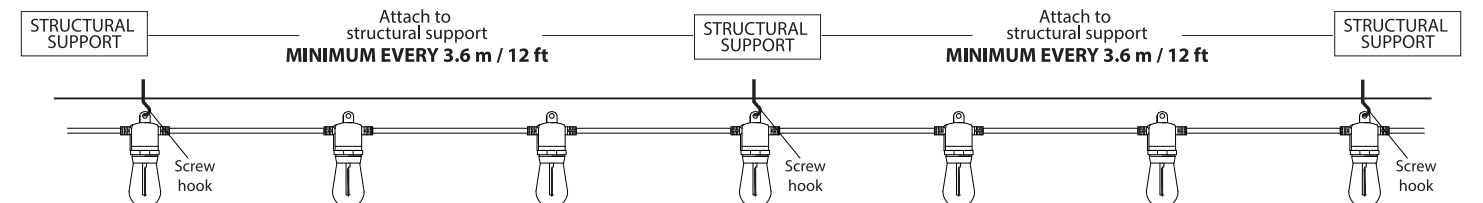


INSTALLATION METHODS

1. Using a guide wire with screw hooks or temporary ties (not included)



2. Attached to a structure



CONNECTING MULTIPLE SETS USING LED BULBS INCLUDED

MAXIMUM WATTAGE	NUMBER OF LIGHT STRINGS
1 WATT	2 SETS

CAUTION: DO NOT EXCEED 350 WATTS WHEN USING INCLUDED LED BULBS

The performance specifications (life hours) printed on this manual should only be considered an approximation of expected performance.

This device complies with part 15 of the FCC Rules. Operation is subject to the following two conditions: (1) This device may not cause harmful interference, and (2) this device must accept any interference received, including interference that may cause undesired operation. Note: This equipment has been tested and found to comply with the limits for a Class B digital device, pursuant to part 15 of the FCC Rules. These limits are designed to provide reasonable protection against harmful interference in a residential installation. This equipment generates, uses and can radiate radio frequency energy and, if not installed and used in accordance with the instructions, may cause harmful interference to radio communications. However, there is no guarantee that interference will not occur in a particular installation. If this equipment does cause harmful interference to radio or television reception, which can be determined by turning the equipment off and on, the user is encouraged to try to correct the interference by one or more of the following measures: Reorient or relocate the receiving antenna. Increase the separation between the equipment and receiver. Connect the equipment into an outlet on a circuit different from that to which the receiver is connected. Consult the dealer or an experienced radio/TV technician for help. Any changes or modifications not expressly approved by the manufacturer could void the user's authority to operate the equipment. CAN ICES-005 (B)

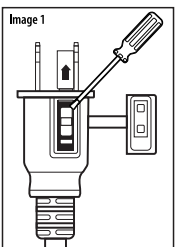
Supplier's Declaration of Conformity: 47 CFR § 2.1077 Compliance Information
Responsible Party: Feit Electric Company, 4901 Gregg Road, Pico Rivera, CA 90660, USA
Unique Identifier: SL24-12/FIL/REM

To reduce the risk of fire: Do not replace the attachment plug. It contains a safety device (fuse) that should not be removed. Discard product if the attachment plug is damaged.

TROUBLESHOOTING

- Confirm power is turned on.
- Before performing any troubleshooting, make sure to unplug string light completely from power supply.
- If one or several bulbs do not light, gently grasp and tighten bulbs further into socket. Do not overtighten. Plug into power supply and retry.
- If none of the bulbs light up, check the fuse at end of cord. This product employs overload protection (fuse). A blown fuse indicates an overload or short-circuit situation. If the fuse is blown, unplug the product from the outlet. Also unplug any additional strings or products attached to the product. If the replacement fuse blows again, it is possible that a short circuit has occurred and the product needs to be discarded.

To replace the fuse: Grasp plug and remove from the receptacle or other outlet device. Do not unplug by pulling on cord. Open access cover on top of the attachment plug. Slide the fuse cover towards the electrical prongs. Carefully pop out the fuse using a small flat head screwdriver to remove the fuse (See Image 1). Insert the new fuse (extra provided with product) and ensure it is properly seated in the plug. To reduce the risk of fire, replace fuse with only a 7A 125V fuse (extra provided with product). To close after inserting a new fuse, slide fuse cover back to original position. Close fuse access cover on top of the attachment plug.



- Please contact our customer service department should you need further assistance.