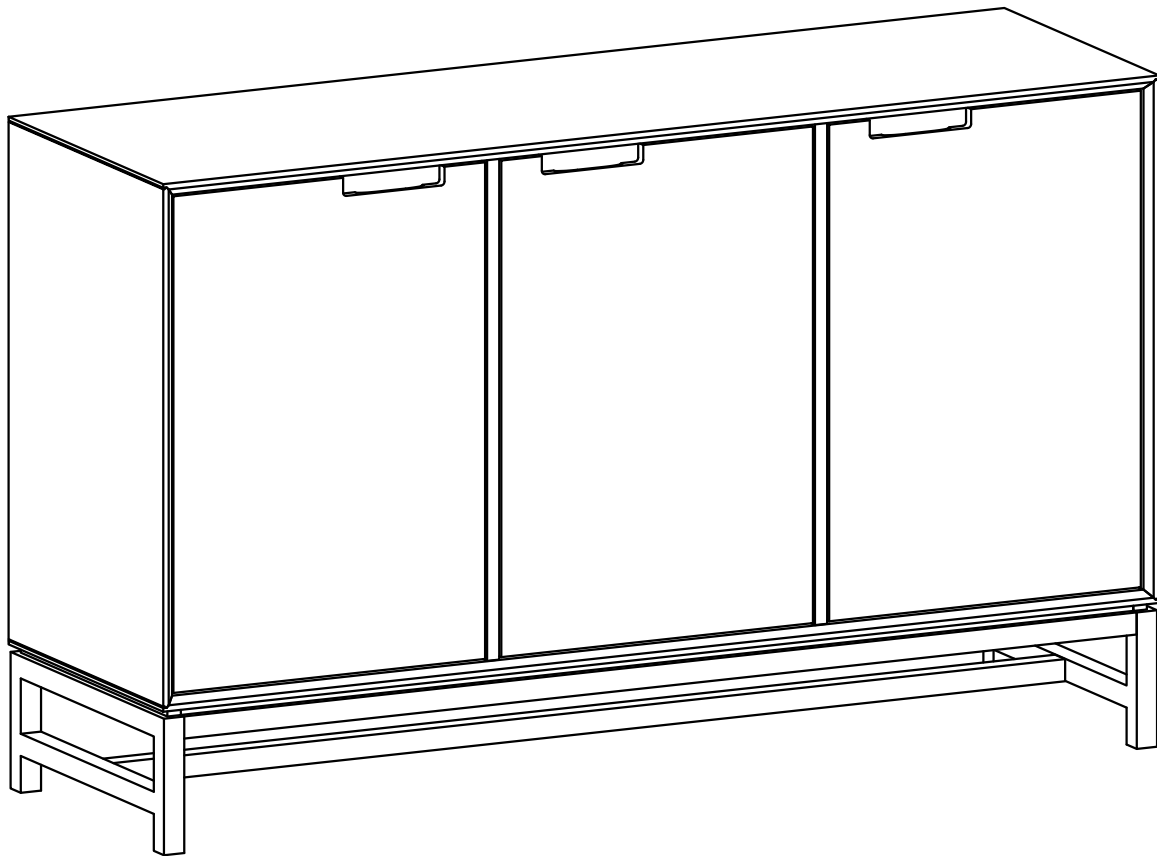


SIMPLIHOME®

Banting / Devlin / Argyle

Mid Century 3 Door Sideboard Buffet

Model # AXCBAN103D



SIMPLIHOME

Great quality is a right.

Thank you for shopping with Simpli Home,
America's top brand for high-value furniture.

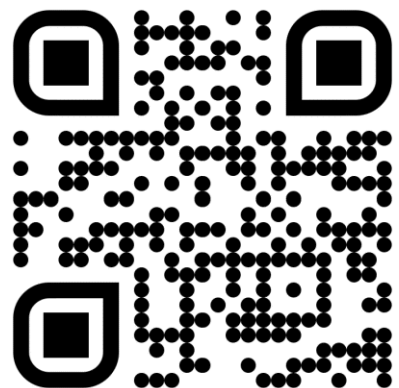


It's time to register your product warranty.

It's quick and easy. And you'll be happy you did.



- ✓ Activate your **1-year** warranty
- ✓ Automatic entry to win a **\$500** gift certificate
- ✓ Earn instant rewards and **save**



simpli-home.com/product-registration

SIMPLIHOME

Review your product and collect rewards!

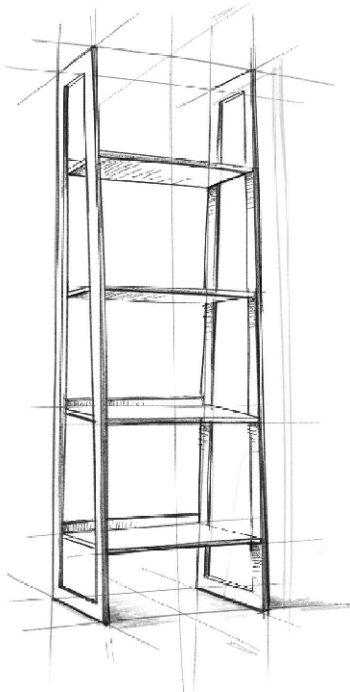
Thank you for your purchase! We hope you enjoy it. We'd love your feedback. Please share a review and get instant rewards!



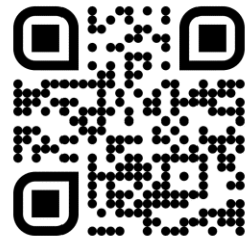
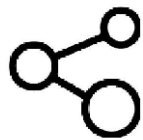
simpli-home.com/product-review



Share photos and get your cash back!



Send us images or share them on social and qualify for instant rewards. You may even receive store credit on your entire purchase!



simpli-home.com/share-images

SIMPLIHOME®

For Fastest Customer Service:



1. Open your phone's camera.
2. Point your phone's camera at the QR code to scan.
3. Click on the pop up.
4. You'll be taken to our customer service page.
5. Fill the form with your order information and issue.
6. Submit form.
7. A customer service associate will contact you.

Other ways to contact us...



Email Us

customerservice@simpli-home.com



Visit Us

Visit our site directly at
www.simpli-home.com



Call Us

1-866-518-0120
Monday to Friday
9am to 5pm EST

***If you've purchased from a retailer and you wish to return the product, please contact the retailer directly.**

IMPORTANT : Please read this manual carefully before beginning assembly of this product. Keep this manual for future reference.

Safety Information

CAUTION: Injuries and damage can occur from furniture tip over if product is not properly anchored to the wall. Use the Furniture Anti-Tipping Restraint provided with the product. Consult our Assembly instructions for help.

If the Furniture Anti-Tipping Restraint kit is not in the box, please contact our customer service department in order to obtain another kit before using the furniture.

Identify all the parts and hardware. Do not discard of the packaging until you have checked that you have all of the parts and hardware required. Hardware package may have spare parts.

WARNING: This item contains small parts which can be swallowed by children and pets. Keep children and pets away during Assembly. To avoid danger of suffocation, always keep plastic bags away from children and pets. We recommend that you assemble this unit on a carpeted floor to avoid scratches. If using power tools, set the tool to low torque to avoid damage.

May require 2 people for ease of Assembly.

Care & Maintenance

This furniture is designed for indoor use.

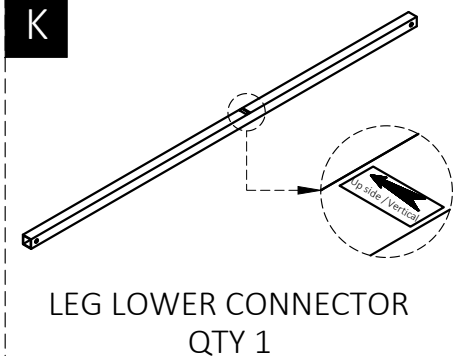
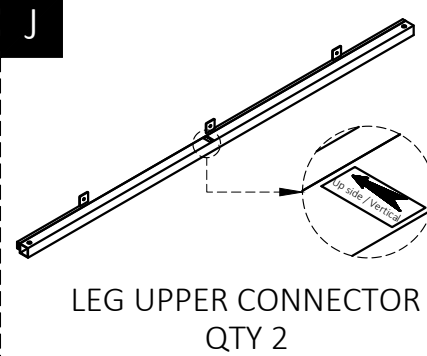
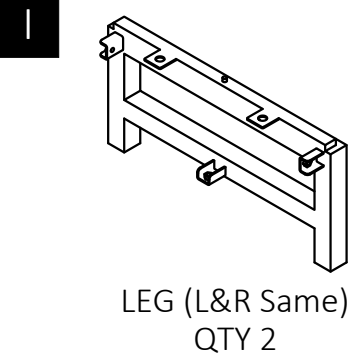
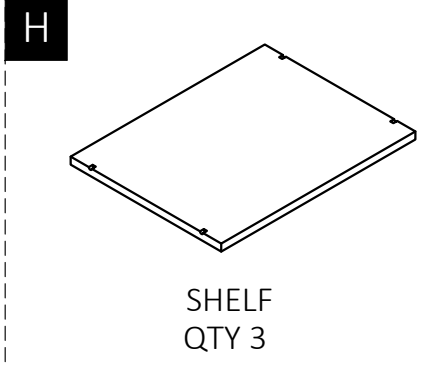
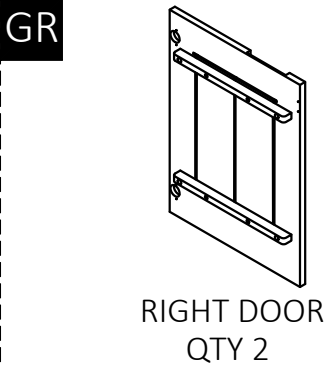
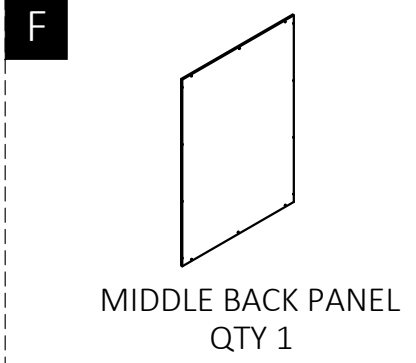
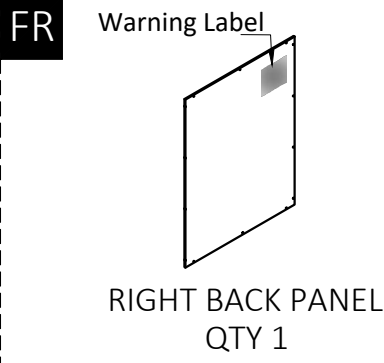
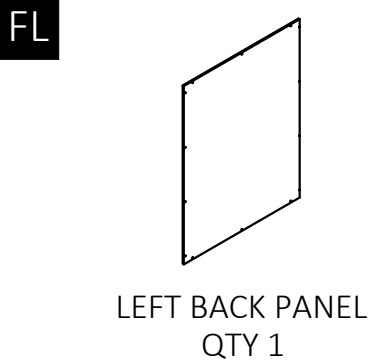
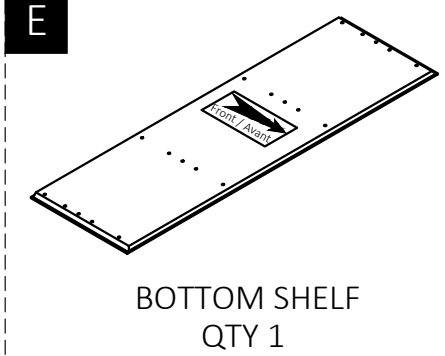
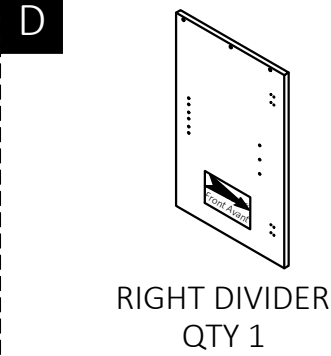
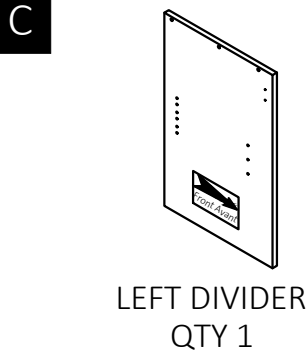
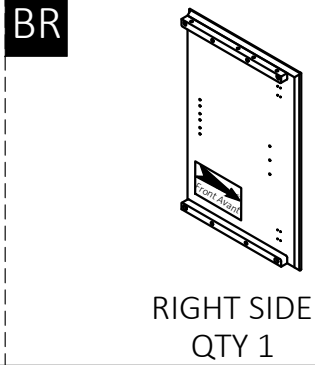
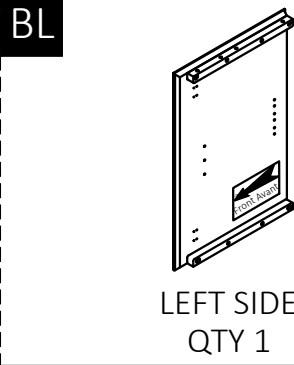
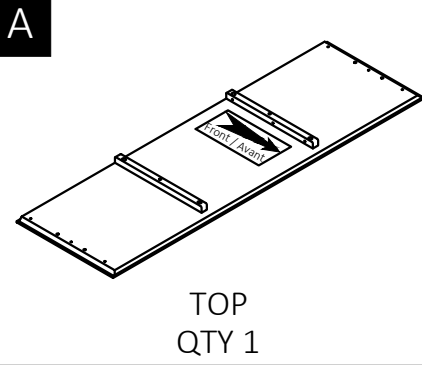
Damage to furniture can come from temperature changes in relative humidity (RH) in our homes. Humid air oxidizes metal which results in rusting, corrosion, tarnishing and roughness. Wood absorbs water as relative humidity rises and falls, and in doing so it swells and shrinks.

To protect against the humidity effect, the metal is powder coated. The powder coat layer protects the metal from oxidizing, corrosion, tarnishing and scratching and keeps it looking good for years to come. The wood is sealed and lacquered to protect against humidity.

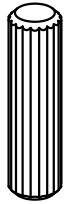
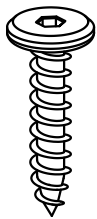
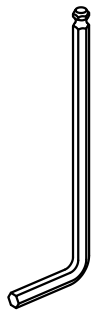
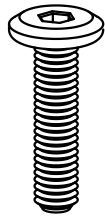
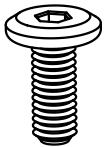

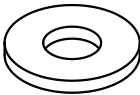
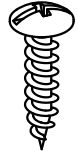
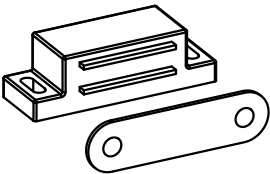
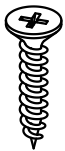
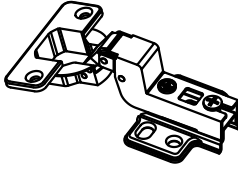
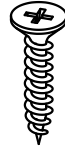
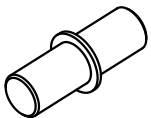
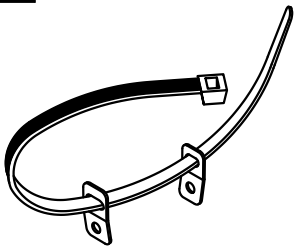



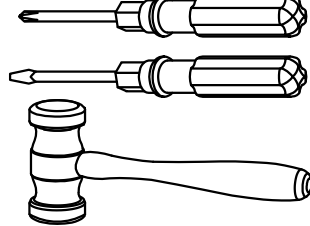
To help protect your furniture, follow these steps:

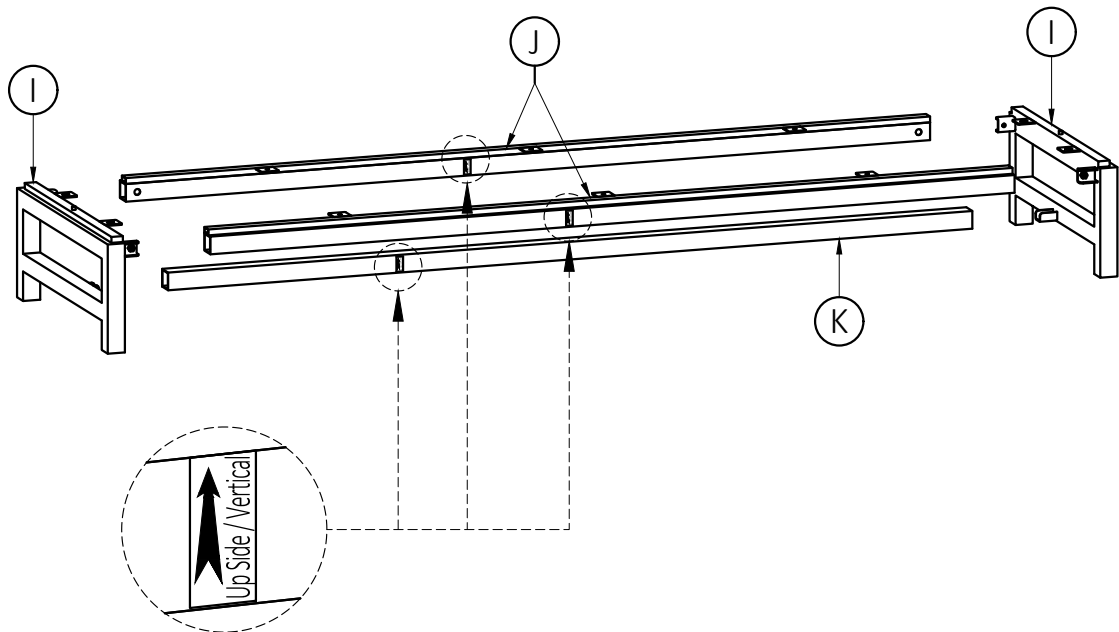
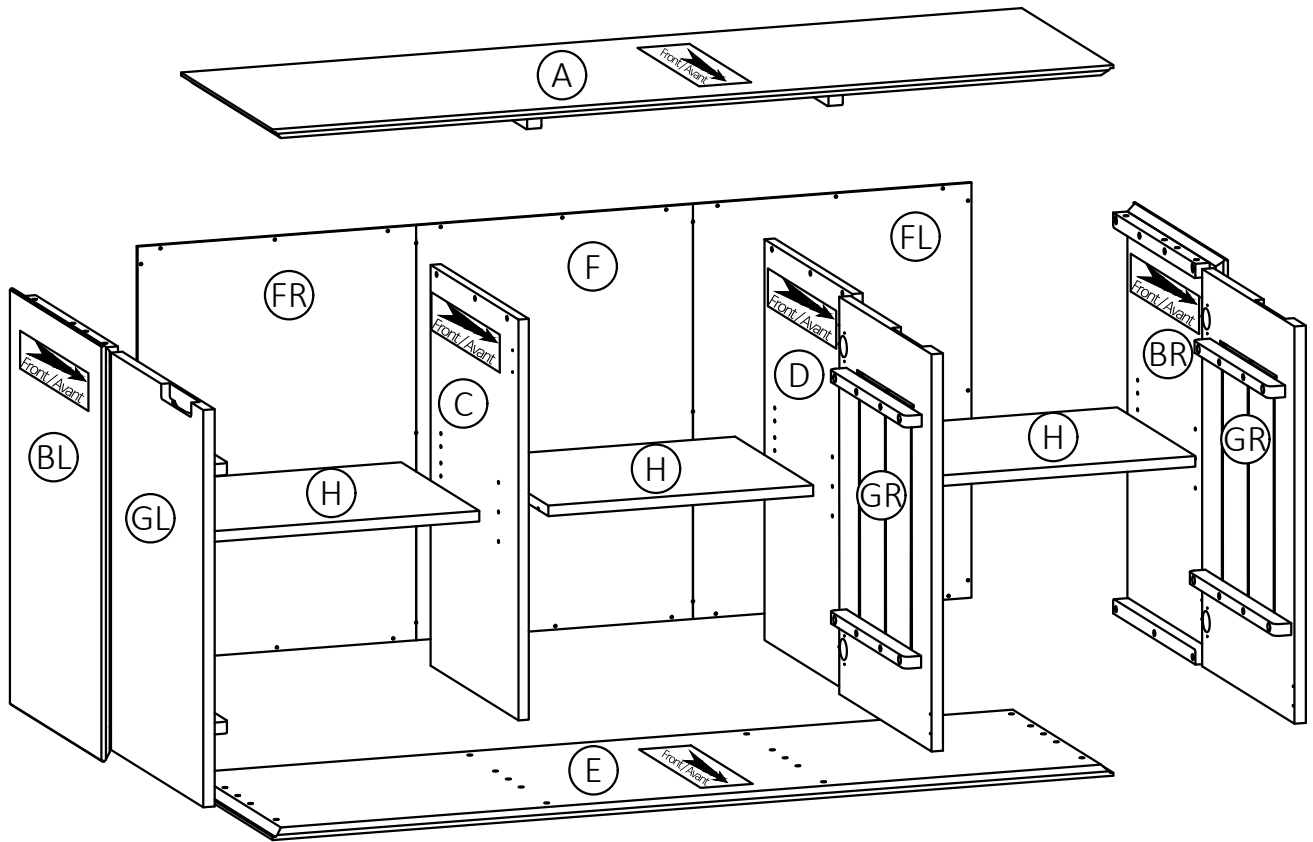
- Use a humidifier, preferably one with an automatic control system that can sense the humidity level and adjust itself accordingly
- Dust with soft dry cloth
- Wipe up spills promptly
- Clean with a dry cloth
- Do not use abrasive cleaners, chemical solvents, strong detergents, cleaners with bleach, and furniture polish
- Use soft felt base coasters, placemats to help prevent scratches
- Keep furniture out of direct sunlight, which can cause cracking or roughness on the protective layer
- If it can be avoided, do not put furniture near heating vents
- Keep the furniture 3 to 4 inches away from the wall, giving heat and air space to circulate.

Part Description

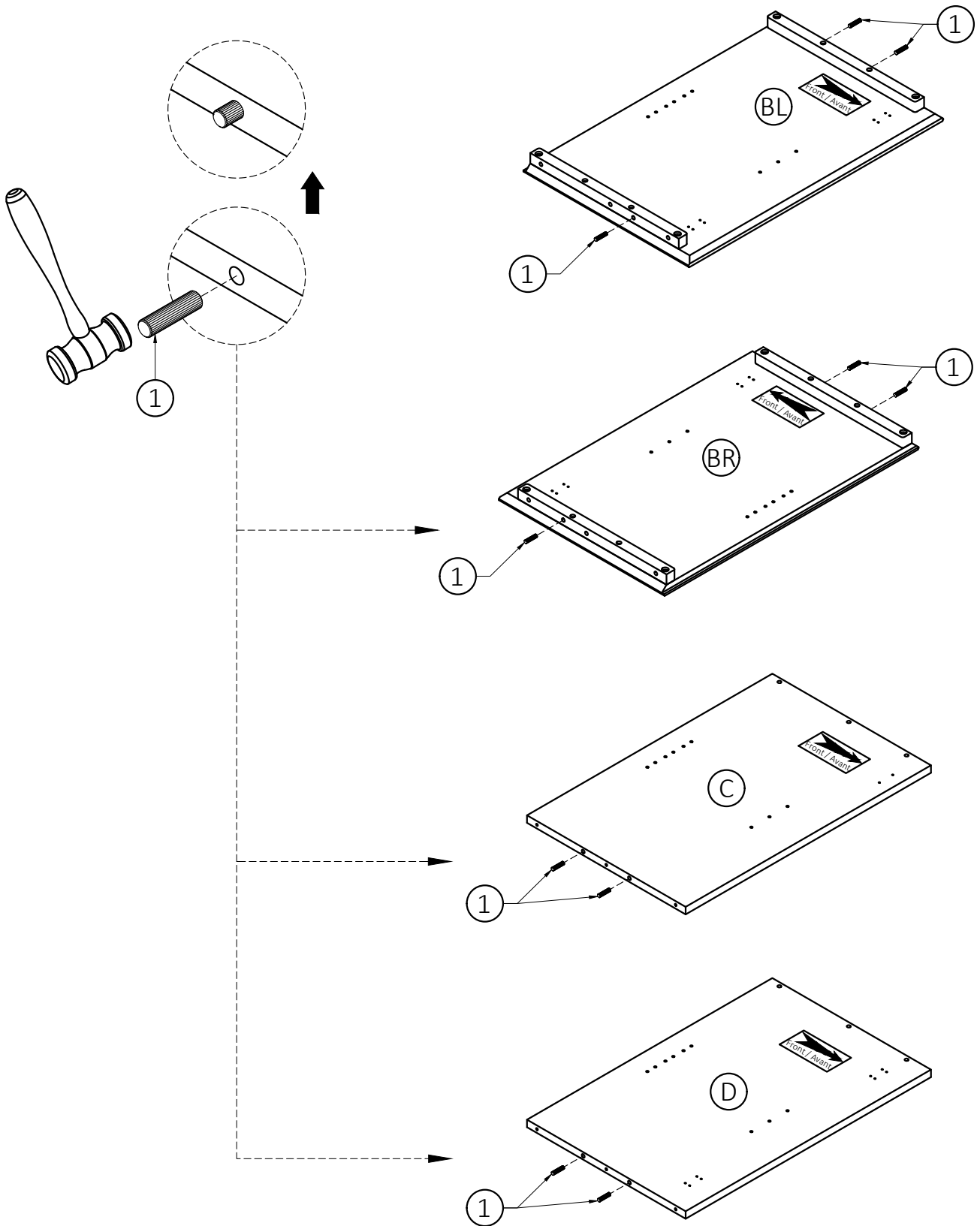


Hardware Description

<p>1</p>  <p>WOOD DOWEL Ø8 X 30mm QTY 10</p>	<p>2</p>  <p>ALLEN KEY SCREW M6 X 30mm QTY 12</p>	<p>3</p>  <p>ALLEN KEY QTY 1</p>	<p>4</p>  <p>ALLEN KEY BOLT M6 x 30 mm QTY 12</p>
<p>5</p>  <p>ALLEN KEY BOLT M6 x 15 mm QTY 10</p>	<p>6</p>  <p>LOCK WASHER Ø10 / Ø6.5 x 1.5 mm QTY 10</p>	<p>7</p>  <p>WASHER Ø16 / Ø6.5 x 1.5 mm QTY 16</p>	<p>8</p>  <p>PHILLIPS SCREW ROUND HEAD M4 X 15mm QTY 40</p>
<p>9</p>  <p>MAGNET AND PLATE QTY 3 SETS</p>	<p>10</p>  <p>PHILLIPS SCREW M3 X 15mm QTY 12</p>	<p>11</p>  <p>ADJUSTABLE HINGE Ø35 QTY 6 SETS</p>	<p>12</p>  <p>PHILLIPS SCREW M4 X 15mm QTY 36</p>
<p>13</p>  <p>SHELF SUPPORT QTY 18</p>	<p>14</p>  <p>FURNITURE TIP OVER RESTRAINT QTY 1 SET</p> <ul style="list-style-type: none"> a.  M4X25mm - QTY 2 (1 is extra) b.  M4X15mm - QTY 1 c.  M4X25mm - QTY 1 		 <p>Required - Flathead screwdriver Phillips screwdriver Rubber mallet Not Included</p>

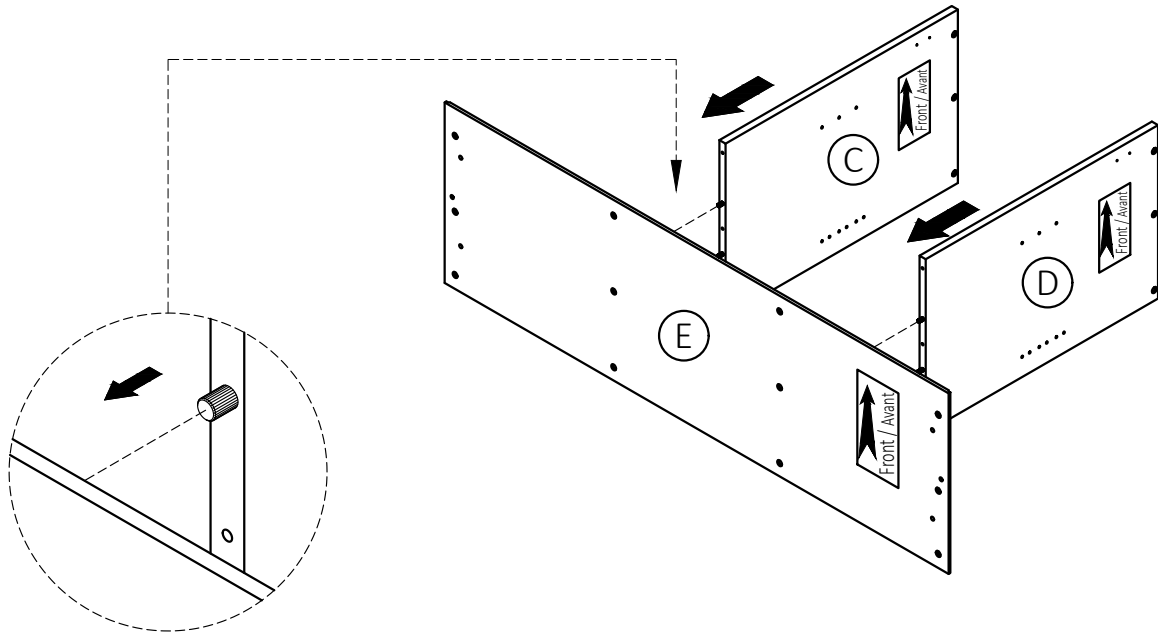


Step 1

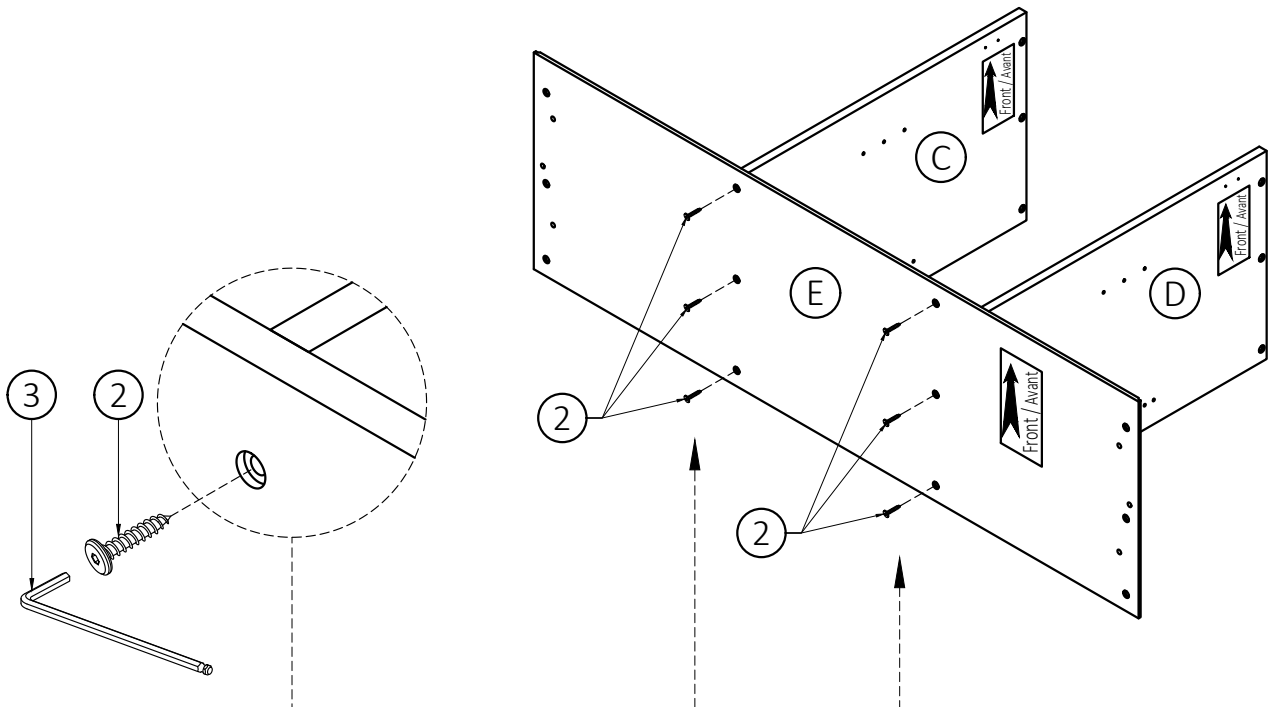


1. Insert Dowels ① into guide holes on Sides (BL, BR) and Dividers (C, D).
2. Use rubber mallet to tap Dowels ① into bottom of holes securely.
1/3 length of Dowels should be exposed.

Step 2

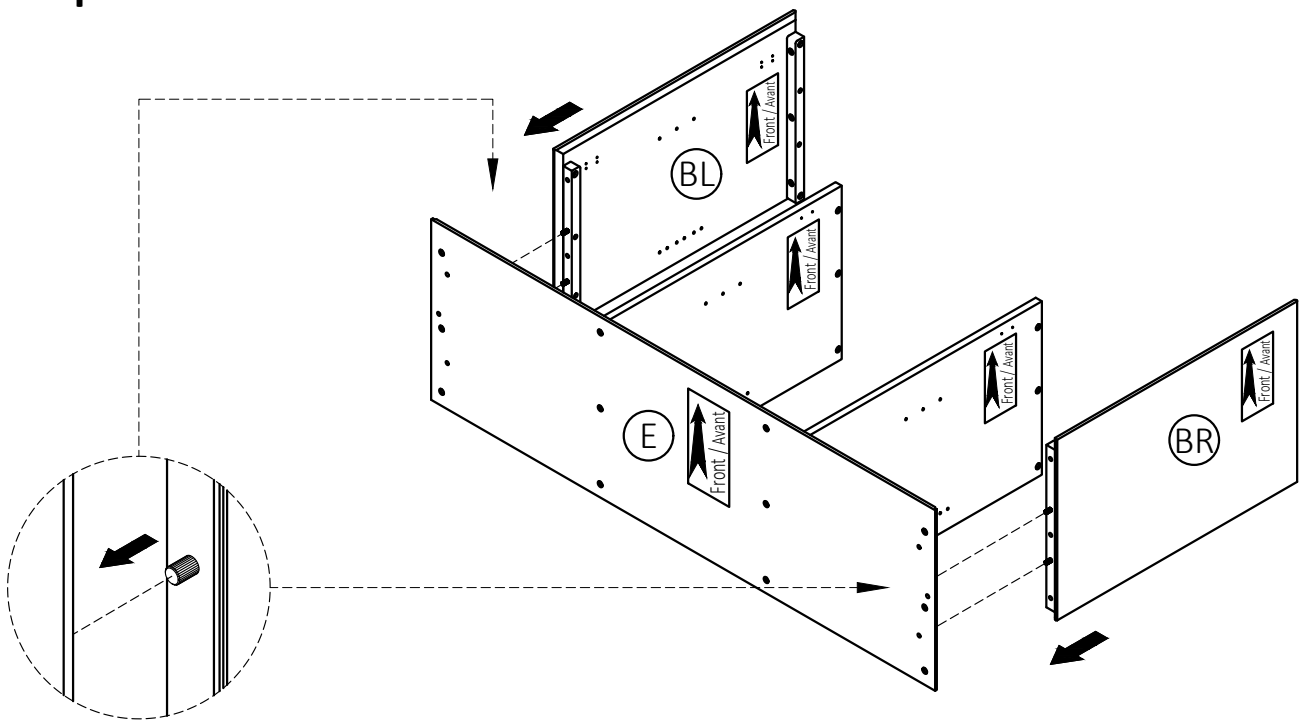


1. Align Wood Dowels with guide holes and attach Dividers (C), (D) to Bottom Shelf (E).

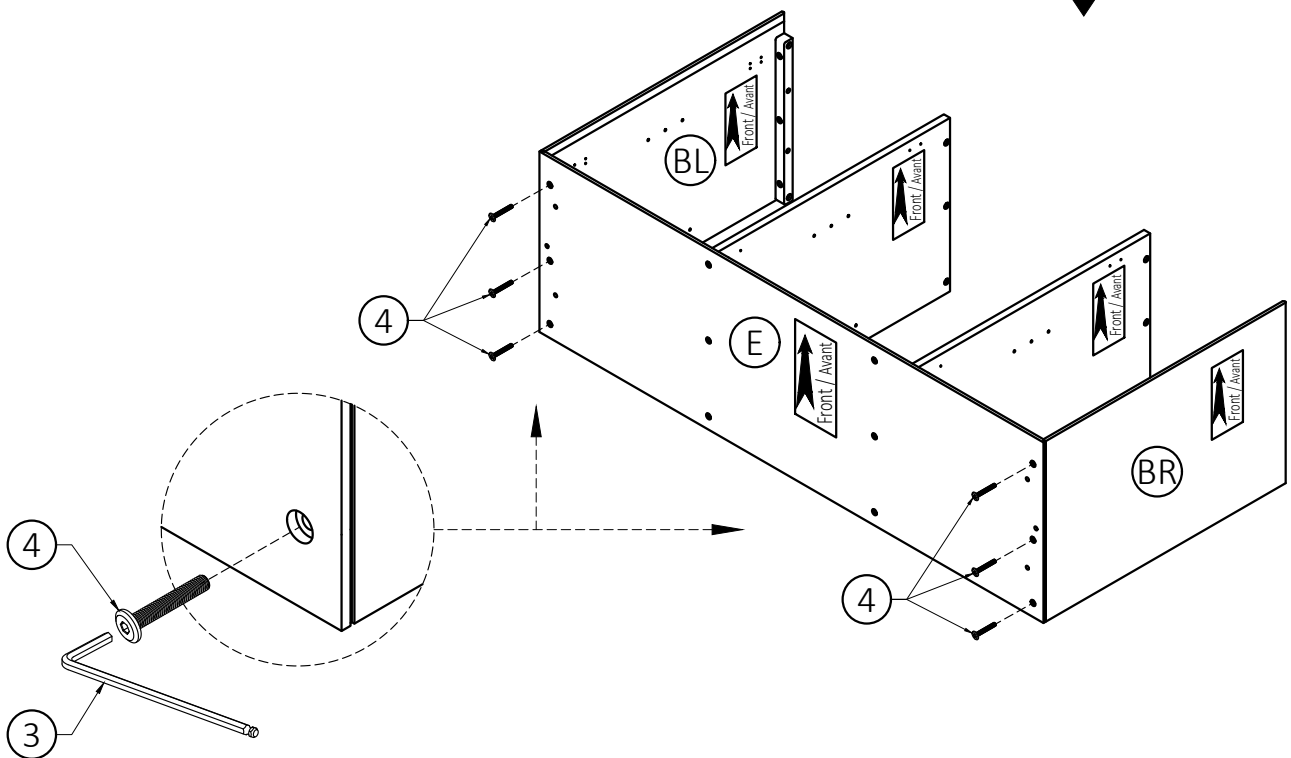


2. Use xis Allen Key Screws 2 (2) attach Dividers (C), (D) through guide holes.
3. Use Allen Key (3) to tighten Screws. Do not over-tighten.

Step 3

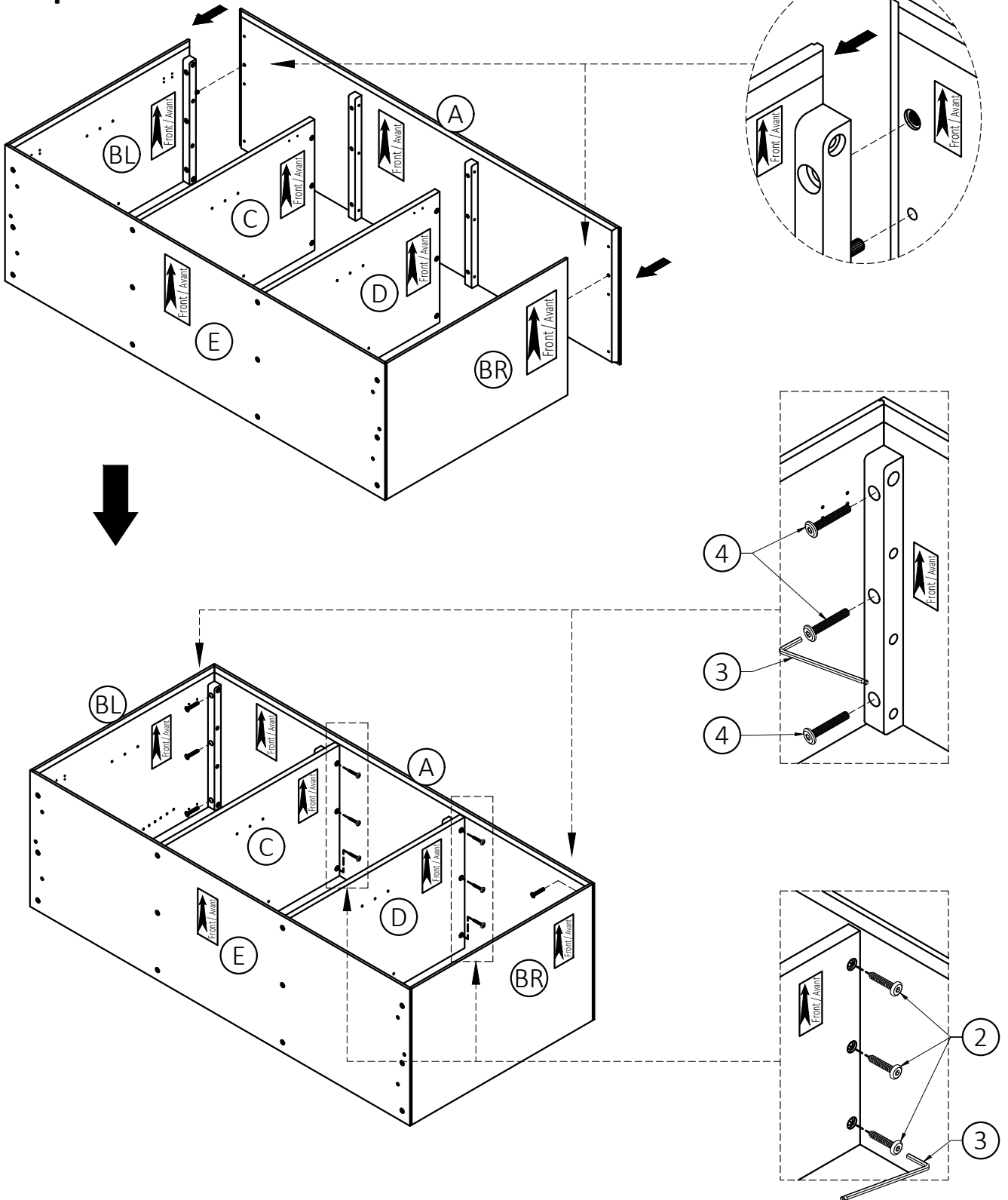


1. Align Wood Dowels with guide holes and attach Sides (BL), (BR) to Bottom Shelf (E).



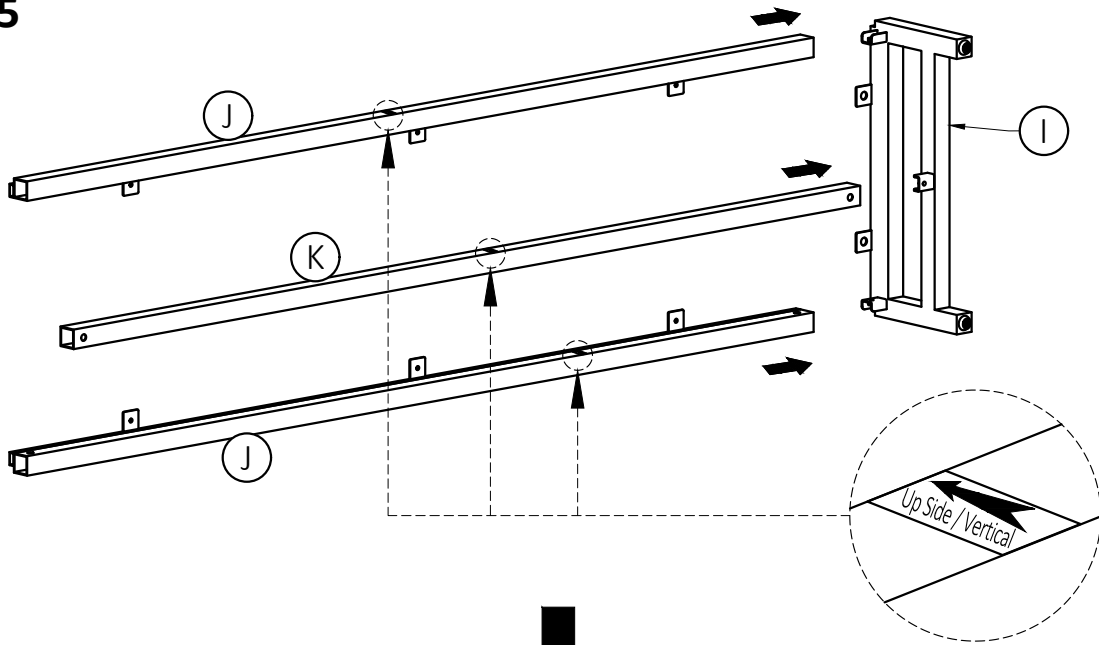
2. Use three Allen Key Bolts (4) to attach each Side (BL), (BR) through guide holes.
3. Use Allen Key (3) to tighten Bolts. Do not over-tighten.

Step 4

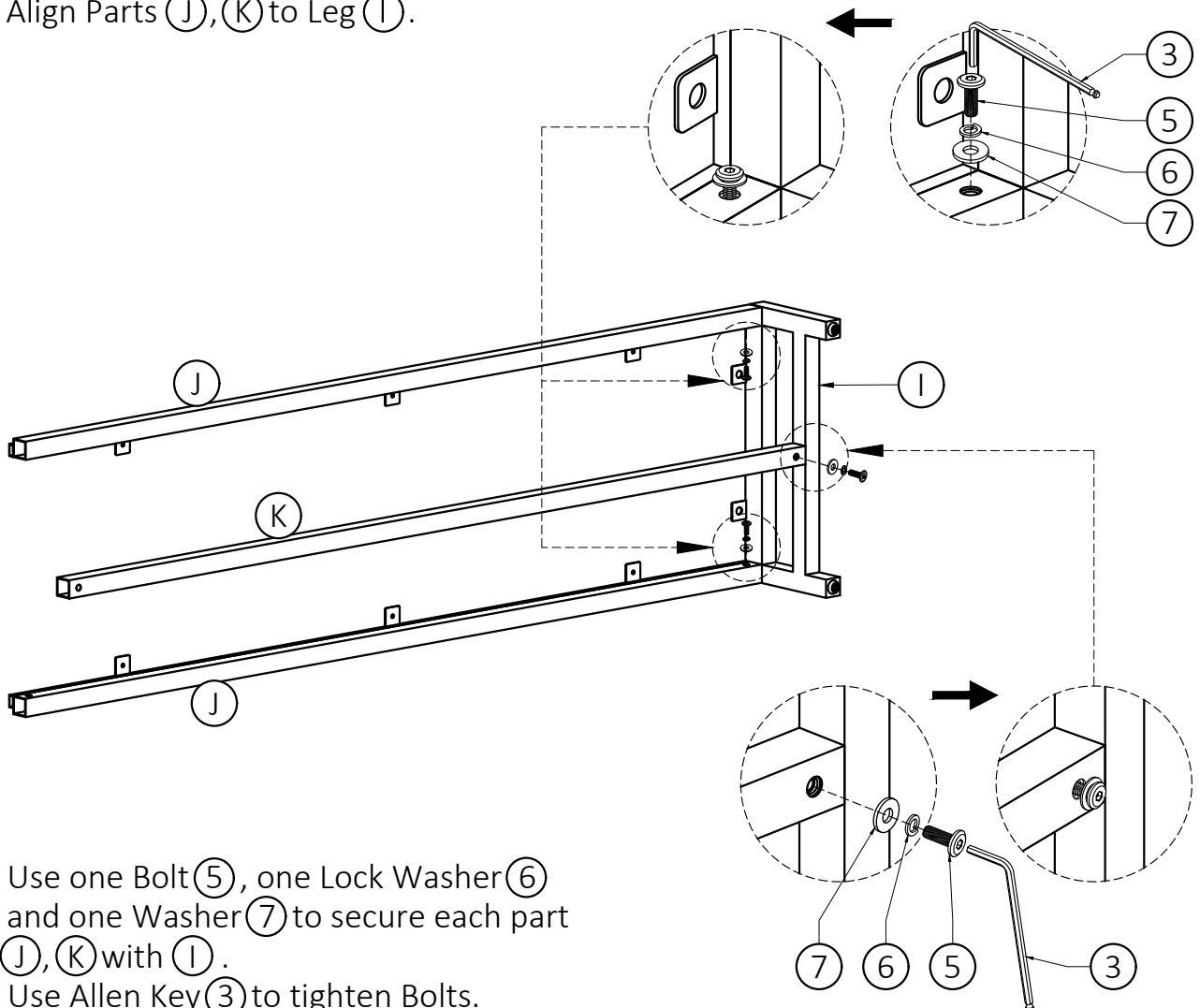


1. Align Wood Dowels with guide holes on Top (A) and attach Sides (BL), (BR) to Top (A).
2. Use three Allen Bolts (4) to attach each Sides (BL), (BR) through guide holes to Top (A).
3. Use three Allen Key Screws (2) to attach Dividers (C), (D) through guide holes to pre-drilled holes of Top (A).
4. Use Allen Key (3) to tighten Bolts and Screws. Do not over-tighten.

Step 5

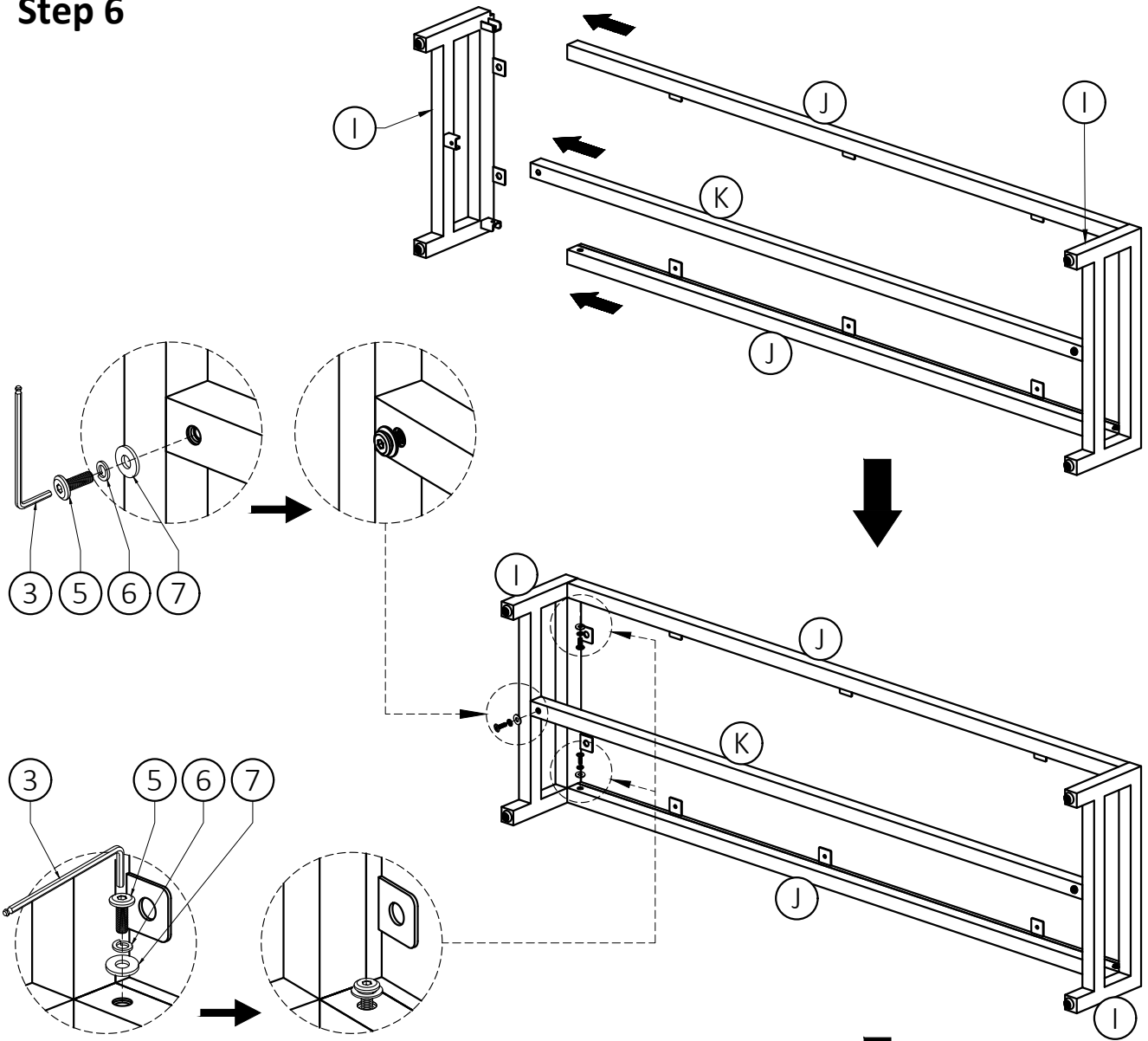


1. Align Parts (J), (K) to Leg (I).

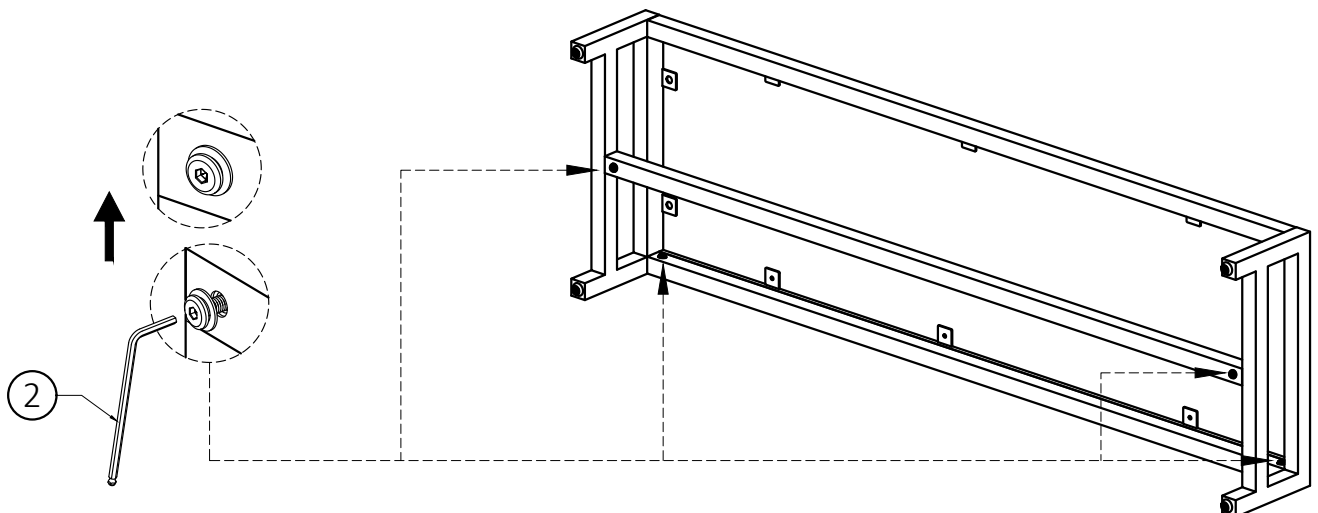


2. Use one Bolt (5), one Lock Washer (6) and one Washer (7) to secure each part (J), (K) with (I).
3. Use Allen Key (3) to tighten Bolts. Do not over-tighten.

Step 6

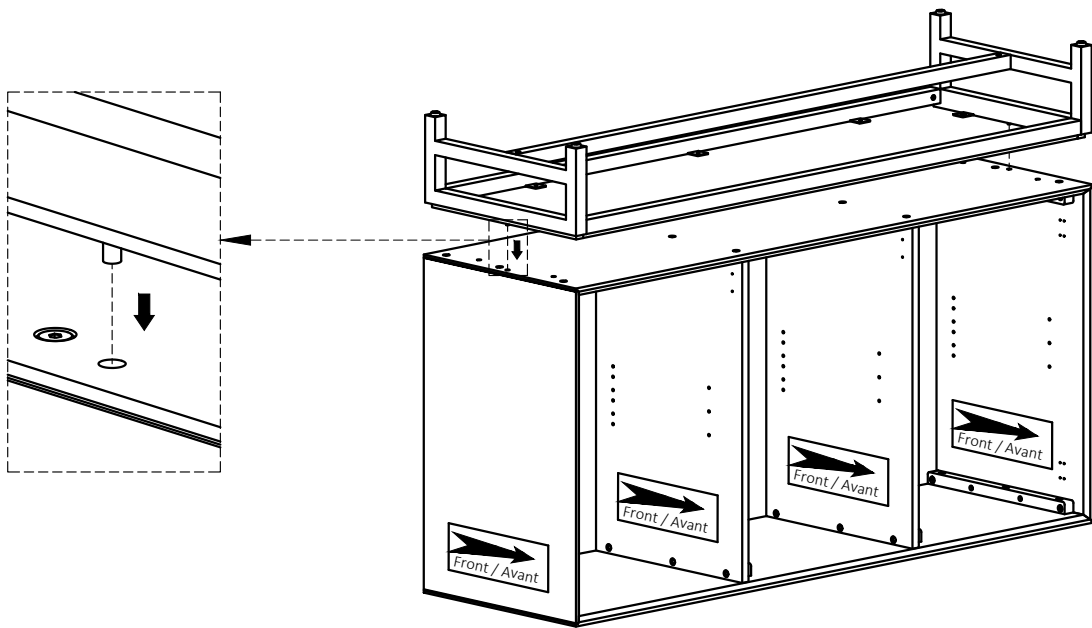


1. Repeat Step 5 for second Leg ①.

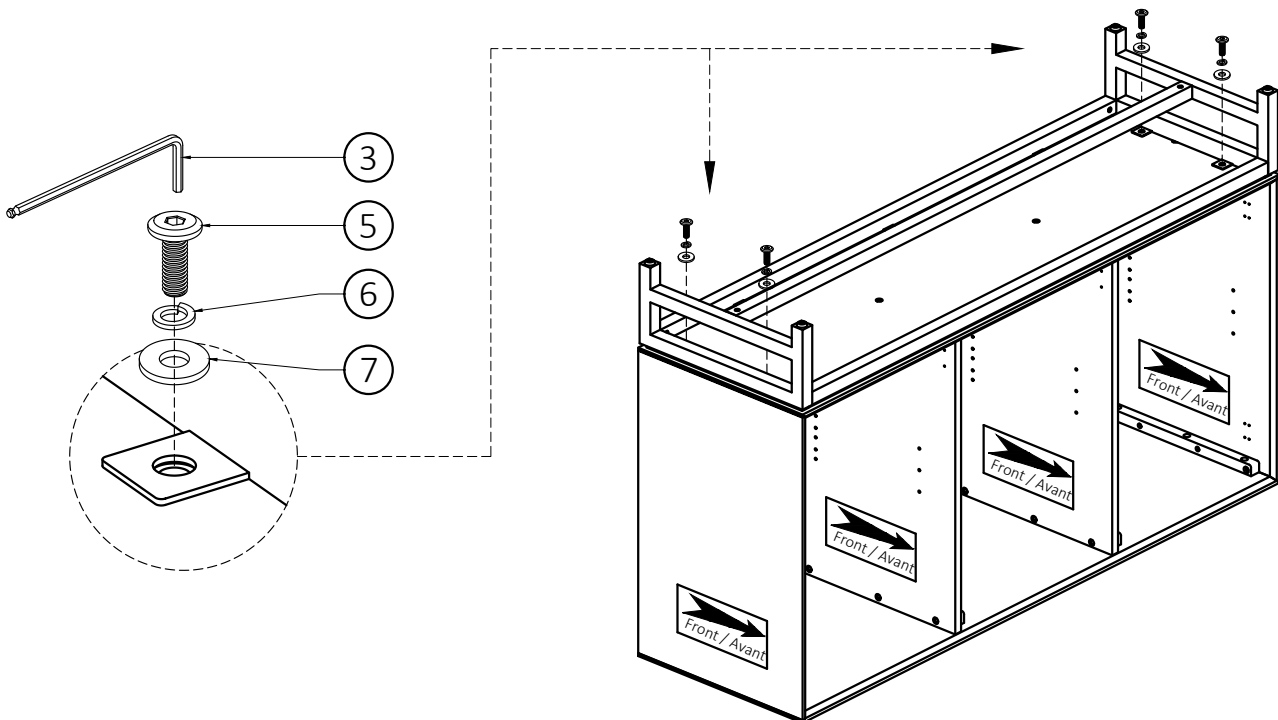


2. Use Allen Key ② to tighten Bolts.

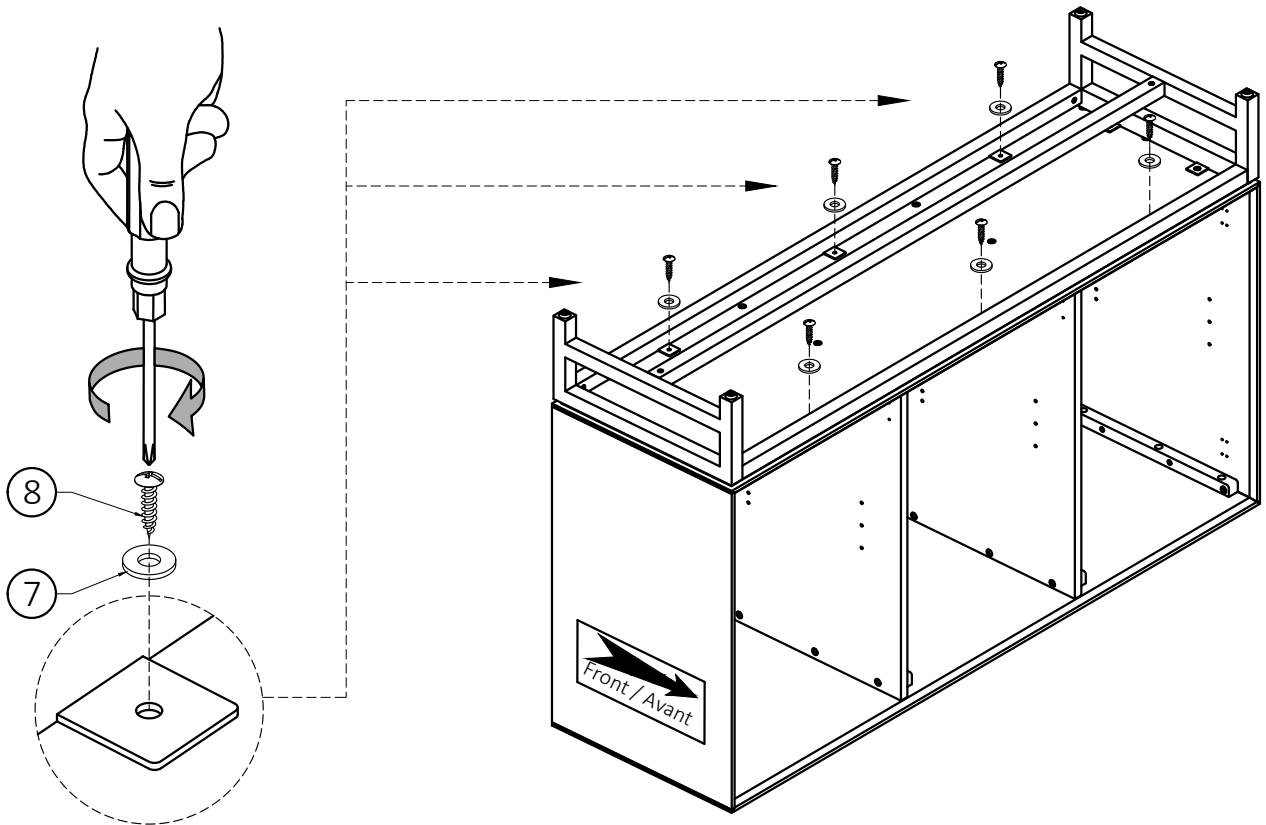
Step 7



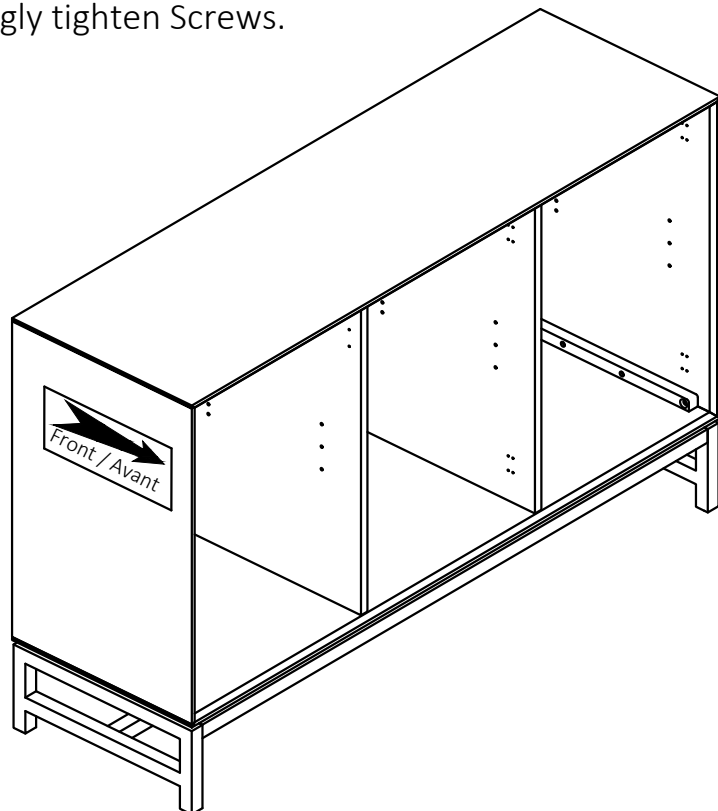
1. Align iron dowels with guide holes on wooden frame and attach the assembled metal frame to bottom wooden frame.



2. Use four Bolts (5), four Lock Washers (6) and four Washers (7) to secure metal frame and wooden frame .
3. Use Allen Key (3) to tighten Bolts.

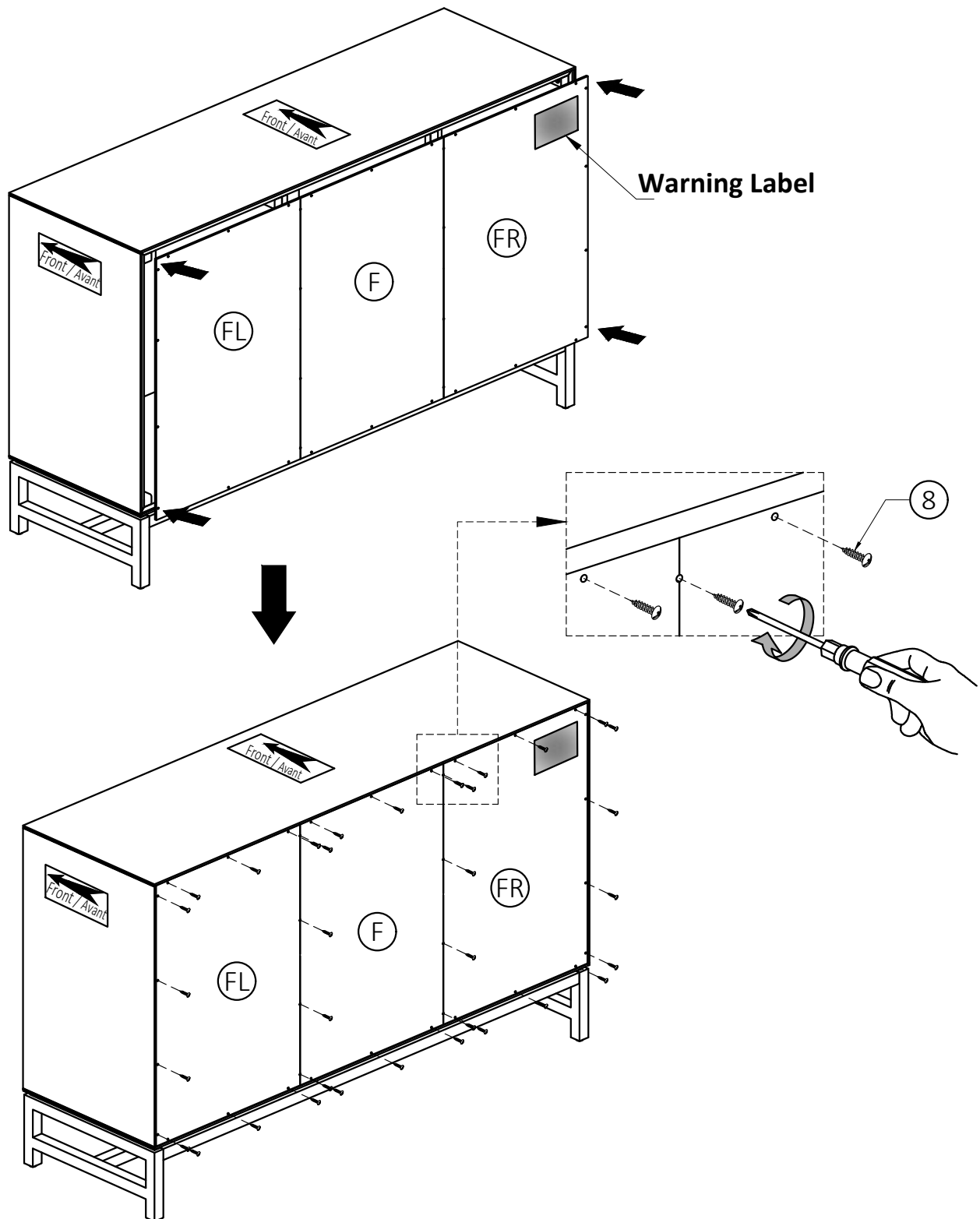
Step 8

1. Use six Phillips Screws Round Head (8) and six Washers (7) to secure wooden frame and metal frame.
2. Use Phillips screwdriver to snugly tighten Screws.



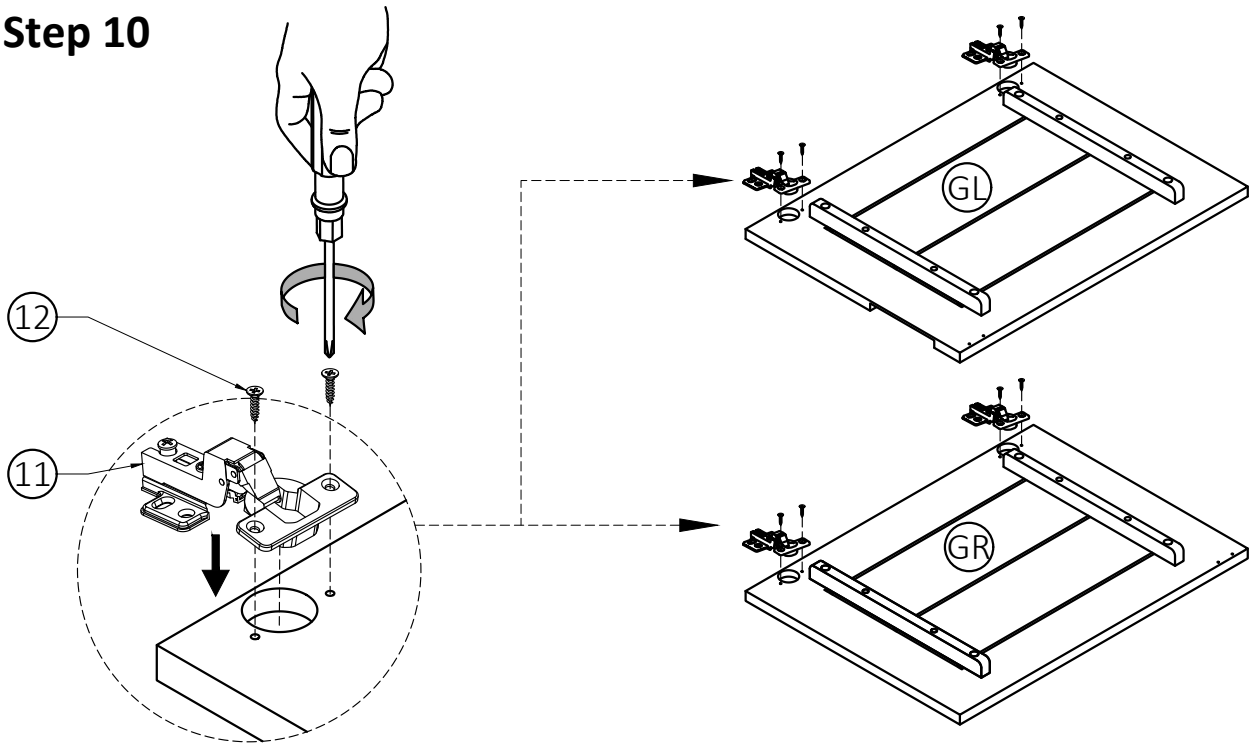
Step 9Note:

The back of the sideboard frame does not have pre-drilled holes to attach the back panels.

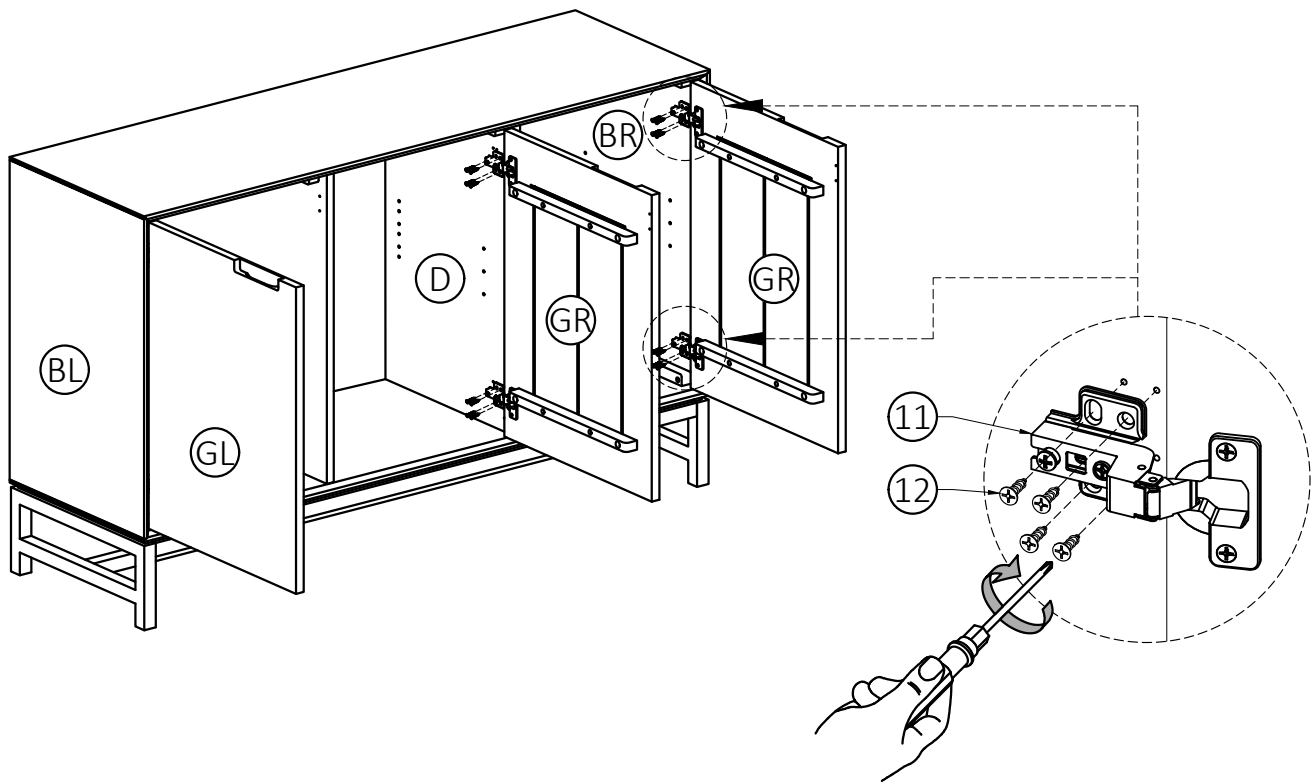


1. Attach the Back Panels (FL), (FR), (F) to back frame using Phillips Screws Round Head (8) through guide holes from Back Panels.
2. Use Phillips Screwdriver to tighten screws. Do not over-tighten.

Step 10

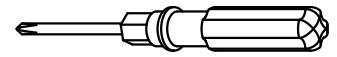


1. Attach Adjustable Hinges (11) to Doors (GL), (GR) using Phillips Screws (12) into pre-drilled holes on Doors (GL), (GR).

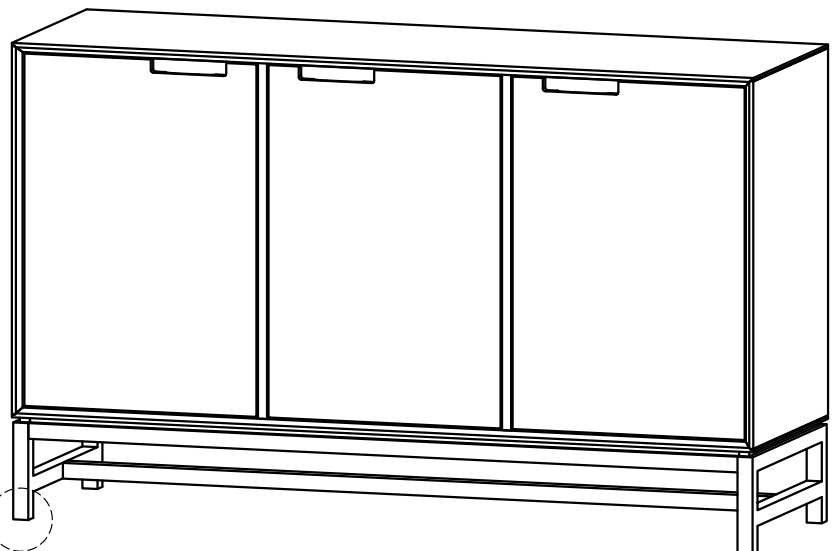
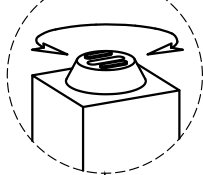
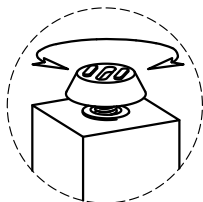
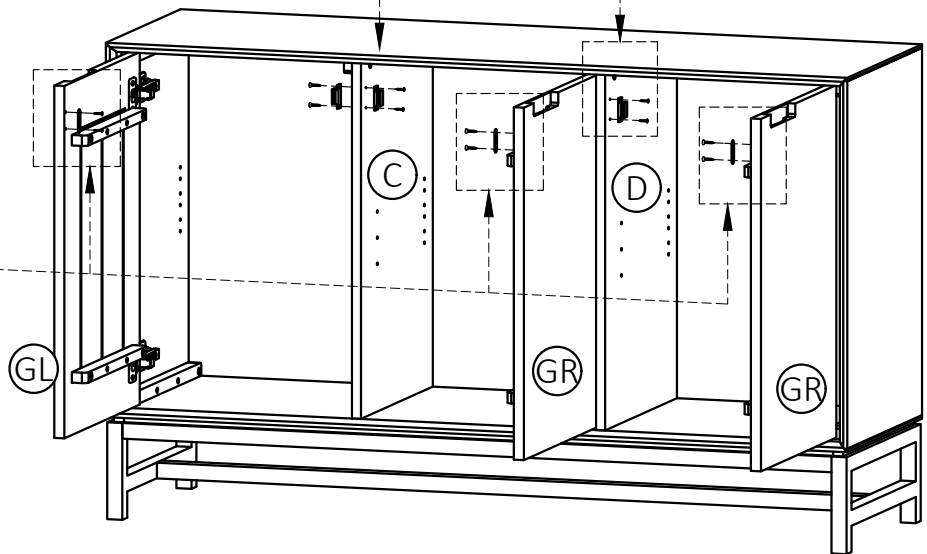
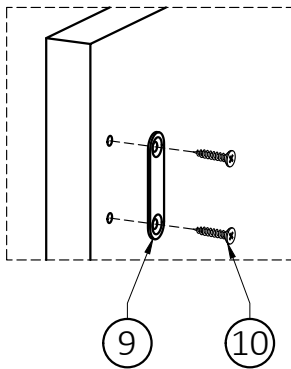
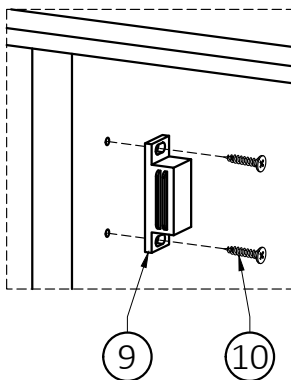


2. Attach Adjustable Hinges (11) on Doors (GL), (GR) to Sides (BL), (BR) and Divider (D) using Phillips Screws (12) into pre-drilled holes on Sides (BL), (BR).
3. Use Phillips screwdriver to snugly tighten screws.

Step 11



NOTE: The screwdriver is not included in the hardware pack.

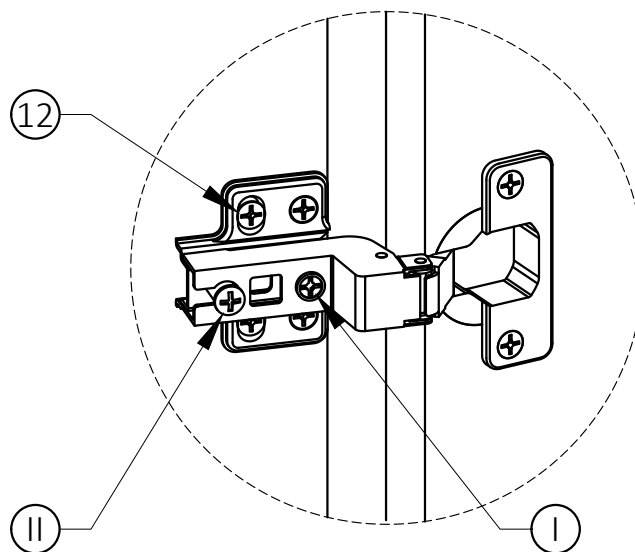
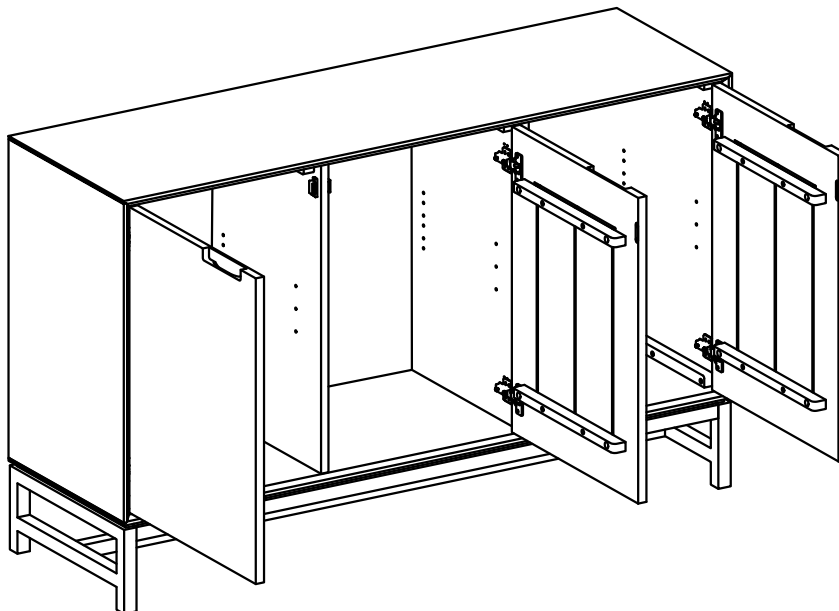


1. Attach Magnet Plates (9) to top corner of Doors (GL), (GR) using Phillips Screws (10) into pre-drilled holes on Doors (GL), (GR).
2. Attach Magnets (9) using Phillips Screws (10) into pre-drilled holes on Dividers (C), (D).
3. Use Phillips screwdriver to snugly tighten screw.

Note: Levelers on bottom of legs can be adjusted if floor is uneven.

Step 12

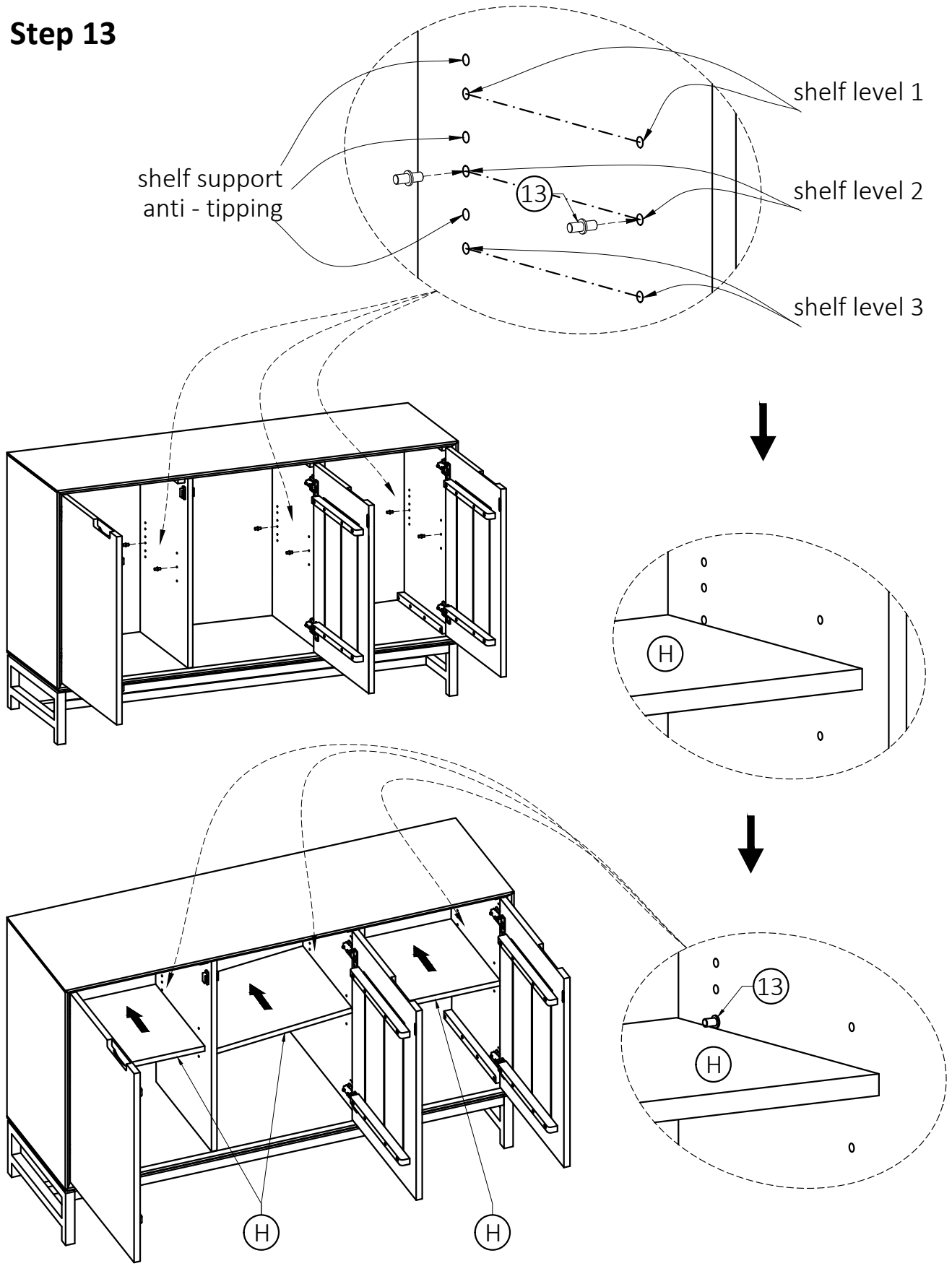
IMPORTANT NOTE:



Tighten the Screw marked (II) to fasten hinge. The door may need to be adjusted so that all the spaces between the door and the unit sides are equal. To adjust, follow instructions:

1. Side adjustment 4 mm
 To move the door towards the side panel, loosen screw (I) and tighten screw (II).
 To move the door away from the side panel, loosen screw (II) and tighten screw (I).
2. Depth adjustment 4 mm
 Loosen screw (II) (just one turn), adjust door to desired position, re-tighten screw.
3. Height adjustment
 Loosen screw (12) , adjust door to desired position, re-tighten screw .

Step 13



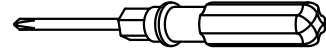
1. Use four Shelf Supports (13) for each Shelf (H) in desired location.
2. Two Shelf Supports (13) may be used on back top of each Shelf (H) as a tipping restraint.

Furniture Tip Over Restraint Assembly

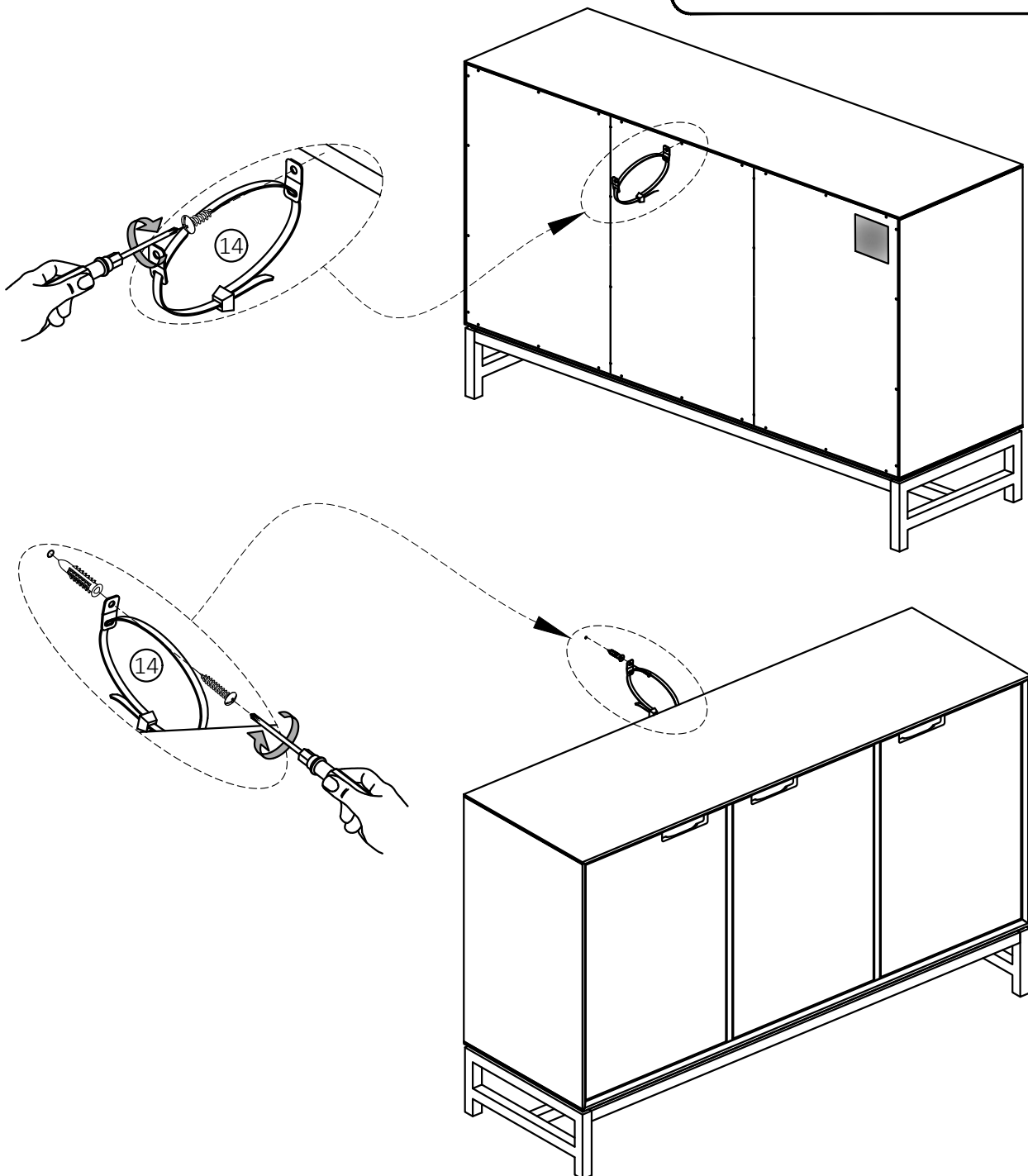
WARNING

Serious or fatal crushing injuries can occur from furniture tip-over. If the furniture tip over restraint kit is not in the box, please contact our customer service department in order to obtain another kit before using the furniture.

Step 14

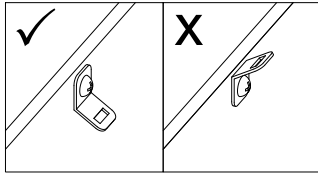


NOTE: The screwdriver is not included in the hardware pack.

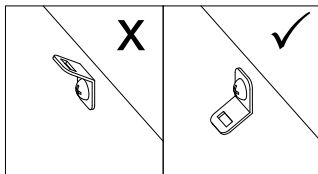


Furniture Anti-Tipping Restraint Instructions

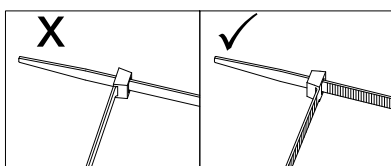
1. Attach one of the mounting brackets securely to the back edge of the furniture. Use the shorter screw.



2. Determine where furniture is to be placed and mark location on the wall for mounting bracket screw hole approximately 2 inches below the bracket mounted to the furniture.



3. Drill a 3/16 inch hole in the wall. Press the plastic anchor into the hole and gently tap until the flange on the anchor is against the wall surface.
4. Position the bracket over the anchor and use the longer screw to securely attach the bracket to the wall.
5. Place the furniture so the back edge is in line with the bracket on the wall.
6. Lace an end of the nylon zip-tie strap down through each bracket. Bring both ends together and slide the smooth side upright through the square-shaped end and pull through to create the "locked" position.
7. Check to make sure the strap is securely laced and locked to the brackets.



- **DO NOT** put a TV or other heavy objects on top of furniture not intended for use with a TV
- **DO NOT** place heavy objects in top drawers or on top shelves
- **DO NOT** let children climb or hang on drawers, doors or shelves