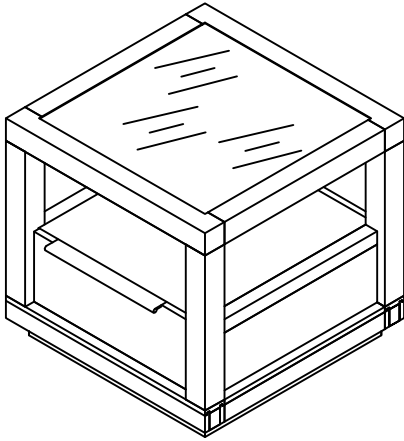


OXFORD END TABLE ASSEMBLY INSTRUCTIONS

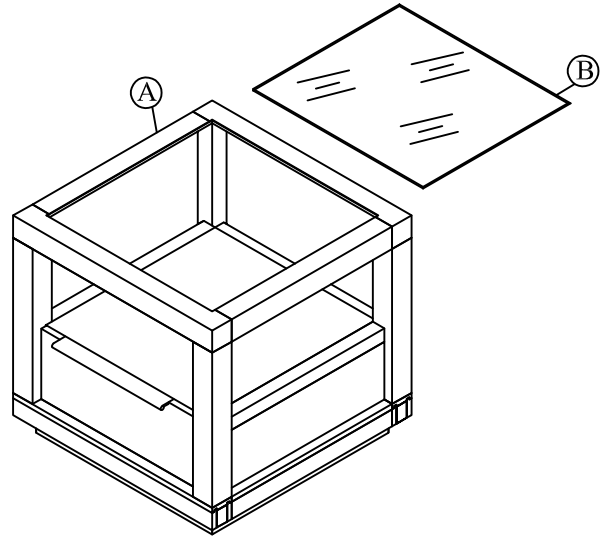


PARTS AND HARDWARE PACKAGING DETAIL

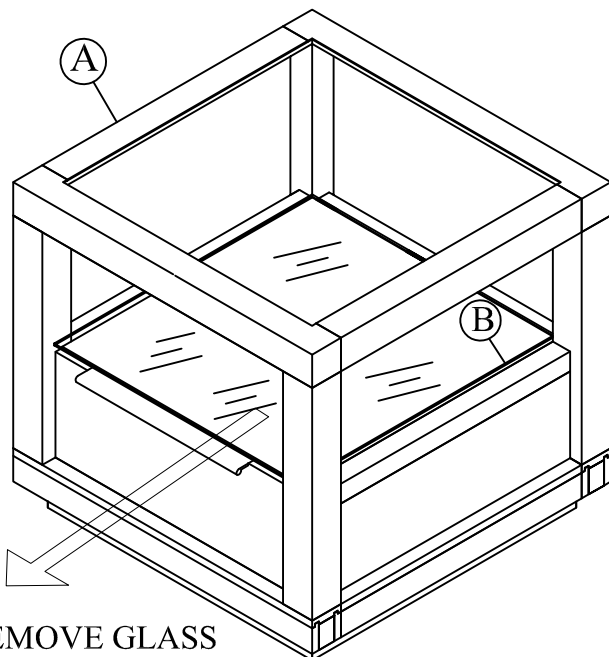
OXFORD END TABLE
ASSEMBLED



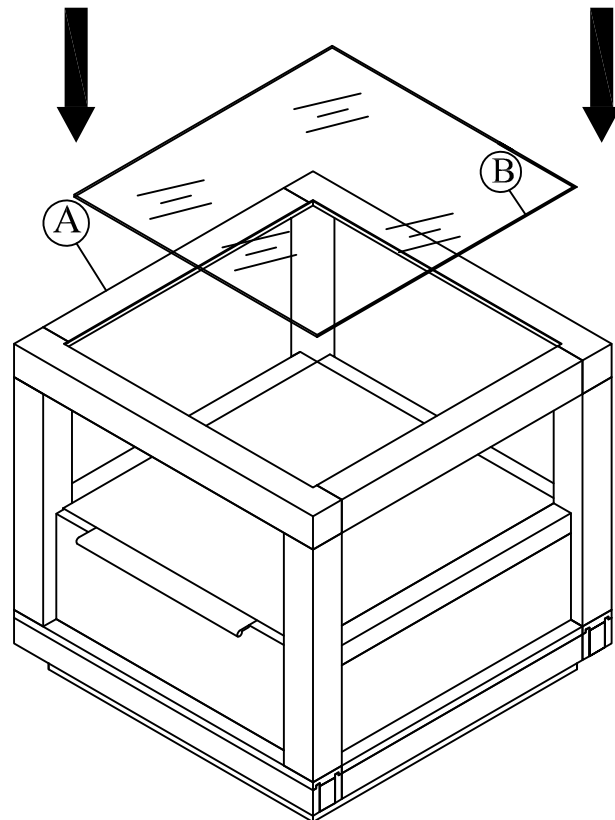
PACKING CONFIGURATION



STEP 1: CAREFULLY CUT THE STRAPS SECURING THE GLASS PANEL TO THE END TABLE.



REMOVE GLASS



STEP 2: WITH THE HELP OF A SECOND PERSON,
POSITION THE GLASS PANEL ONTO THE TOP
OF THE END TABLE.