

ELORA DRESSER MIRROR ASSEMBLY INSTRUCTIONS



BOX 1 - DRESSER MIRROR

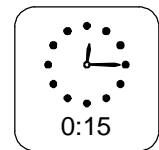
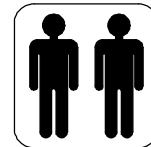
PART NO.	IMAGE	DESCRIPTION	QUANTITY
A		MIRROR	1
B		MIRROR SUPPORT	2

BOX 2 - 7 DRAWER DRESSER *SOLD SEPARATELY

PART NO.	IMAGE	DESCRIPTION	QUANTITY
C		DRESSER	1

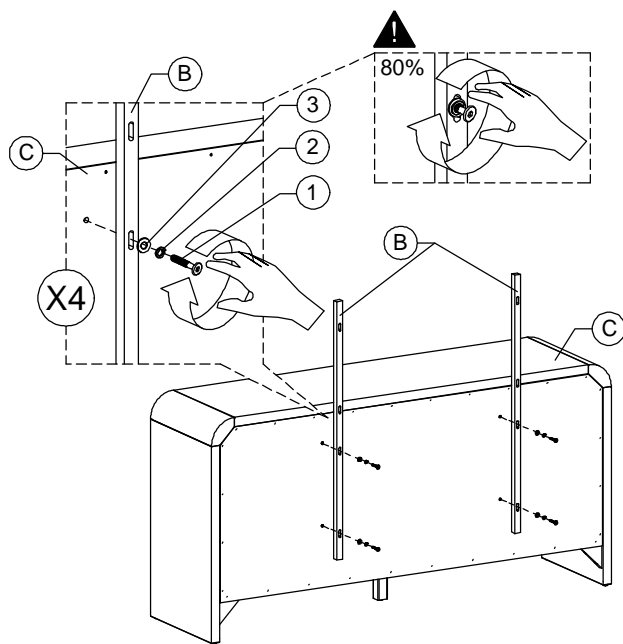
MIRROR HARDWARE KIT PACKED IN BOX 1

1		ALLEN BOLT (6X45mm)	8
2		SPRING WASHER (M6)	8
3		FLAT WASHER (M6)	8
4		ALLEN KEY	1

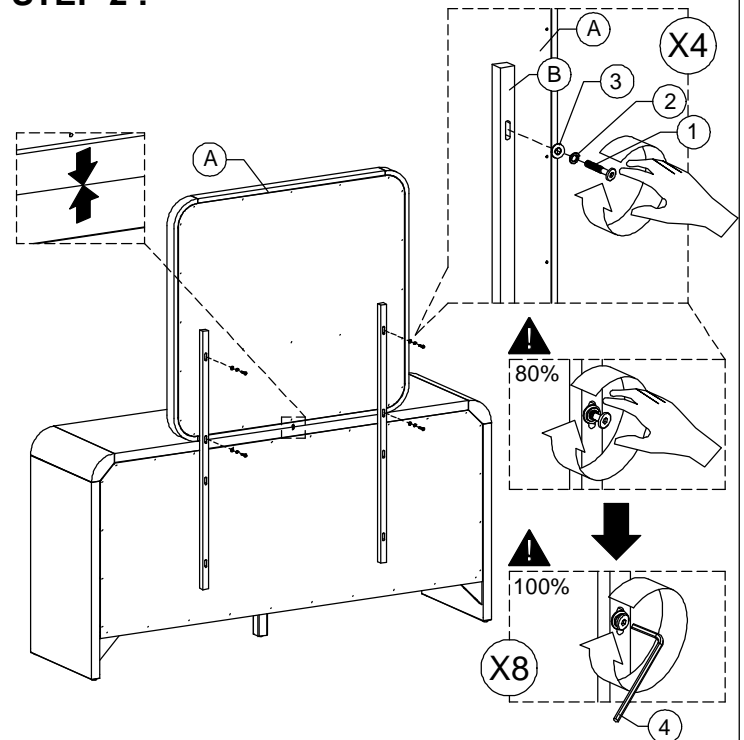


DRESSER MOUNTING

STEP 1 :



STEP 2 :



STEP 3 :

