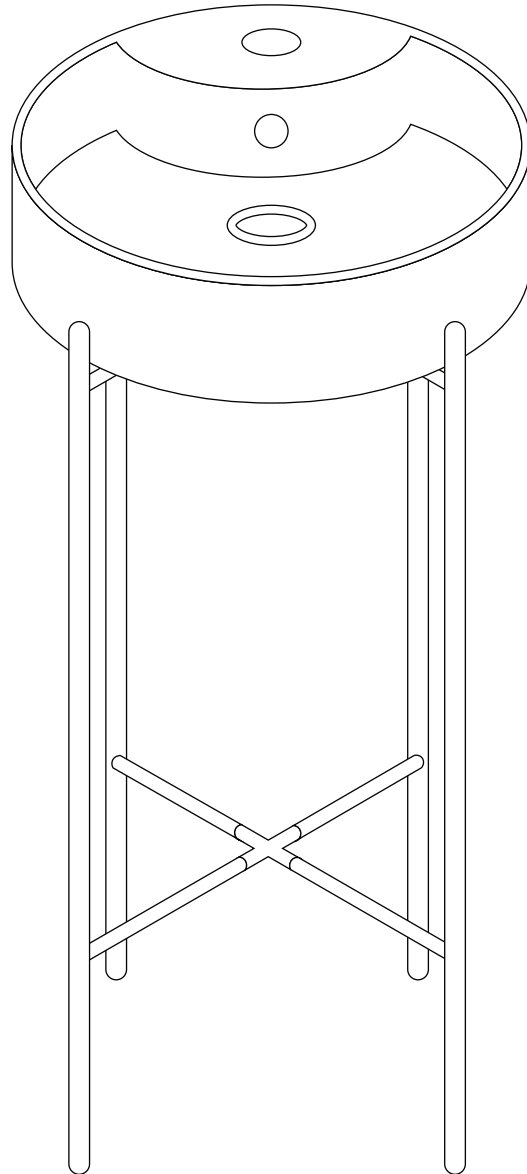


# Console Sink INSTALLATION INSTRUCTIONS

---

Swiss Madison®  
well made forever



@SwissMadison  
#WellMadeForever





## PRIOR TO INSTALLATION:

- Inspect product to ensure no damages have occurred while in shipping.
- Observe all plumbing and building codes in accordance with your state and local requirements.
- Floor must be level prior to installation of the console sink.
- All dimensions are nominal! Be sure to measure your console sink prior to installation.
- The step-by-step guidelines in the installation instructions are a general reference. Should there be any discrepancies, Swiss Madison cannot be held liable. It is recommended to install all Swiss Madison products by hiring a licensed professional.
- Read installation instructions thoroughly before installing. Be sure to use proper tools and always wear proper personal safety accessories for your protection.

If you have any questions or concerns please contact us:  
1-434-623-4766  
[info@swissmadison.com](mailto:info@swissmadison.com)

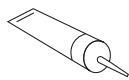
## SUGGESTED TOOLS & MATERIALS:



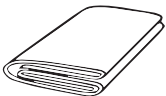
Safety Glasses



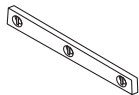
Gloves



Adhesive

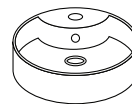


Drop Cloth

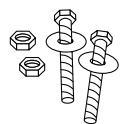


Level

## INCLUDED PARTS:



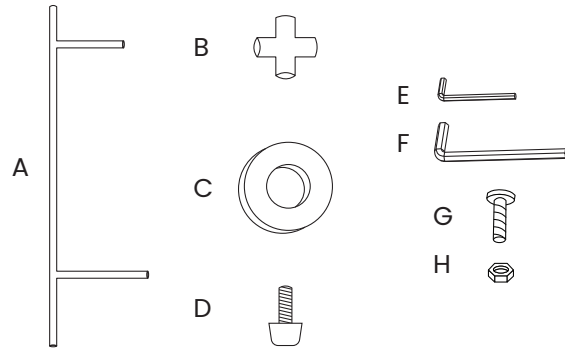
Vessel Sink & Legs Set



Mounting Hardware

## Parts for Reference:

- A. Legs (4)
- B. Cross Bracket (1)
- C. Round Bracket (1)
- D. Adjustable Rubber Feet (4)
- E. Small Allen Wrench (1)
- F. Large Allen Wrench (1)
- G. Screws for Round Bracket (4)
- H. Locking Nuts for Cross Bracket (4)



## 1. Assemble Frame

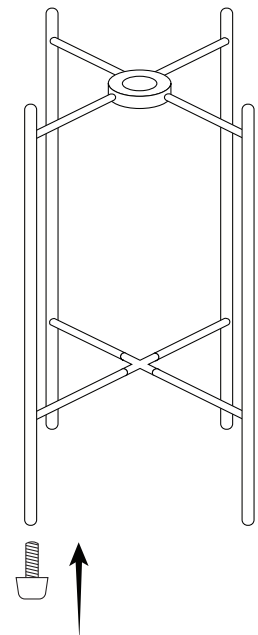
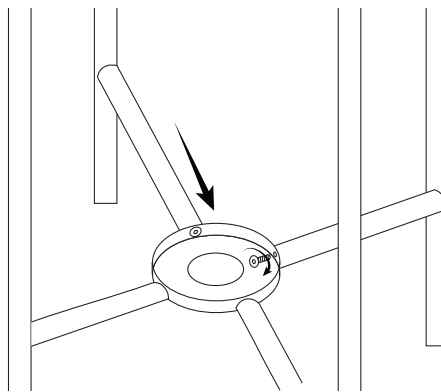
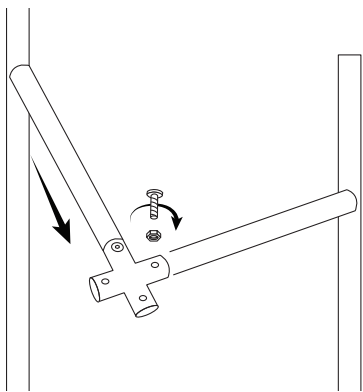
- Stand first leg (A) upside down and attach cross bracket (B) to the top horizontal bar, with the screw opening facing up (towards you).
- Stand the second leg (A) upside down and attach cross bracket (B) to the top horizontal bar, with the screw openings facing up (towards you). Repeat this for the final two legs so that all four legs are attached to the cross bracket.
- Begin securing the legs to the cross bracket. Using the smaller Allen wrench (E), attach the locking nuts (H) to each opening on the cross bracket until fully secure.

**NOTE:** Tighten using a quarter-turn at a time to avoid damage to the legs or bracket.

- With the frame upside down, attach the round bracket (C) to all four horizontal bars on the opposite ends of the legs using screws (G).

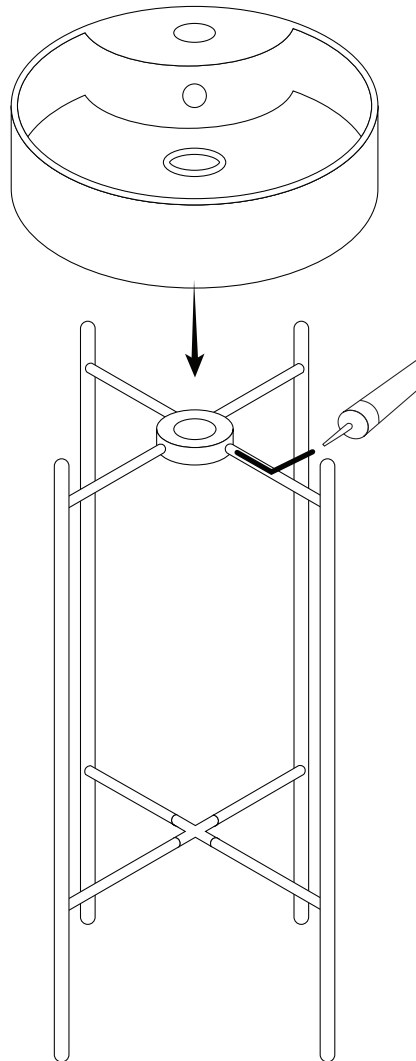
**NOTE:** The inside of the round bracket should be facing up (towards you). Do not fully tighten any screw until all four screws (G) are loosely attached to each leg.

- Add the adjustable rubber feet (D) to the openings on each leg. Once the frame is secure, flip the frame and adjust the feet as needed until level.



## 2. Attach Sink

- Place the vessel sink on the top of the frame. Make sure the drain hole is aligned with the round bracket (C).
  - Gently lift the sides of the basin to apply a small line of adhesive on to each bar of the frame.
- NOTE:** The basin will be fully stable after you attach your plumbing to the sink drain.



## ONE YEAR LIMITED WARRANTY

Swiss Madison® products are made with quality materials and excellent craftsmanship to provide our customers with beautiful, durable, long-lasting products. Should there be any defects in materials or craftsmanship under regular use that are discovered within the first year of installation, Swiss Madison® will provide replacement parts at no charge, or at its discretion, replace any product or part of the product that is deemed defective, under normal installation, use, service or maintenance. This warranty applies only to the original purchaser. Proof of purchase will be required in the instance of a claim.

Swiss Madison® recommends all installations of Swiss Madison® products to be conducted by a licensed, professional plumber or contractor. Swiss Madison® will not be held responsible for any damage or product failure due to improper installation, misuse, or failure to utilize a licensed professional for installation. Swiss Madison® is not responsible for any installation or removal costs.

### **This One Year Limited Warranty Will Be Voided If:**


- The installation recommendations were not followed by the installer
- The product has been moved from its initial place of installation
- The product has in any way been modified from its packaged state
- The product has been subjected to improper maintenance, abuse, misuse, excessive use of chemicals, accidents, or other damages, etc.

Swiss Madison® makes no implication that its products comply with any local building or plumbing codes. It is the consumer's responsibility and obligation to determine local code compliance prior to and during installation. This warranty extends only to the original purchaser and first consumer.

Swiss Madison® is not responsible for any special, incidental or consequential damages associated with the installation, replacement, return or use of the original purchaser's product. This includes, but is not limited to: freight costs, labor, travel time, lost profit, home damages and other contingent liabilities and costs (including, without limitation, costs associated with 'professionals' or 'experts', investigations, audits, analyses, attorneys and any other professional/hired services).

The Swiss Madison® warranty is a comprehensive and explicit limit of liability. All items not disclosed within the warranty are not addressable within the responsibility of Swiss Madison®. Certain states have variances regarding implied warranties; in those situations, we remain fully compliant.

**If you have any questions or concerns, please contact us directly at  
1-434-MADISON (623-4766)**

 **WARNING:** Contents of your order may contain sharp and possibly other harmful pieces and may cause hazard to children and adults. Swiss Madison® is not responsible in any way for personal damages.