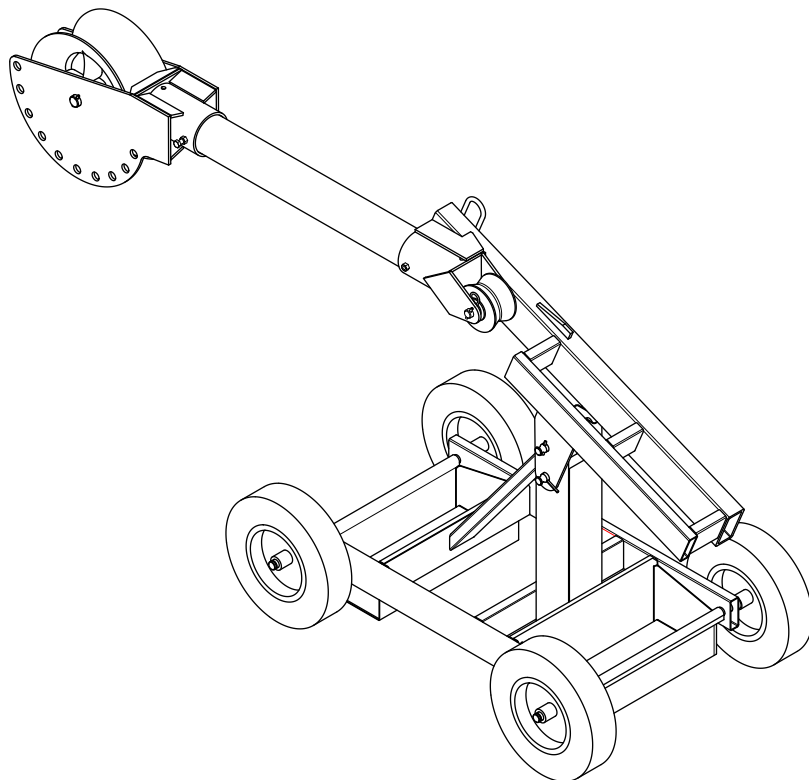


# INSTRUCTION MANUAL



## 11147

# Ultra Tugger<sup>®</sup> Adapter Package for use with Greenlee 640 and 6001



**Read and understand** all of the instructions and safety information in this manual before operating or servicing this tool.

Register this product at [www.greenlee.com](http://www.greenlee.com)

## Table of Contents

|   |       |
|---|-------|
| Description .....                                       | 2     |
| Safety .....  | 2     |
| Purpose of this Manual .....                            | 2     |
| Important Safety Information .....                      | 3-4   |
| Identification—Boom Mount Adapter.....                  | 5     |
| Specifications.....                                     | 5     |
| Identification—VersiBoom™ Components.....               | 6     |
| Setup   |       |
| Wheeled Carriage .....                                  | 7     |
| Mounting Components.....                                | 8-10  |
| Typical Setups .....                                    | 11-12 |
| Illustration and Parts List—<br>Boom Mount Adapter..... | 13    |
| Accessories   |       |
| Nose Unit .....   | 14    |
| Elbow Unit .....  | 15    |
| Couplers .....  | 16    |
| Boom Tubes.....   | 16    |
| T-Stand .....   | 17    |
| Wheeled Carriage .....                                  | 17    |

## Description

The Greenlee 640 Tugger® and 6001 Super Tugger® that you already own can now attach to the same wheeled carriage that the Ultra Tugger® cable puller uses.

The Ultra Tugger® 640/6001 Adapter Package comes pre-assembled. All you need to do is add your cable puller and you'll be pulling cable faster and easier, with no more anchors to set or chains to mount.

## Safety

Safety is essential in the use and maintenance of Greenlee tools and equipment. This instruction manual and any markings on the tool provide information for avoiding hazards and unsafe practices related to the use of this tool. Observe all of the safety information provided.

## Purpose of this Manual

This manual is intended to familiarize all personnel with the safe operation and maintenance procedures for the following Greenlee tool:

11147 Ultra Tugger® Adapter Package

Replacement manuals are available upon request at no charge at [www.greenlee.com](http://www.greenlee.com).

All specifications are nominal and may change as design improvements occur. Greenlee Tools, Inc. shall not be liable for damages resulting from misapplication or misuse of its products.

Tugger, Super Tugger and Ultra Tugger are registered trademarks and VersiBoom is a trademark of Greenlee Tools, Inc.

# **KEEP THIS MANUAL**

## IMPORTANT SAFETY INFORMATION



### SAFETY ALERT SYMBOL

This symbol is used to call your attention to hazards or unsafe practices which could result in an injury or property damage. The signal word, defined below, indicates the severity of the hazard. The message after the signal word provides information for preventing or avoiding the hazard.

### ⚠ DANGER

Immediate hazards which, if not avoided, **WILL** result in severe injury or death.

### ⚠ WARNING

Hazards which, if not avoided, **COULD** result in severe injury or death.

### ⚠ CAUTION

Hazards or unsafe practices which, if not avoided, **MAY** result in injury or property damage.



### ⚠ WARNING

Read and understand all of the instructions and safety information in this manual and your cable puller manual, before operating or servicing this tool.

Failure to observe this warning could result in severe injury or death.

### ⚠ WARNING

Rope, cable, or a connecting device can break under tension, causing the rope to whip violently.

- Do not allow any unnecessary personnel to remain in the area during the pull.
- Do not allow any personnel to stand in line with the pulling rope.

Failure to observe these warnings could result in severe injury or death.

### ⚠ WARNING

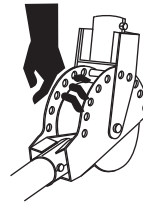


Tangle Hazard:

Do not wrap rope around hands, arms, waist or other body parts. Do not stand in spent coils or tailed rope. Hold rope so that it may be released quickly.

Failure to observe this warning could result in severe injury or death.

### ⚠ WARNING



Shear Point:

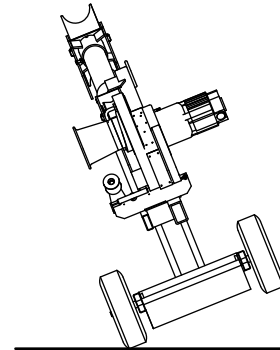
Do not put fingers through holes in elbow unit. Rotating parts could cut off fingers.

Failure to observe this warning could result in severe injury or death.

### ⚠ WARNING

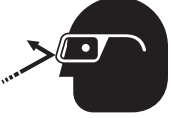
When using the wheeled carriage to transport the VersiBoom™:


- Keep personnel out of the path of transport.
- Evaluate the terrain of over which the carriage is to move. If in doubt, obtain additional help and move the carriage slowly.
- Do not transport over inclines of more than 15°.
- Do not transport the carriage with boom tubes longer than the supplied 3' and 4' tubes.




Failure to observe this warning, could result in severe injury or death.

**IMPORTANT SAFETY INFORMATION**

|   |  |
|---|--|
|  | <p><b>⚠ WARNING</b></p>  |
|   | <p><b>Flying Debris Hazard:</b><br/>Wear eye protection when using this tool.<br/>Failure to wear eye protection could result in severe eye injury from flying debris.</p> |

|   |   |
|---|---|
|  | <p><b>⚠ WARNING</b></p>   |
|   | <p><b>Falling Object Hazard:</b><br/>Do not stand directly under a vertical pull. Cable could fall suddenly from the conduit.<br/>Failure to observe this warning could result in severe injury or death.</p> |

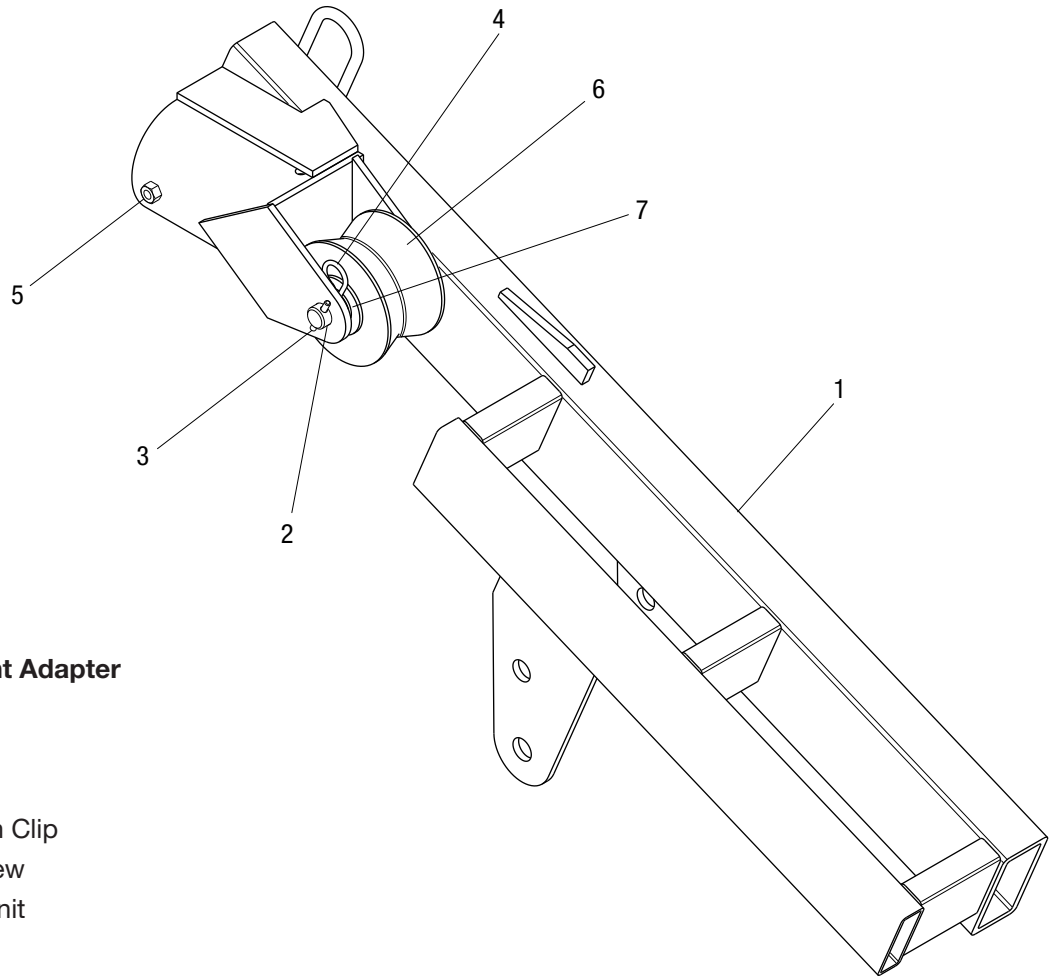
|   |
|---|
| <p><b>⚠ WARNING</b></p>   |
| <p>For use only with Greenlee Model 640 and 6001 cable pullers.<br/>Use with other pullers may result in insecure mounting and improper rope alignment.<br/>Failure to observe this warning could result in severe injury or death.</p> |

|   |   |
|---|---|
|  | <p><b>⚠ WARNING</b></p>   |
|   | <p>Inspect and verify the maximum load-bearing capacity or maximum strength of all structural supports, pulling system components and anchoring systems before setting up the puller. Any component that cannot withstand the maximum cable-pulling forces could break and strike nearby personnel with sufficient force to cause severe injury or death.</p> |

*Note: Keep all decals clean and legible, and replace when necessary.*

**Identification – Boom Mount Adapter**

50111450



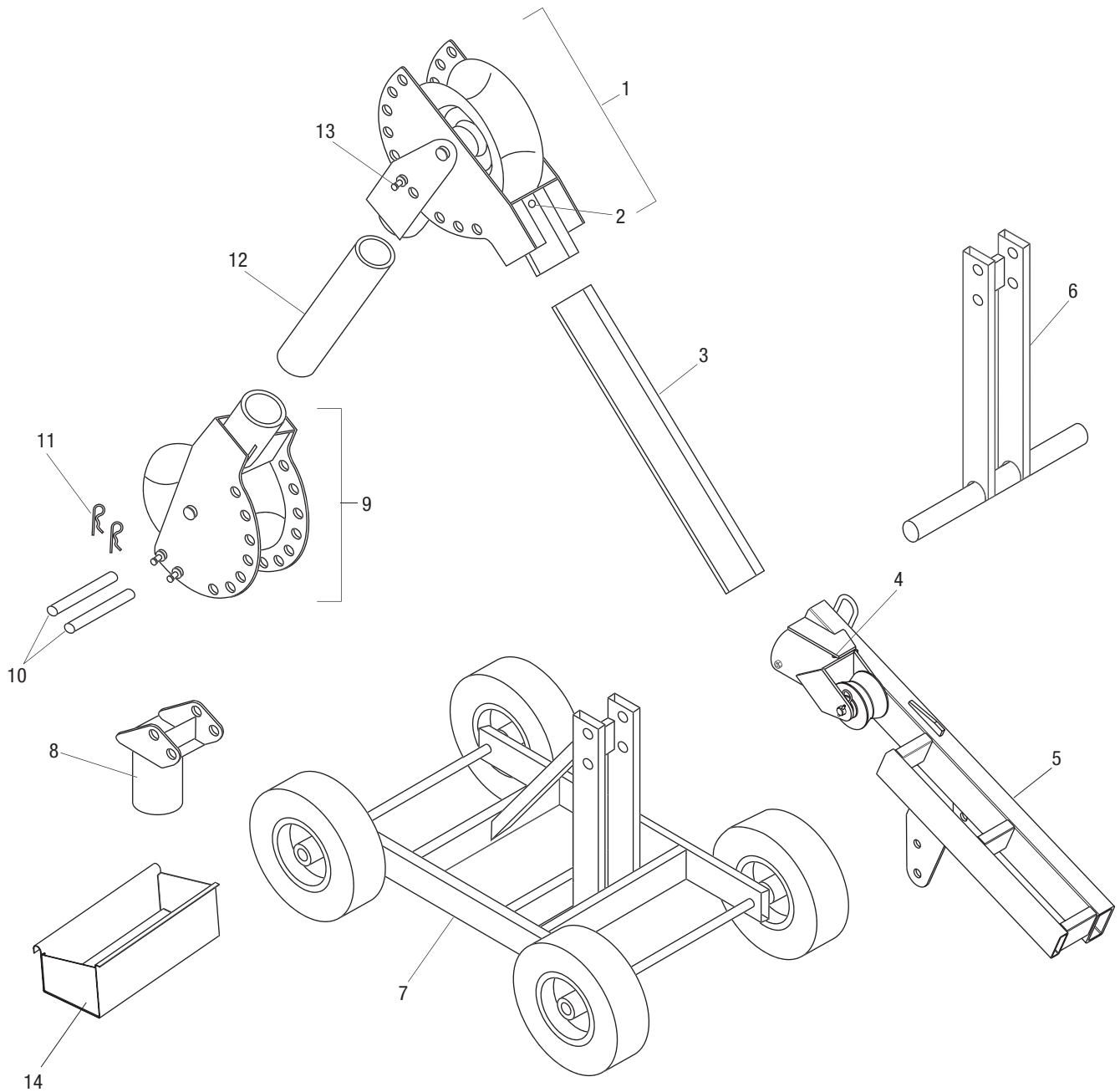
**Boom Mount Adapter**

- 1. Frame
- 2. Shaft
- 3. Roll Pin
- 4. Hitch Pin Clip
- 5. Hex Screw
- 6. Wheel Unit
- 7. Bushing

**Specifications**

|  |                 |
|--|-----------------|
| Weight.....  | 20.4 kg (45 lb) |
| Length.....  | 94 cm (37 in)   |
| Width .....  | 18 cm (7 in)    |
| Height.....  | 30 cm (12 in)   |
| Use with: Greenlee 640 and 6001 Cable Pullers only |                 |
| Load Rating .....                                  | 6500 lb         |

**Identification—VersiBoom**



**VersiBoom Components**

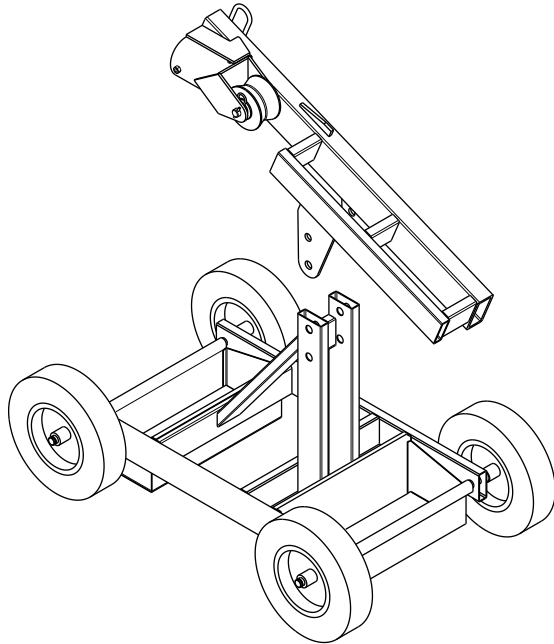
- |                          |                             |
|--------------------------|-----------------------------|
| 1. Elbow Unit (optional) | 8. Slip-in Coupler          |
| 2. Sight Hole            | 9. Nose Unit                |
| 3. 4' Boom Tube          | 10. Mounting Pins           |
| 4. Sight Hole            | 11. Hitch Pin Clips         |
| 5. Boom Mount Adapter    | 12. 3' Boom Tube (optional) |
| 6. T-Stand (optional)    | 13. Long Pin                |
| 7. Wheeled Carriage      | 14. Tray                    |

## Setup

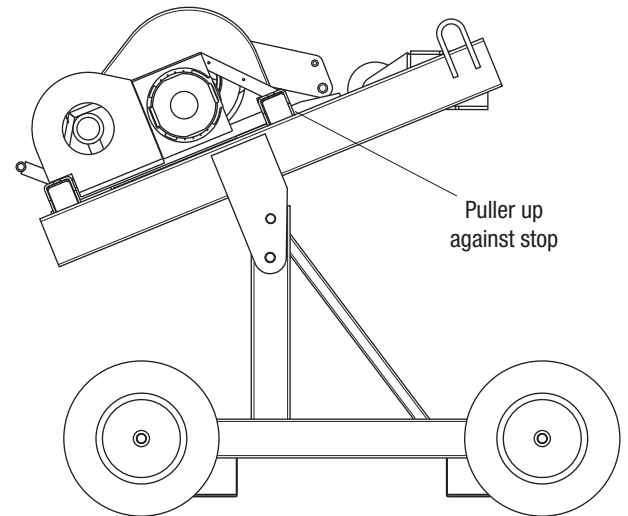
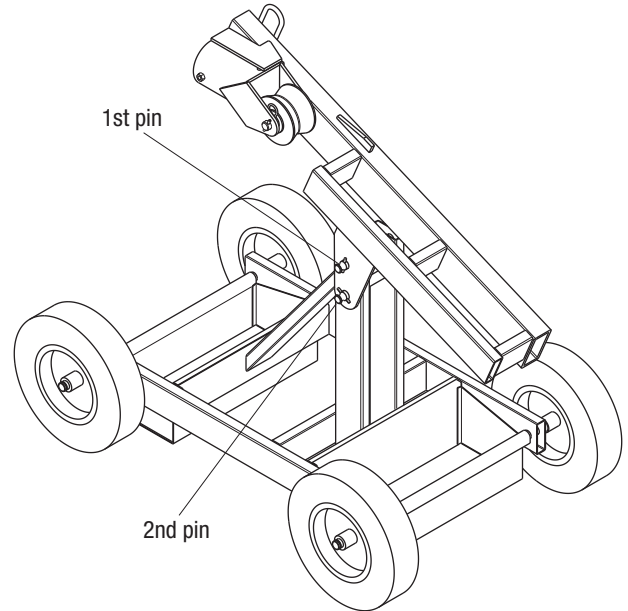
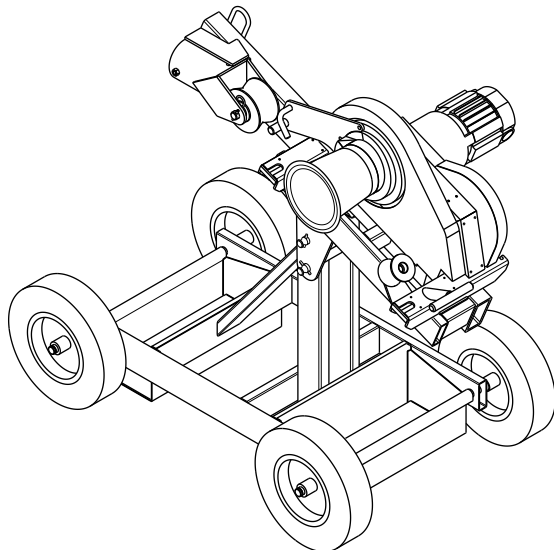
### Wheeled Carriage

Requires: Adequate clearance.  
See “Typical Setups.”

1. Mount the boom mount to the wheeled carriage. Align the boom mount holes with the top holes in the wheeled carriage, as illustrated. Install a pin through the top hole in the boom mount and wheeled carriage. Secure the pin with a hitch pin clip. Place a second pin in the lower hole.



2. Set puller on boom mount frame so that the puller mounting feet sit inside the frame opening, between the two side rails. Slide the puller up against the stop and chain it down securely.



### **⚠ WARNING**

For use only with Greenlee Model 640 and 6001 cable pullers.

Use with other pullers may result in insecure mounting and improper rope alignment.

Failure to observe this warning could result in severe injury or death.

## Setup (cont'd)

### Mounting Components

#### Boom with Nose Unit

### ⚠ WARNING

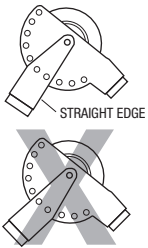
- Use only straight 3" diameter rigid steel conduit or Schedule 40 steel pipe for the boom tubes.
- Do not use boom tubes longer than 3 meters (10'). Longer booms may bend or break.

Failure to observe this warning could result in severe injury or death.

### ⚠ WARNING

Set up the elbow unit as shown. Improper setup will cause the elbow unit to collapse.

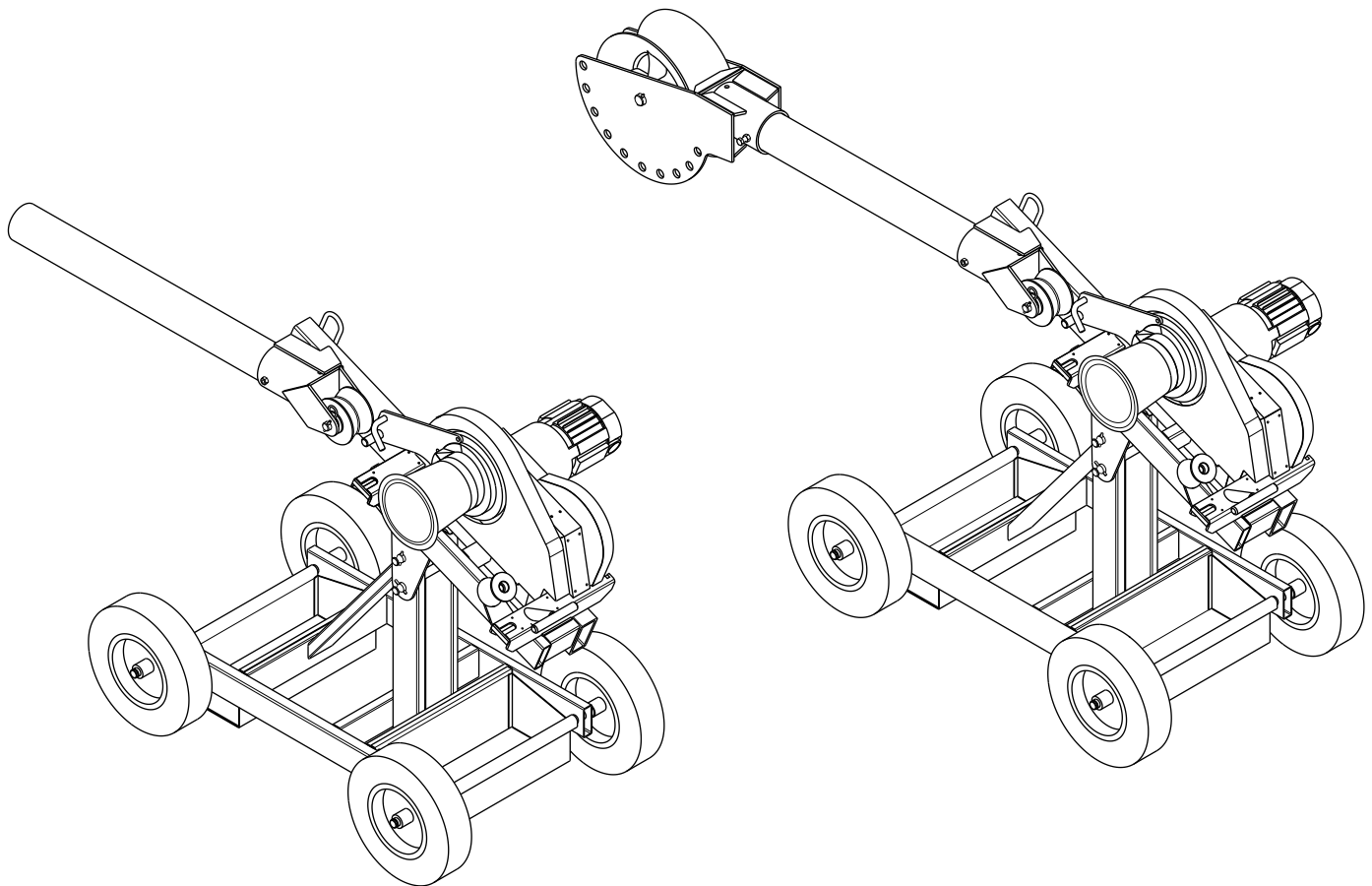
Failure to observe this warning could result in severe injury or death.



Use these boom tubes only:

- boom tubes supplied with the VersiBoom
- 3" rigid steel conduit (3 meters or 10 feet maximum)
- 3" schedule 40 pipe (3 meters or 10 feet maximum)

1. Slide the boom tube into the boom mount until the tube bottoms out. Sight the tube through the sight hole to be sure the tube is fully inserted. Tighten the set screw.
2. Slide the nose unit onto the tube until the tube bottoms out. Sight the tube through the sight hole to be sure the tube is fully inserted. Tighten the set screw.





## Setup (cont'd)

### Mounting Components (cont'd)

#### Booms with Elbow Unit and Nose Unit

### ⚠ WARNING

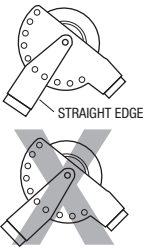
- Use only straight 3" diameter rigid steel conduit or Schedule 40 steel pipe for the boom tubes.
- Do not use boom tubes longer than 3 meters (10'). Longer booms may bend or break.

Failure to observe this warning could result in severe injury or death.

### ⚠ WARNING

Set up the elbow unit as shown. Improper setup will cause the elbow unit to collapse.

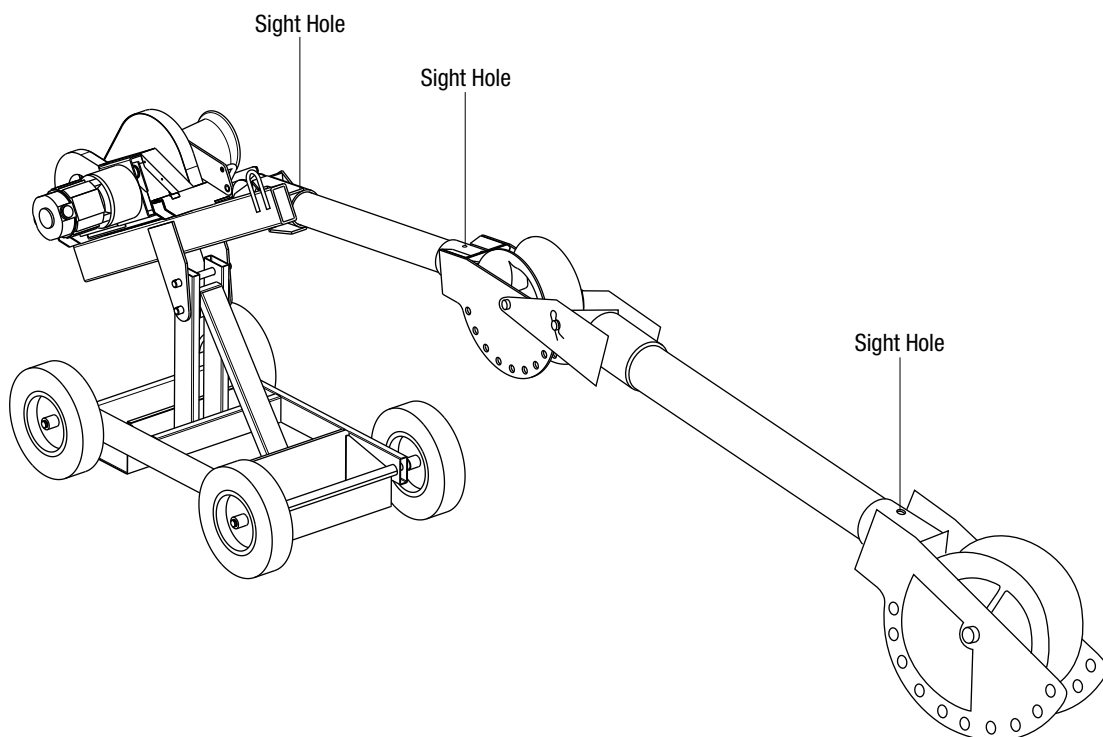
Failure to observe this warning could result in severe injury or death.



Use these boom tubes only:

- boom tubes supplied with the VersiBoom
- 3" rigid steel conduit (3 meters or 10 feet maximum)
- 3" schedule 40 pipe (3 meters or 10 feet maximum)

1. Slide the boom tube into the boom mount until the tube bottoms out. Sight the tube through the sight hole to be sure the tube is fully inserted. Tighten the set screw.
2. Slide the elbow unit onto the tube until the tube bottoms out. Sight the tube through the sight hole to be sure the tube is fully inserted. Tighten the set screw.
3. Adjust the elbow to an appropriate angle and lock it in place with a pin. Secure the pin with a hitch pin clip.
4. Slide the boom tube into the elbow unit until the tube bottoms out. Sight the tube through the sight hole to be sure the tube is fully inserted. Tighten the set screw.
5. Slide the nose unit onto the tube until the tube bottoms out. Sight the tube through the sight hole to be sure the tube is fully inserted. Tighten the set screw.



## Setup (cont'd)

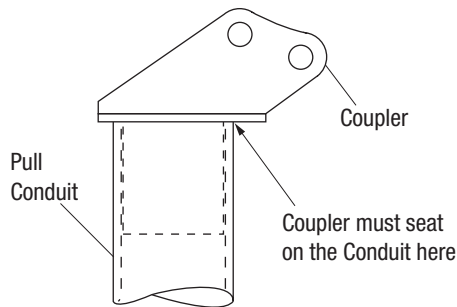
### Mounting Components (cont'd)

#### Slip-in Coupler

Requires: One pin to connect to Nose Unit

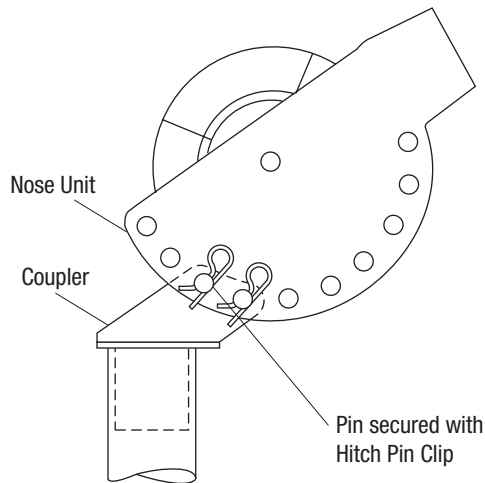
1. Select the coupler that best fits the conduit.
2. Slide the coupler into the conduit until the coupler seats on the end of the conduit.

*Note: If the coupler does not seat on the conduit, see "Straddling the Conduit with a Slip-In Coupler."*



3. Slide the nose unit over the coupler. Align any set of holes and insert one pin. Secure the pin with a hitch pin clip.

*Note: If possible, add a second pin and hitch pin clip.*

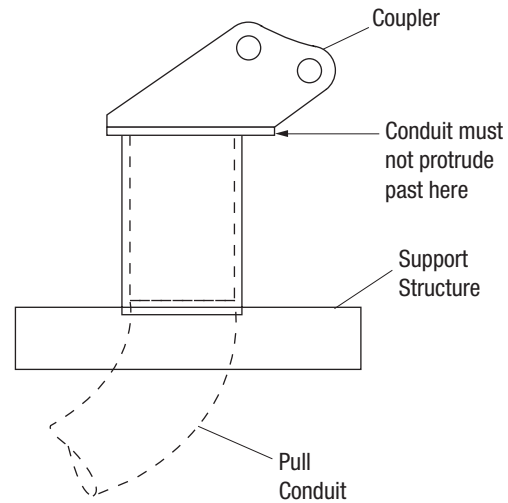


#### Straddling the Conduit with Slip-in Coupler

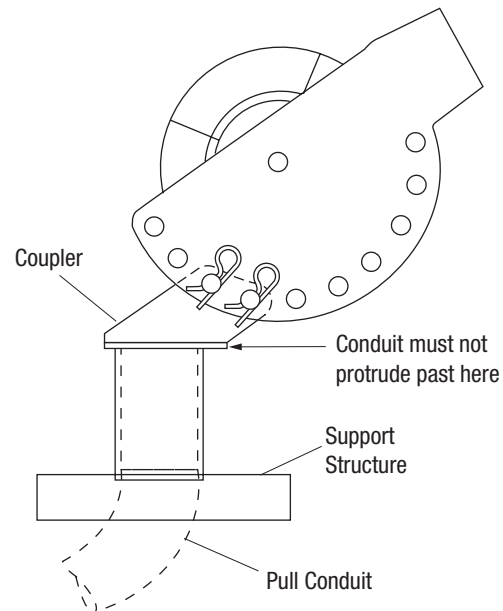
Requires: Two pins to connect to Nose Unit

1. Select a coupler at least 25 mm (1") larger than the conduit.
2. Place the coupler over the conduit.

*Note: Do not use this method if the coupler does not seat on a support structure that can support 35.6 kN (8000 lb) of force.*



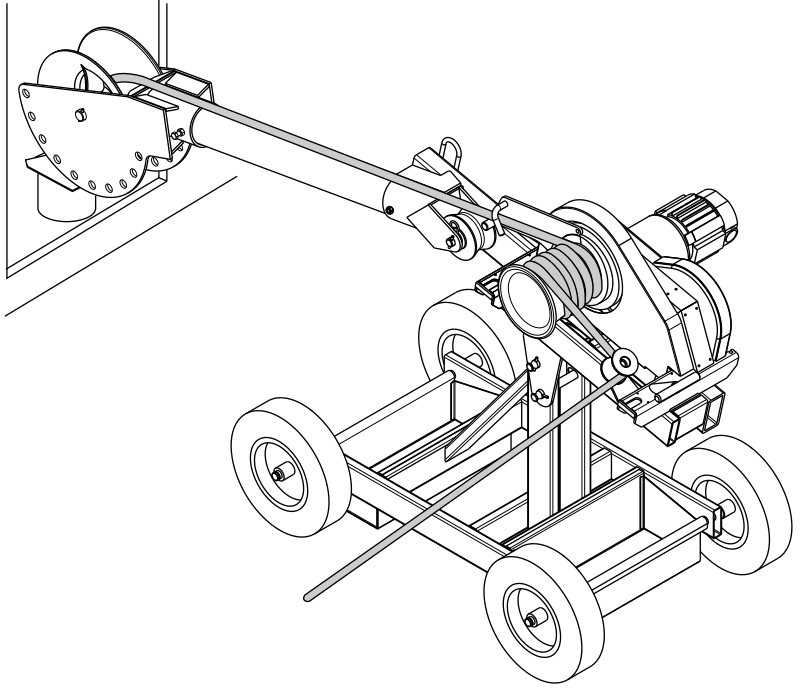
3. Slide the nose unit over the coupler. Align any two sets of holes and insert two pins. Secure the pins with hitch pin clips.



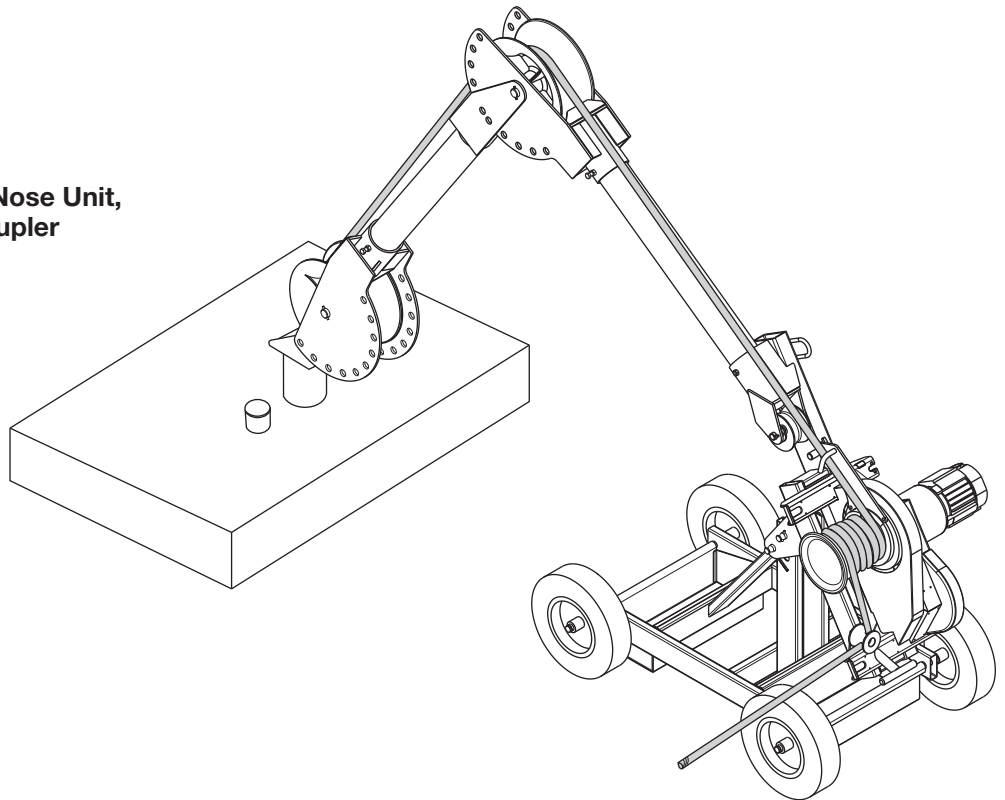
**Typical Setups**

Setups are shown without force gauge. Place the force gauge so the operator has an unobstructed view of the meter and quick access to its ON/OFF switch.

**Pulling Up Using One Boom,  
Nose Unit and Slip-in Coupler**



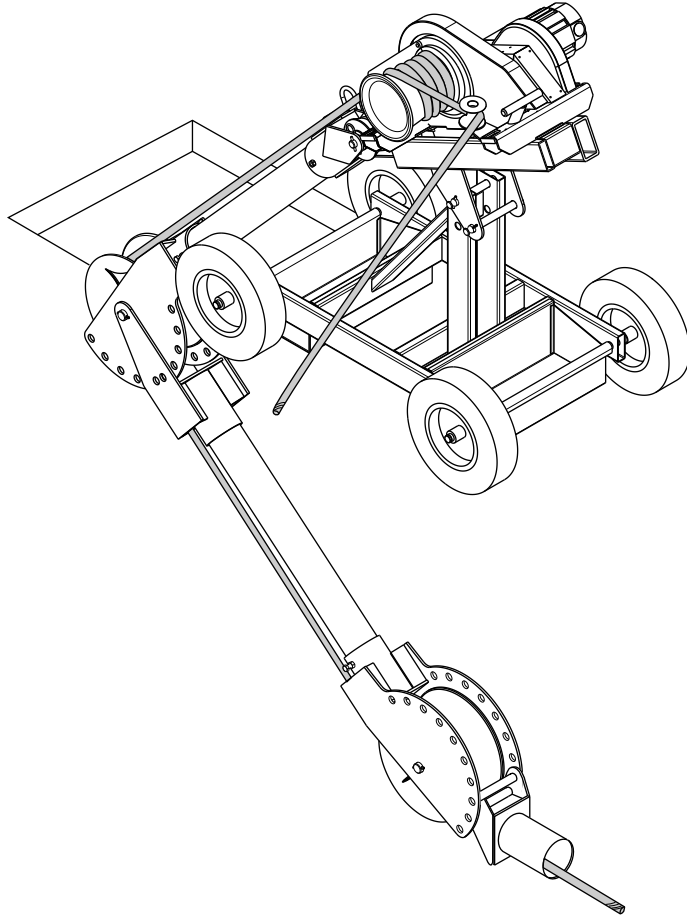
**Pulling Up Using Two Booms, Nose Unit,  
Elbow Unit and Slip-in Coupler**



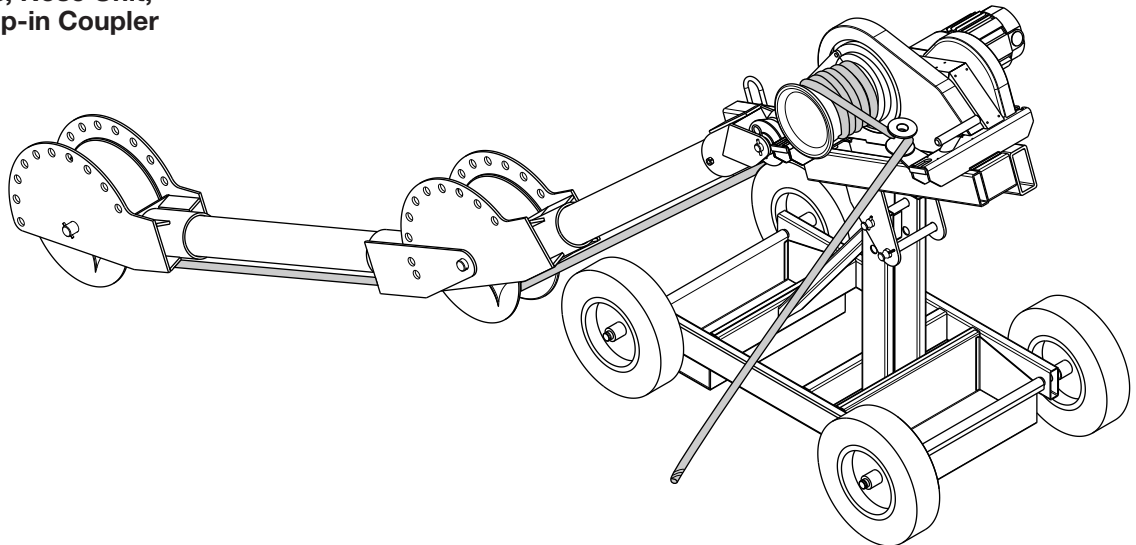
**Typical Setups (cont'd)**

Setups are shown without force gauge. Place the force gauge so the operator has an unobstructed view of the meter and quick access to its ON/OFF switch.

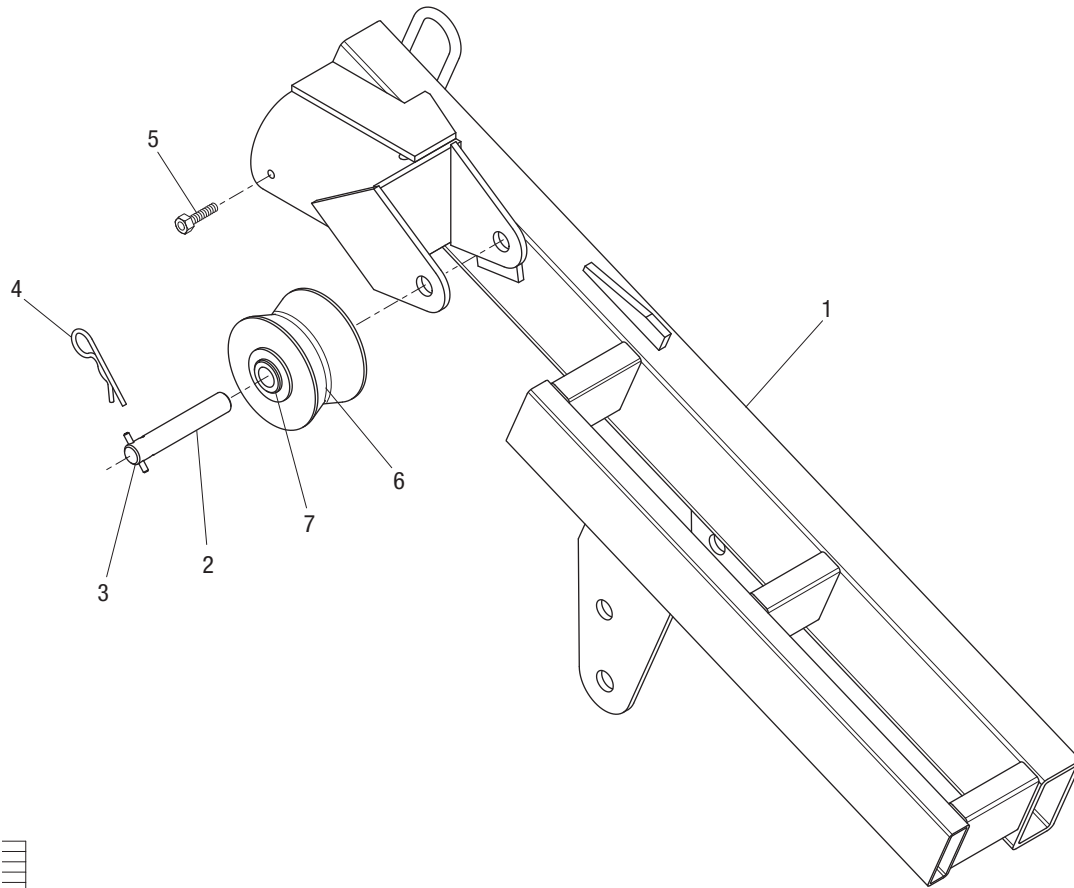
**Pulling Horizontally in Manhole  
Using Two Booms, Nose Unit,  
Elbow Unit and Slip-in Coupler**



**Pulling Horizontally in Manhole  
Using Two Booms, Nose Unit,  
Elbow Unit and Slip-in Coupler**



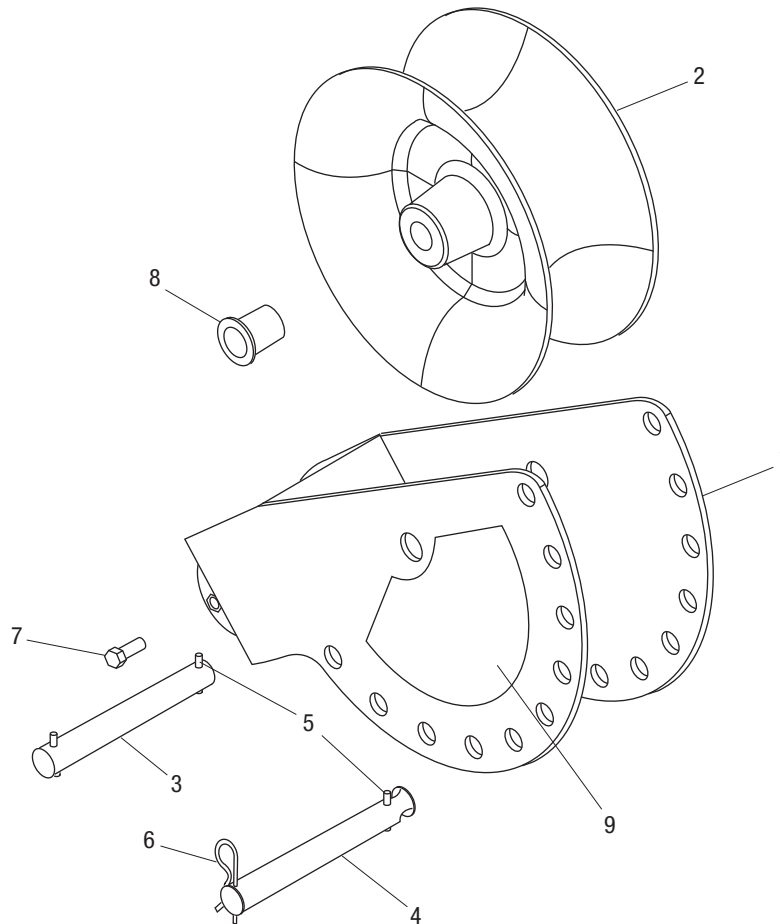
**Illustration and Parts List—Boom Mount Adapter**



| Key | Part No. | Description                      | Qty |
|-----|----------|----------------------------------|-----|
| 1   | 50028391 | Frame .....                      | 1   |
| 2   | 50007556 | Shaft.....                       | 1   |
| 3   | 90507002 | Pin, roll, .187 x 1.5" .....     | 1   |
| 4   | 90503023 | Clip, hitch pin #8 .....         | 1   |
| 5   |          | Screw, 3/8-16 x 1" hex head..... | 1   |
| 6   | 50009206 | Wheel unit .....                 | 1   |
| 7   | 50167987 | Bushing.....                     | 2   |

## Accessories

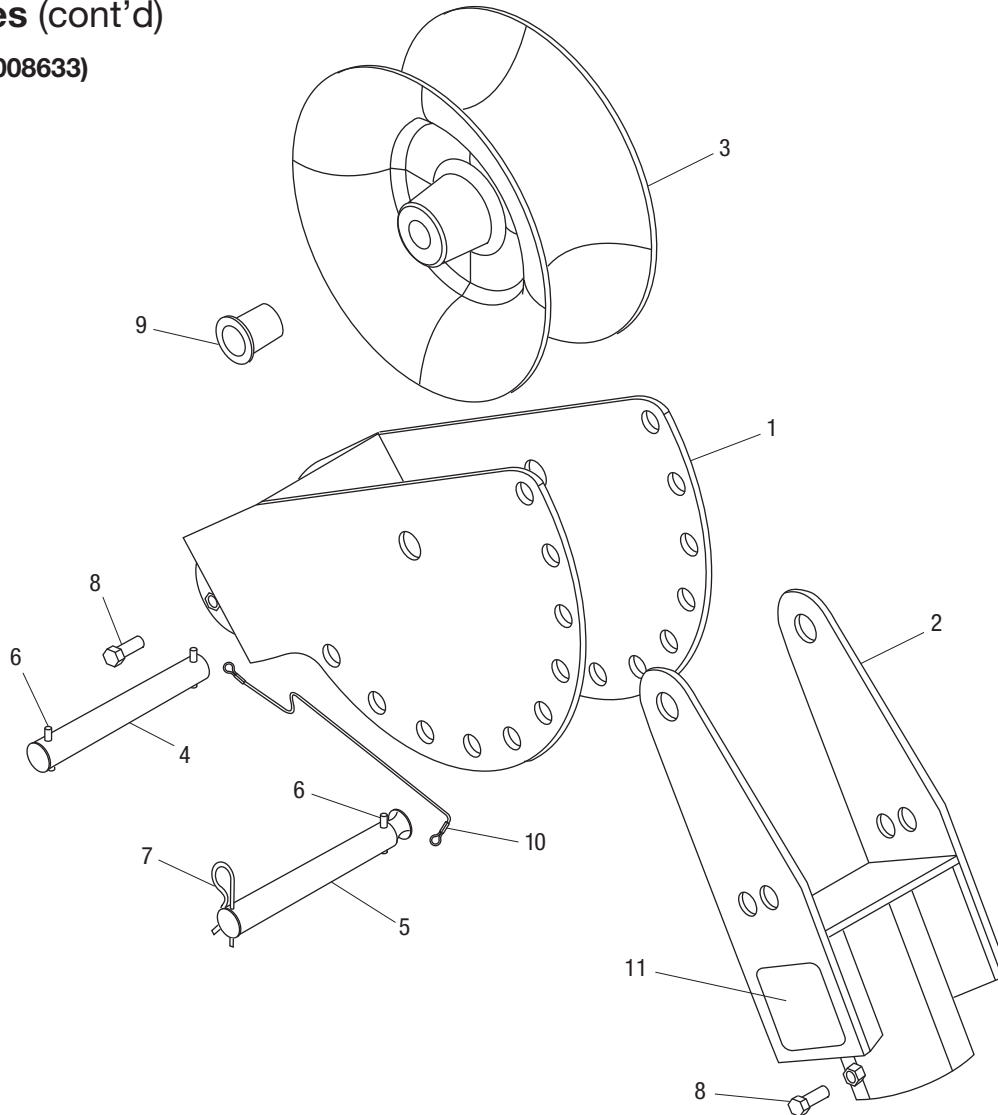
### Nose Unit (50008641)



| Key | Part No. | Description                      | Qty |
|-----|----------|----------------------------------|-----|
| 1   | 50008323 | Elbow, adjustable.....           | 1   |
| 2   | 50008439 | Sheave unit, 12".....            | 1   |
| 3   | 50007904 | Shaft, elbow.....                | 1   |
| 4   | 50007432 | Puller pin.....                  | 1   |
| 5*  | 90507002 | Pin, roll, .187 x 1.50".....     | 3   |
| 6*  | 90503023 | Clip, hitch pin #8.....          | 1   |
| 7   |          | Screw, 3/8-16 x 1" hex head..... | 1   |
| 8   | 90548388 | Bushing.....                     | 2   |
| 9   | 50010425 | Decal, Warning.....              | 1   |

### Repair Kits

|   |          |  |   |
|---|----------|--|---|
| * | 50061887 | Puller pin kit (includes one each of the items marked with an asterisk)..... | 2 |
|   | 50061925 | Elbow shaft kit (includes one of item 3 and two of item 5).....              | 2 |

**Accessories (cont'd)**
**Elbow Unit (50008633)**


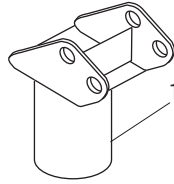
| Key | Part No. | Description                      | Qty |
|-----|----------|----------------------------------|-----|
| 1   | 50008323 | Elbow, adjustable.....           | 1   |
| 2   | 50008285 | Elbow, pivot.....                | 1   |
| 3   | 50008439 | Sheave unit, 12".....            | 1   |
| 4   | 50008366 | Shaft, pivot.....                | 1   |
| 5*  | 50008374 | Pin, elbow.....                  | 1   |
| 6*  | 90507002 | Pin, roll, .187 x 1.50".....     | 3   |
| 7*  | 90503023 | Clip, hitch pin #8.....          | 1   |
| 8   |          | Screw, 3/8-16 x 1" hex head..... | 2   |
| 9   | 90548388 | Bushing.....                     | 2   |
| 10  | 50013971 | Lanyard.....                     | 1   |
| 11  | 50010328 | Decal, warning.....              | 1   |

**Repair Kits**

|   |          |  |   |
|---|----------|--|---|
| * | 50061941 | Elbow pins kit (includes one each of the items marked with an asterisk)..... | 1 |
|   | 50061950 | Pivot pins kit (includes one of item 4 and two of item 6).....               | 1 |

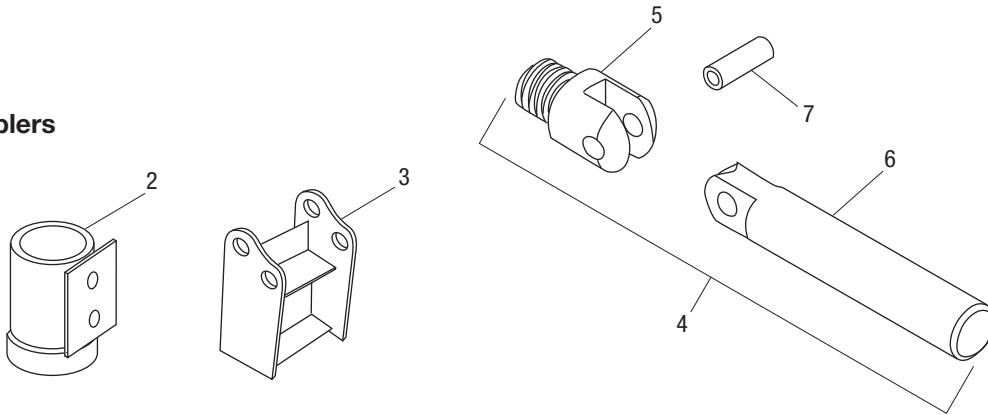
## Accessories (cont'd)

### Slip-in Couplers



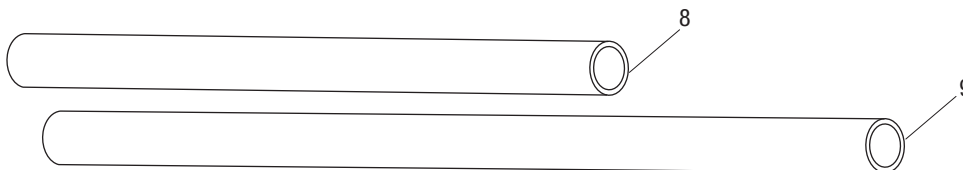
| Key | Part No. | Description  | Qty |
|-----|----------|--|-----|
| 1   | 50008048 | Slip-in coupler for 2-1/2" conduit (EMT, IMC or Rigid) ..... | 1   |
| 1   | 50008110 | Slip-in coupler for 3" conduit (EMT, IMC or Rigid).....      | 1   |
| 1   | 50008153 | Slip-in coupler for 3-1/2" conduit (EMT, IMC or Rigid) ..... | 1   |
| 1   | 50008200 | Slip-in coupler for 4" conduit (EMT, IMC or Rigid).....      | 1   |
| 1   | 50008277 | Slip-in coupler for 5" conduit (EMT, IMC or Rigid).....      | 1   |

### Screw-on Couplers



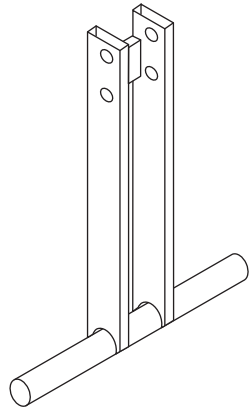
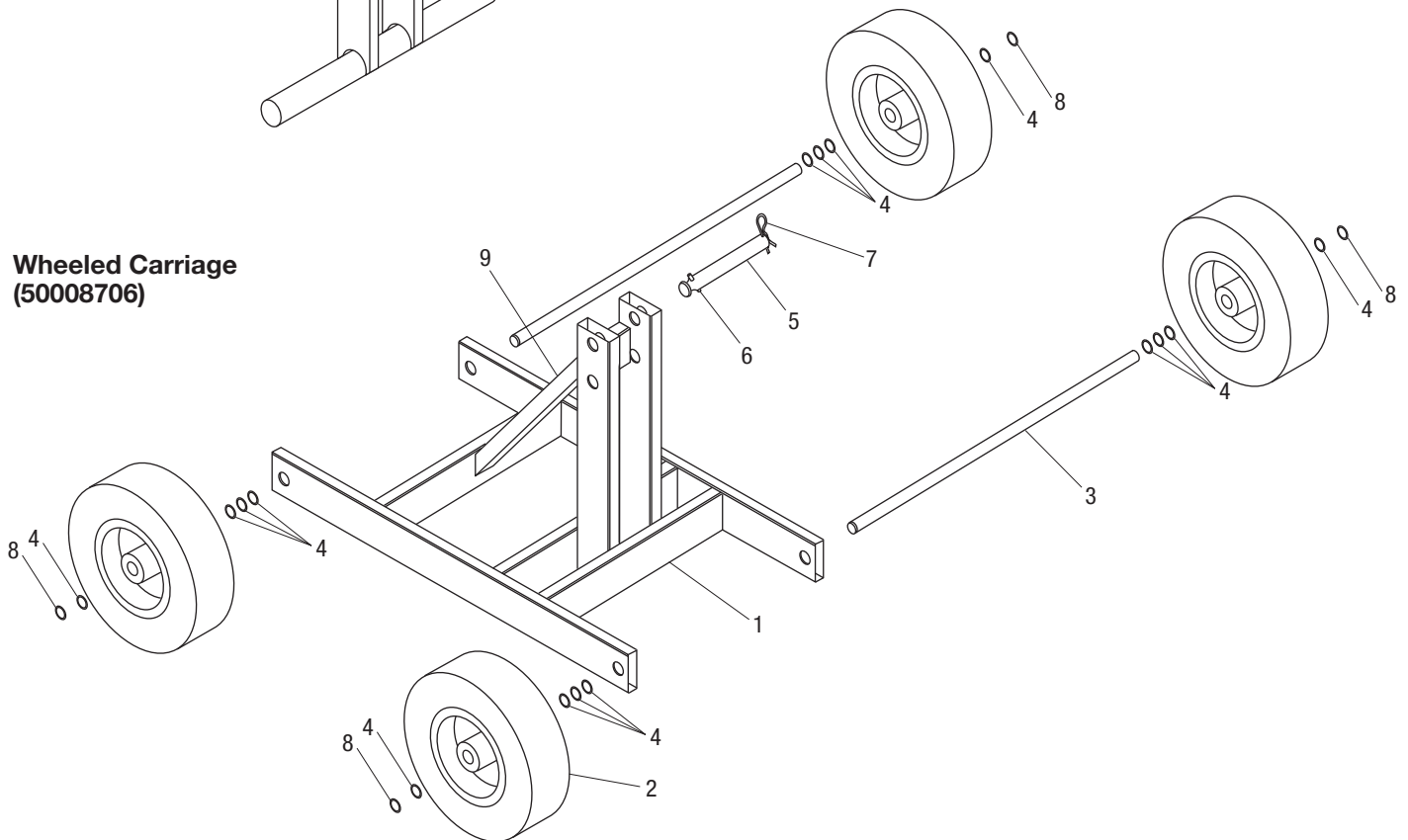
| Key | Part No. | Description   | Qty |
|-----|----------|---|-----|
| —   | 50008684 | Screw-on coupler set for 2-1/2", 3", 3-1/2" & 4" conduit (includes items 2–4) |     |
| 2   | 50036610 | Screw-on coupler for 2" IMC or Rigid only .....                               | 1   |
| 2   | 50007815 | Screw-on coupler for 2-1/2" IMC or Rigid only .....                           | 1   |
| 2   | 50007823 | Screw-on coupler for 3" IMC or Rigid only .....                               | 1   |
| 2   | 50007831 | Screw-on coupler for 3-1/2" IMC or Rigid only .....                           | 1   |
| 2   | 50007840 | Screw-on coupler for 4" IMC or Rigid only.....                                | 1   |
| 3   | 50007998 | Adapter for screw-on IMC or Rigid only .....                                  | 1   |
| 4   | 50008773 | Screw assembly (includes items 5–7) .....                                     | 2   |
| 5   | 50007955 | Screw .....   | 1   |
| 6   | 50007963 | Handle.....   | 1   |
| 7   | 90527178 | Roll pin .....  | 1   |

### Boom Tubes



| Key | Part No. | Description        | Qty |
|-----|----------|--------------------|-----|
| 8   | 50008358 | 3' Boom tube ..... | 1   |
| 9   | 50007912 | 4' Boom tube ..... | 1   |



**Accessories (cont'd)**
**T-Stand (50008676)**

**Wheeled Carriage (50008706)**


| Key | Part No. | Description                                       | Qty |
|-----|----------|---|-----|
| 1   | 50007700 | Frame .....                                       | 1   |
| 2   | 90533909 | Wheel, rubber, 12 x 3 .....                       | 4   |
| 3   | 50007688 | Axle .....  | 2   |
| 4   | 90517407 | Washer, flat, .812 x 1.50 x .140.....             | 16  |
| 5*  | 50007432 | Puller pin .....                                  | 2   |
| 6*  | 90507002 | Pin, roll, .187 x 1.50" .....                     | 2   |
| 7*  | 90503023 | Clip, hitch pin #8 .....                          | 2   |
| 8   | 90515285 | Retaining ring, .750", Truarc #5160-75-S-PP ..... | 4   |
| 9   | 50010638 | Decal, warning .....                              | 1   |

**Repair Kits**

|   |          |   |   |
|---|----------|---|---|
| * | 50061887 | Puller pin kit (includes one each of the items marked with an asterisk) ..... | 2 |
|   | 52066231 | Wheel service kit (set of 4) .....  | 1 |
|   | 52066332 | Wheel service kit (single wheel) .....  | 1 |



4455 Boeing Drive • Rockford, IL 61109-2988 • USA • 815-397-7070  
©2019 Greenlee Tools, Inc. • An ISO 9001 Company

[www.greenlee.com](http://www.greenlee.com)

**USA** Tel: 800-435-0786  
Fax: 800-451-2632

**Canada** Tel: 800-435-0786  
Fax: 800-524-2853

**International** Tel: +1-815-397-7070  
Fax: +1-815-397-9247