

ADL4

4" Architectural LED Downlight

Product Description

NICOR's architectural LED downlights are energy efficient and environmentally responsible, allowing you to light larger commercial spaces with peace of mind. The ADL offers high efficacy and exceptional color rendering, making this luminaire an ideal choice in places such as corridors, conference rooms, lobbies, and large offices. The ADL is available in a range of color temperatures with lumen options to fit any project.

Construction

- Durable galvanized steel frame, with architectural mounting bracket
- Aluminum heat sink routes heat away from electrical components

Optical System

- Highly reflective optical cone and textured diffuser create a uniform distribution of light

Electrical

- Utilizes high performing LED's with 88 CRI
- Driver delivers full-range dimming from 0 - 10VDC
- External driver ensures steady performance and long lifespan
- Operating temperature rating of 0°F to 120°F (-18°C to 49°C)
- 120-277V Input voltage
- TM-21 Projected L70(10K) life > 50,000 hrs
- LM-80 testing performed in accordance to IESNA standards

Finish

- Satin reflector with white trim ring

Installation

- Butterfly-style architectural mounting brackets accept C-channel or flat bar hangers as well as 1/2" EMT for tie-down to ceiling grid

Warranty

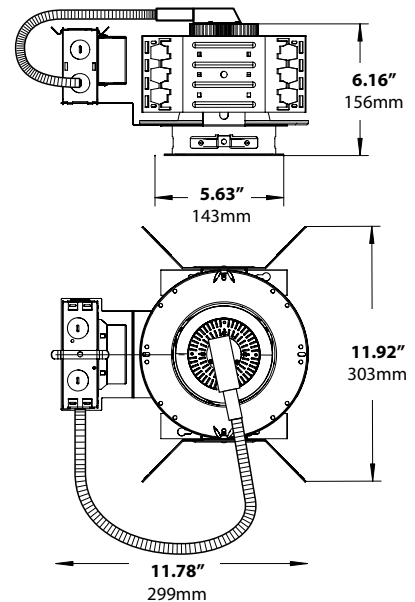
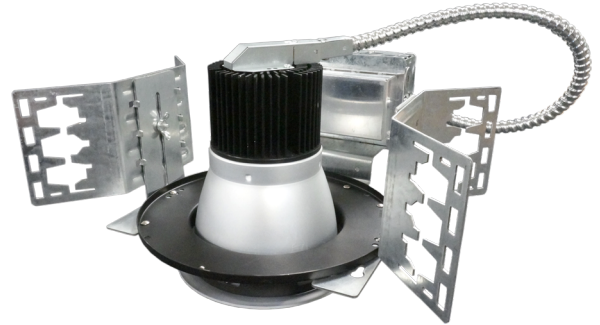
- 5-year limited system warranty standard
- Warranty does not cover product failure due to an overvoltage event (power surge.)
For installations where power surge may be possible, NICOR recommends installing additional surge protection at the fixture or electrical distribution panel

Project

Catalog

Type

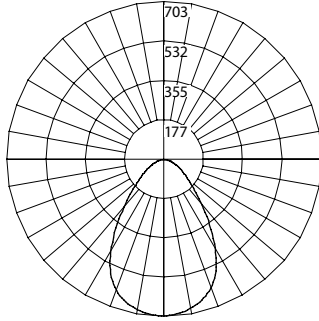
Date



Photometric Data

ADL4 3500K 15W

Input Voltage (VAC)	120-277V
System Level Power (W)	16.7
Delivered Lumens (Lm)	1106
System Efficacy (Lm/W)	66.2
Correlated Color Temp (K)	3462
Color Rendering Index (CRI)	88
Beam Angle	71.8°
Spacing Criteria	1.06



Intensity Summary (Candle Power)	
Angle	Mean CP
0	708
5	704
15	665
25	564
35	371
45	202
55	114
65	63
75	30
85	6
95	0

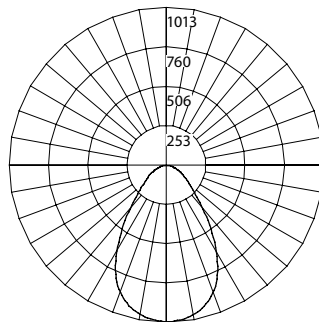
CCT Data Multiplier	
ADL4-1015-UNV-40K	1.031
ADL4-1015-UNV-50K	1.063

Cone of Light Tabulation		
Mounted height (Feet)	Footcandles Beam Center	Diameter (Feet)
4	44.3	4.3
6	19.7	7.2
8	11.1	8.5
10	7.1	10.5
12	4.9	12.8
14	3.6	14.7
16	2.8	16.0

Zonal Lumen Summary		
Zone	Lumens	% of Luminaire
0-30	510	46.2%
0-40	742	67.1%
0-60	1003	90.8%
0-90	1106	100%
90-180	0	0.0%
0-180	1106	100%

ADL4 3500K 21W

Input Voltage (VAC)	120-277V
System Level Power (W)	23.2
Delivered Lumens (Lm)	1533
System Efficacy (Lm/W)	66.1
Correlated Color Temp (K)	3473
Color Rendering Index (CRI)	88
Beam Angle	69.7°
Spacing Criteria	1.04



Intensity Summary (Candle Power)	
Angle	Mean CP
0	1011
5	1004
15	942
25	781
35	500
45	267
55	157
65	93
75	47
85	10
95	0

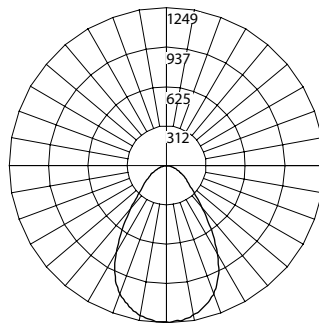
CCT Data Multiplier	
ADL4-1021-UNV-40K	1.031
ADL4-1021-UNV-50K	1.063

Cone of Light Tabulation		
Mounted height (Feet)	Footcandles Beam Center	Diameter (Feet)
4	63.2	4.2
6	28.1	6.3
8	15.8	8.4
10	10.1	10.4
12	7.0	12.5
14	5.2	14.4
16	4.0	16.5

Zonal Lumen Summary		
Zone	Lumens	% of Luminaire
0-30	714	46.6%
0-40	1026	67.0%
0-60	1378	89.9%
0-90	1533	100%
90-180	0	0.0%
0-180	1533	100%

ADL4 3500K 28W

Input Voltage (VAC)	120-277V
System Level Power (W)	30.6
Delivered Lumens (Lm)	1884
System Efficacy (Lm/W)	61.6
Correlated Color Temp (K)	3467
Color Rendering Index (CRI)	88
Beam Angle	69.8°
Spacing Criteria	1.06



Intensity Summary (Candle Power)	
Angle	Mean CP
0	1244
5	1233
15	1160
25	972
35	619
45	322
55	192
65	115
75	58
85	12
95	0

CCT Data Multiplier	
ADL4-1028-UNV-40K	1.031
ADL4-1028-UNV-50K	1.063

Cone of Light Tabulation		
Mounted height (Feet)	Footcandles Beam Center	Diameter (Feet)
4	77.7	4.3
6	34.6	6.4
8	19.4	8.5
10	12.4	10.6
12	8.6	12.8
14	6.3	14.8
16	4.9	16.8

Zonal Lumen Summary		
Zone	Lumens	% of Luminaire
0-30	884	46.9%
0-40	1269	67.4%
0-60	1694	89.9%
0-90	1884	100%
90-180	0	0.0%
0-180	1884	100%

Fixture tested per LM-79-08. Photometric data is of the performance of a representative fixture. Results may vary in the field.

Photometric Data

Performance Data

Model Number	Lumens	Watts	Lumens/Watt
ADL4-1015-UNV-35K	1106	16.7	61.6
ADL4-1015-UNV-40K	1140	16.7	63.5
ADL4-1015-UNV-50K	1176	16.7	65.4
ADL4-1021-UNV-35K	1533	23.2	61.6
ADL4-1021-UNV-40K	1581	23.2	63.5
ADL4-1021-UNV-50K	1630	23.2	65.4
ADL4-1028-UNV-35K	1884	30.6	61.6
ADL4-1028-UNV-40K	1942	30.6	63.5
ADL4-1028-UNV-50K	2003	30.6	65.4

Recommended Dimmers*

Lutron NTSTV
 Lutron DVSTV
 Cooper SF10P
 Legrand RH4FBL3PW

**Not a complete list. Check compatibility before installation.*

Ordering Information

Example: ADL4-1028-UNV-40K-E1

Series	Watts	Voltage	CCT's	Emergency
ADL4	1015 (15W)	UNV (120-277V)	35K (3500 K)	E1 (EMB45)
	1021 (21W)		40K (4000 K)	E2 (EMB80)
	1028 (28W)		50K (5000 K)*	E3 (EMB250)

Specifications and dimensions subject to change without notice.

* Only available as special order. Contact NICOR for more info.

Accessories

accessories sold separately

24" C-Channel Bar Hanger	17208
Universal C-Channel Bar Hanger for Mounting to Stud or T Grid	ADJUSTCCHNLHANGERBAR