

ARCHITECTURAL & ENGINEERING SPECIFICATION

Polished chrome-plated double laboratory faucet with integral shank, quarter turn ceramic disc cartridges and a 6" [152mm] centerline rigid gooseneck spout with vacuum breaker. Unit is furnished with a standard 2.2 GPM [8.3 LPM] pressure compensating aerator, 2-1/2" [64mm] vandal-resistant color-coded metal lever handles, mounting hardware and stainless steel flex connection hoses.

Zurn Lead Free products (-XL) is the line of durable, high quality brass faucets and fixtures that are designed and manufactured to comply with Section 1417 of the Safe Drinking Water Act (SDWA) which mandates the weighted average lead content of no more than 0.25% of the wetted surface.

PRODUCT FEATURES

- Heavy-duty Quarter Turn Ceramic Disc Cartridge
- Chrome-plated Cast Brass Body with Integral Shank
- Stainless Steel Flex Connection Hoses
- 2-1/2" Vandal-resistant Color-coded Metal Lever Handles

COMPLIANCE AND CERTIFICATION:

- Complies with ASME A112.18.1 / CSA B125.1
- Lead Free Compliant
- ADA Compliant



AERATOR OPTIONS

	FLOWRATE GPM [LPM]	VANDAL RESISTANT	PRESSURE COMPENSATION	OUTLET TYPE
-2F	2.2 [8.3]	☑	☑	Aerator
-3F	0.5 [1.9]	☑	☑	Spray
-4F	2.2 [8.3]	☑	☑	Laminar
-6M	2.0 [7.6]			Serrated Tip
-7F	1.0 [3.8]		☑	Spray
-16F	1.0 [3.8]	☑	☑	Spray
-17F	1.5 [5.7]	☑	☑	Aerator
-18F	1.5 [5.7]	☑	☑	Laminar
-22F	1.0 [3.8]	☑		Laminar

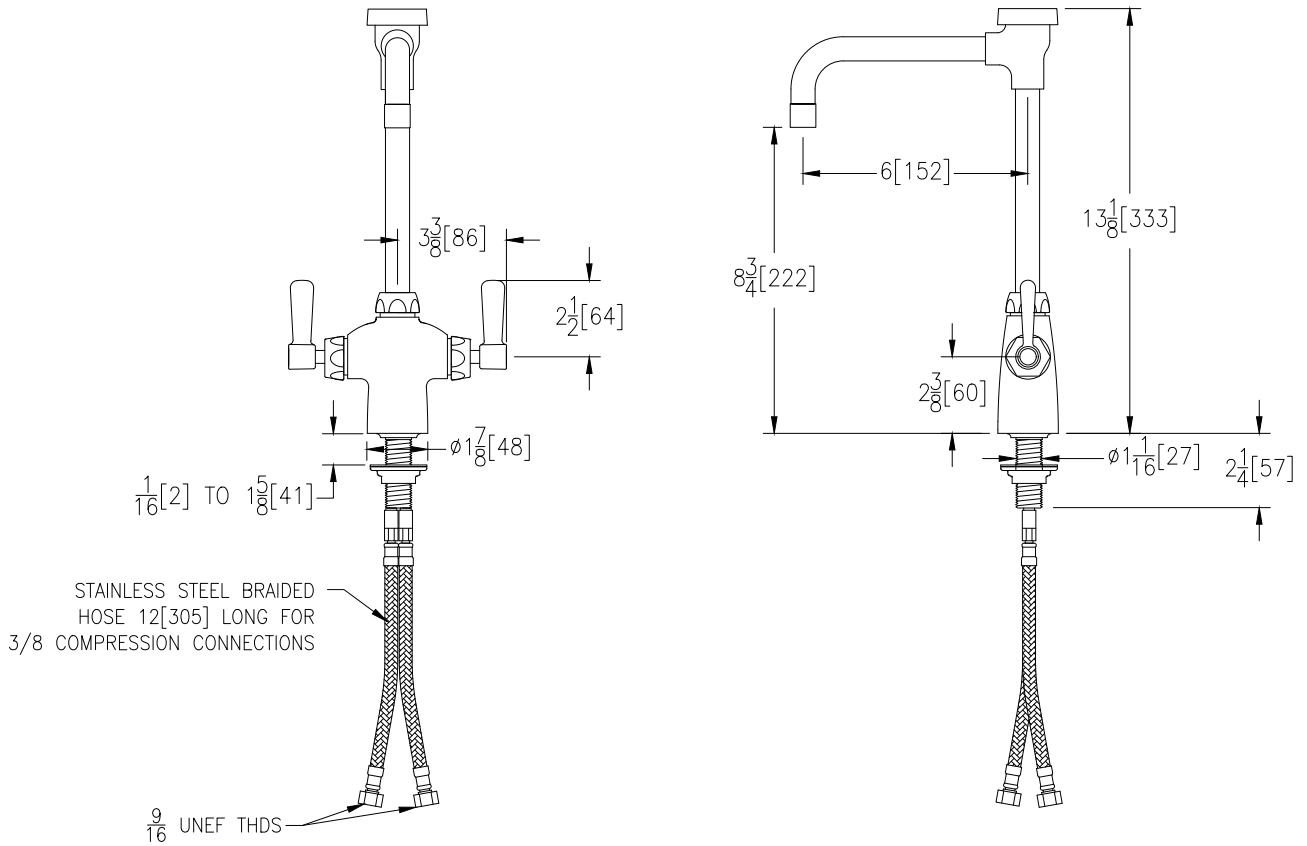
SUFFIX OPTIONS

- AR Anti-Rotation Pins
- CST Copper Supply Tubes
- FC 2.0 GPM [7.6 LPM] Laminar Flow Control in Base of Spout
- G 1-1/4" [32mm] Grid Strainer Drain
- MY Mixing Yoke Assembly Instead of Braided Hoses
- MYCS Mixing Yoke with Check Stops
- Z* 1-1/4" [32mm] Cast Brass P-trap with a 7-1/2" [191mm] Long 17-Gauge Wall Bend

ARCHITECTURAL & ENGINEERING APPROVAL

The information contained in this document is subject to change without notice. Please contact Zurn for most up to date information.

Rough-in/Overview dimensions



NOTE: All dimensions are for reference only. Do not use for pre-plumbing.