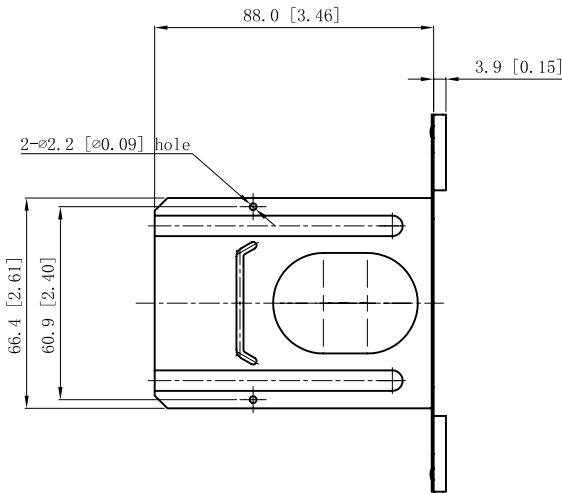
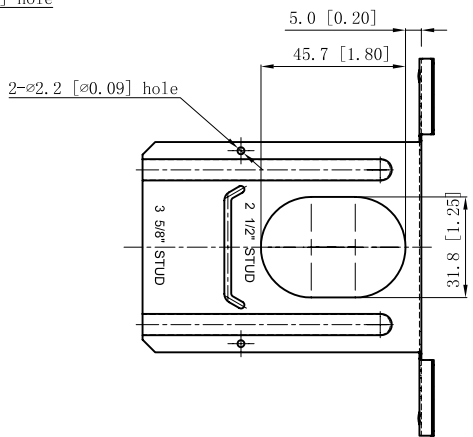
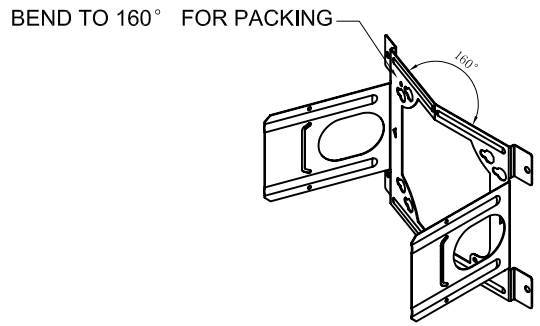
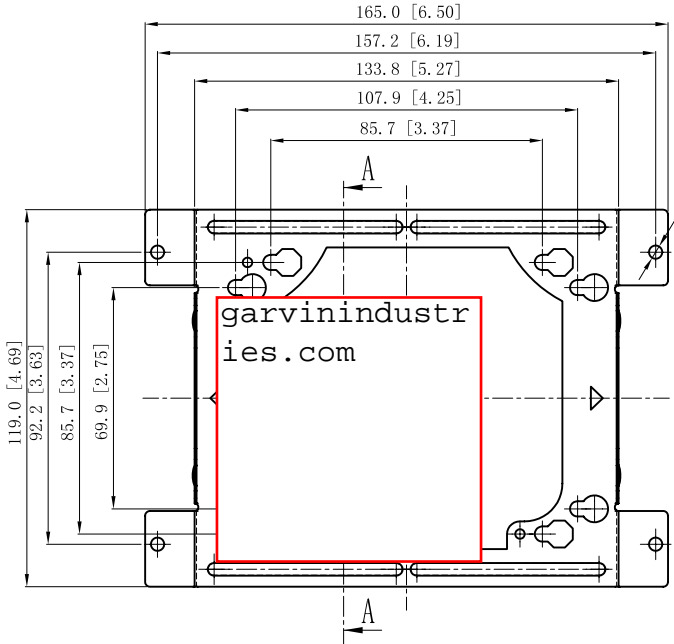


SIDES	BOTTOM
Material: Steel-0.024"-G60 Galvanized	



CUTAWAY VIEW A-A



DESCRIPTION
TRADE REFERENCE TERMS

This data sheet is for reference only .GARVIN INDUSTRIES reserves the right to make changes to the design without prior notice.

STANDARD PACKING	GARVIN INDUSTRIES		
	UNIVERSAL BOX BRACKET		
25 PCS	TITLE	UNIVERSAL BOX BRACKET	
	SIZE	DWG NO.	REV
A4	BB4-26	DATA SHEET	